



**SMART DETAILS
ACCESSORIES** | SYSTEM-INDEPENDENT



ACCESSORIES

SYSTEM-INDEPENDENT

**SMART
DETAILS
GREAT
SOLUTIONS!**

 **scafom-rux**



Management

Volker Rux
Managing Director

+49 (0)2331 47 09-100
+49 (0)151 16 20 65 00
volker.rux@scafom-rux.de



Engineering

Michael Nordmeier
Technical Manager

+49 (0)2331 47 09-310
+49 (0)170 91 67 007
michael.nordmeier@scafom-rux.de



Rental

Stephan Winterhoff
Rental Manager

+49 (0)2331 47 09-114
+49 (0)171 56 57 432
stephan.winterhoff@scafom-rux.de



Heiko Ulrich
Rental

+49 (0)2331 47 09-205
heiko.ulrich@scafom-rux.de



Marco Hiby
Sales Management

+49 (0)2331 47 09-200
+49 (0)151 16 20 65 01
marco.hiby@scafom-rux.de



Anja Brüne-Bernard
Technical Department

+49 (0)2331 47 09-320
anja.brue-ne-bernard@scafom-rux.de



Philine Lüling
Rental

+49 (0)2331 47 09-204
philine.lueling@scafom-rux.de



NEWS,
INFORMATION,
DOWNLOADS,
MOVIES, EVENTS,
WORKSHOPS,
PROJECTS:
SCAFOM-RUX.DE



Sales Department

Rainer Krüger
Sales Manager Germany

+49 (0)2331 47 09-210
+49 (0)151 16 20 65 03
rainer.krueger@scafom-rux.de



Udo Lüling
Sales

+49 (0)2331 47 09-230
udo.lueling@scafom-rux.de



Lars Kretzschmar
Sales

+49 (0)2331 47 09-251
lars.kretzschmar@scafom-rux.de



Marina Calamonte
Sales

+49 (0)2331 47 09-253
marina.calamonte@scafom-rux.de



Tim Tempelmann
Sales

+49 (0)2331 47 09-258
tim.tempelmann@scafom-rux.de



Daniel Hesbacher
Sales

+49 (0)2331 47 09-255
daniel.hesbacher@scafom-rux.de



Sales Representatives

Andreas Hoffmann
PLZ: 0/98-99

+49 (0)351 33 602-65
+49 (0)151 16 20 41 08
andreas.hoffmann@scafom-rux.de



Frank Wiemann
PLZ: 50-56/580-585

+49 (0)2331 47 09-242
+49 (0)151 16 20 41 07
frank.wiemann@scafom-rux.de



Wulf D. Basse
PLZ: 1/23923-23996

+49 (0)30 515888-22
+49 (0)172 2121100
wulf.basse@scafom-rux.de



Jörn Winkler
PLZ: 2 (w/o 23923-23996)

+49 (0)441 68 26 82
+49 (0)151 16 20 65 04
joern.winkler@scafom-rux.de



Helmut Blauth
PLZ: 6/7/88-89

+49 (0)160 90 14 28 51
helmut.blauth@scafom-rux.de



Mirko Langer
PLZ: 80-87/90-97

+49 (0)8664 32 50 42
+49 (0)151 14 77 39 22
mirko.langer@scafom-rux.de



Thomas Venn
PLZ: 3/48-49/57-59/586-589

+49 (0)2331 47 09-245
+49 (0)151 16 20 41 09
thomas.venn@scafom-rux.de



Boris Hohl
PLZ: 40-47 Rheinland Süd

+49 (0)2331 47 09-243
+49 (0)151 14 77 39 20
boris.hohl@scafom-rux.de



René van Elten
PLZ: 40-47 Rheinland Nord

+49 (0)2331 47 09-244
+49 (0)151 14 77 39 23
rene.vanelten@scafom-rux.de

Stock Locations

Central Depot Hagen

Neue Str. 7
58135 Hagen
Tel +49 (0)2331 47 09-0
Fax +49 (0)2331 47 09-202
info@scafom-rux.de

Depot Berlin

Zobtener Straße 73
10317 Berlin-Lichtenberg
Tel +49 (0)30 51 58 88-22

Depot Hamburg

Kulemannstieg 5
22457 Hamburg
Tel +49 (0)40 54 80 57 48

Depot Leipzig

An der Bahn 11
04319 Leipzig-Engelsdorf
Tel +49 (0)341 251 38 05

Depot München

Krautgartenstr. 36
85241 Hebertshausen
Tel +49 (0)175 50 76 708

ACCESSORIES - SYSTEM-INDEPENDENT

02 | CONTACT PERSONS

03 | CONTENTS

04-05 | ADVANTAGES

PRICE LIST

06-79 | PRODUCTS

07-21 | TUBE/COUPLER SCAFFOLD

07-08 | HEIGHT ADJUSTMENT

09-10 | CASTORS

11 | TUBES

12-18 | COUPLERS

19-21 | DECKS

22-35 | BRIDGING

22-27 | LATTICE GIRDERS AND ACCESSORIES

25-27 | TUBE CONNECTORS

28-29 | ALUMINIUM GIRDERS

30 | ALUMINIUM GANGWAYS

31-33 | MODULAR GIRDER K-FRAME

34-35 | TRIANGULAR PROPS

36-41 | LADDERS AND STAIRS

37 | VERTICAL LADDERS

37-38 | ALUMINIUM PLATFORM STAIRWAY

39 | STEEL SITE STAIRWAY

39-41 | STAIR BRACKETS

42-47 | ANCHORAGE MATERIAL

43 | TESTING DEVICES

43 | SHORE TUBES

43-44 | RING SCREWS AND ACCESSORIES

44 | COVERING CAPS

45 | PERMANENT ANCHORS

46-47 | SPECIAL ANCHORS

48-57 | SCAFFOLD CLADDING

49 | SCAFFOLD TARPULINS + ATTACHMENT MATERIAL

50 | PROTECTIVE NETS + ATTACHMENT MATERIAL

51 | WEATHER PROTECTION TRANSOMS

51-53 | KEDER TARPULINS + KEDER RAILS

54-56 | SCAFFGUARD – CLADDING SYSTEM

57 | SCAFFPLANK – PROTECTION SYSTEM

80-81 | SCAFOM-RUX SERVICE | APP | ANIMATIONS

82-83 | PRODUCT OVERVIEW

84-85 | RENTAL

GOOD TO KNOW**OPTIMAL EXTENSIONS**

Make the best out of your scaffolding – with scafom-rux accessories you will be extending your options.

Wide offer

Product diversity, where it makes sense – for example with couplers

Innovative developments

New products in line with user input and evaluations

Proven quality

Tested articles from scafom-rux and partner providers

PERFECTLY COORDINATED

Irrespective of whether it is a case of products for connectivity between various scaffolding systems or entirely system-independent components: the usability, logistics and price have to be right. Even in the case of accessories!

58-65 | WORK SAFETY

59-62 | PSA, HELMETS + ACCESSORIES

62 | WARNING FOILS

63-64 | PROTECTIVE COVERS

65 | SITE FENCES

66-73 | TOOLS

67-68 | RATCHETS + ACCESSORIES (SPARE PARTS ON P. 79)

69 | SPIRIT LEVELS

70-73 | OTHER TOOLS + LADDERS

74-77 | LOGISTICS

74 | PACKING MATERIAL AND APPLIANCES

75 | STACKING PALLETS

76-77 | MESH BOXES + BALLAST

78 | MARKING

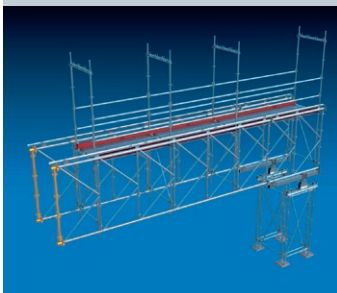
78 | K++ STICKERS, PROOF OF OWNERSHIP

79 | RATCHET WRENCH SPARE PARTS

CONNECT, IMPROVE, EARN MONEY!

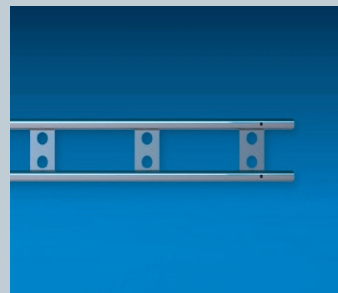
THE RIGHT ACCESSORIES OPTIMISE YOUR SCAFFOLDING

8 EXAMPLE PARTS THAT MAKE SCAFFOLDING WORK EVEN MORE EFFICIENT



RINGSCAFF K-FRAME SCAFFOLD BRIDGE / END SECTION

- For high load-bearing bridging
- Further assembly optionally with modular or façade scaffolding



BERLIN CONNECTOR

- Used in industrial and other special scaffolding applications
- Compact alternative to the lattice girder
- Used e.g. as a support beam or as an inner standard reinforcement
- Narrow width (213 mm) allows subsequent insertion between wall and scaffold
- Platforms can be readily fitted thanks to the smart design



RINGSCAFF K-FRAME PEDESTRIAN BRIDGE / END SECTION

- Event pedestrian bridge, self-supporting over 20 m
- Scaffold bridge as working and material platform
- Self-aligning, only system parts
- Lifting into place as one piece by crane fully assembled



VA STEEL PERMANENT ANCHOR

- Preferably used for insulation work
- Out of stainless V2A steel
- Extendable screw (threaded) for wall structures of approx. 15 – 25 cm
- Insulation and sealing of the anchoring points with PU sealing plugs
- No thermal bridges, no discolouring of the wall from temperature fluctuations



A meaningful selection of accessories turns a standard scaffolding into a bespoke solution for various application purposes. Whether your customer is a painter, bricklayer or roofer: with the optimally-customised range to hand you will be able to offer just the scaffolding they need to make their work easier and to strengthen your position on the market.

CONNECTION OF VARIOUS SYSTEMS

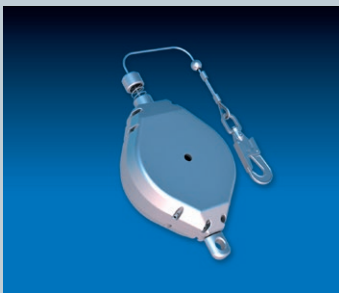
DEPENDABLE SPECIAL STRUCTURES

OPTIMISED LOGISTICS

TESTED QUALITY

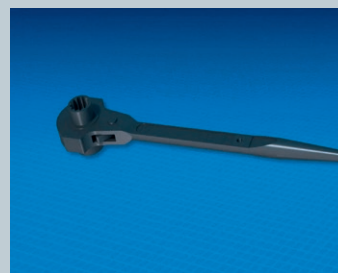
The scafom-rux product engineers are most familiar with the themes of safety, handling and optimum logistics – but it is only with a keen eye for details and an open ear for the needs of our customers that the leading edge can be established that distinguishes us as one of the innovation frontrunners in the industry.

A few more advance developments can be seen below. There are more of them later in the price list section.



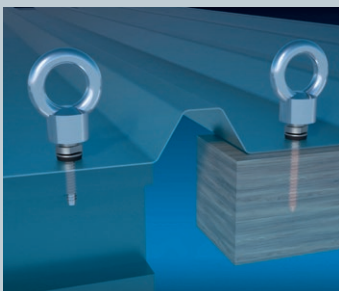
HEIGHT SAFETY DEVICE

- Safety when working on the uppermost scaffold level of frame scaffolds
- No hindrance to the work process from “hooking-in” when changing from the secure to unsecured sections
- Rope length 18 m, therefore 36 m working length from one fixation point



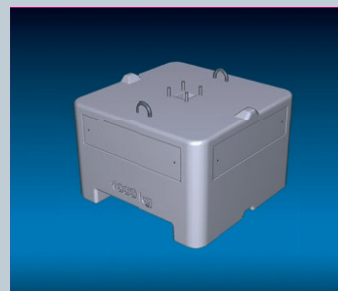
SCAFFOLD HAMMER RATCHET

- Combination tool: ratchet and hammer
- Drop-forged ratchet head with two hammer faces
- Double ratchet, sizes 19 and 22
- Hammer function for the occasional blow e.g. aligning couplers



SCAFFOLD ANCHOR FOR TRAPEZOIDAL SHEET FACADES

- Anchorage to the substructure of the trapezoidal sheet façade
- Anchor remains in the trapezoidal sheet façade for reuse
- Only the ring nuts are removed
- Neoprene sealing washers



BALLAST WEIGHT 600 KG AND 1,000 KG

- Compact
- Interlocking, stackable
- Crane lugs, fork-lift handling
- Combinable (bolting)
- As a ballast weight or access barrier

SIMPLY INDISPENSABLE

TUBE AND COUPLER: THE PERFECT MATCH

When there is no other alternative, the real scaffolding professional will scaffold the entire building complex with just two elements: tubes and couplers. Although that is still the case today in some regions, we can surely agree that frame and modular scaffolding offer specific economic benefits – if only in terms of the assembly speed. But scaffolding without any tubes or couplers? That is difficult to imagine. And anyway, why?

ALUMINIUM OR STEEL

In the case of our tubes, you have the choice between aluminium or steel with various wall thicknesses. A diameter of 48.3 mm means that the customary standard dimension is used, thereby enabling efficient and economic work.

VARIOUS COUPLERS

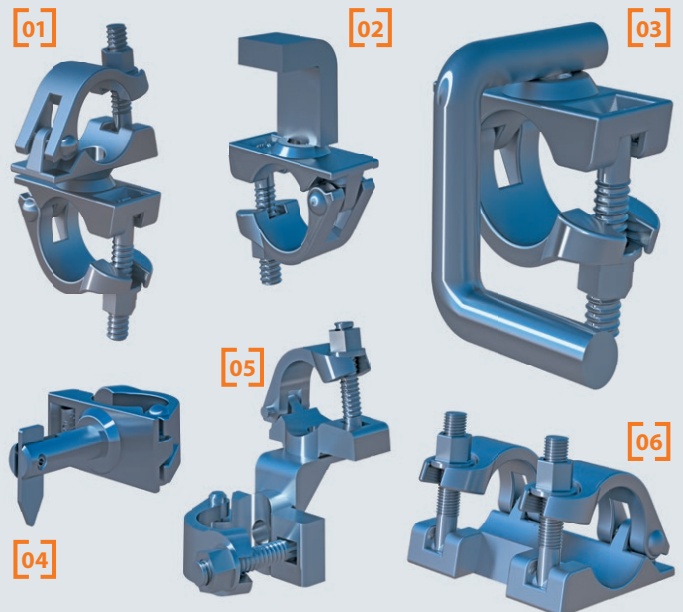
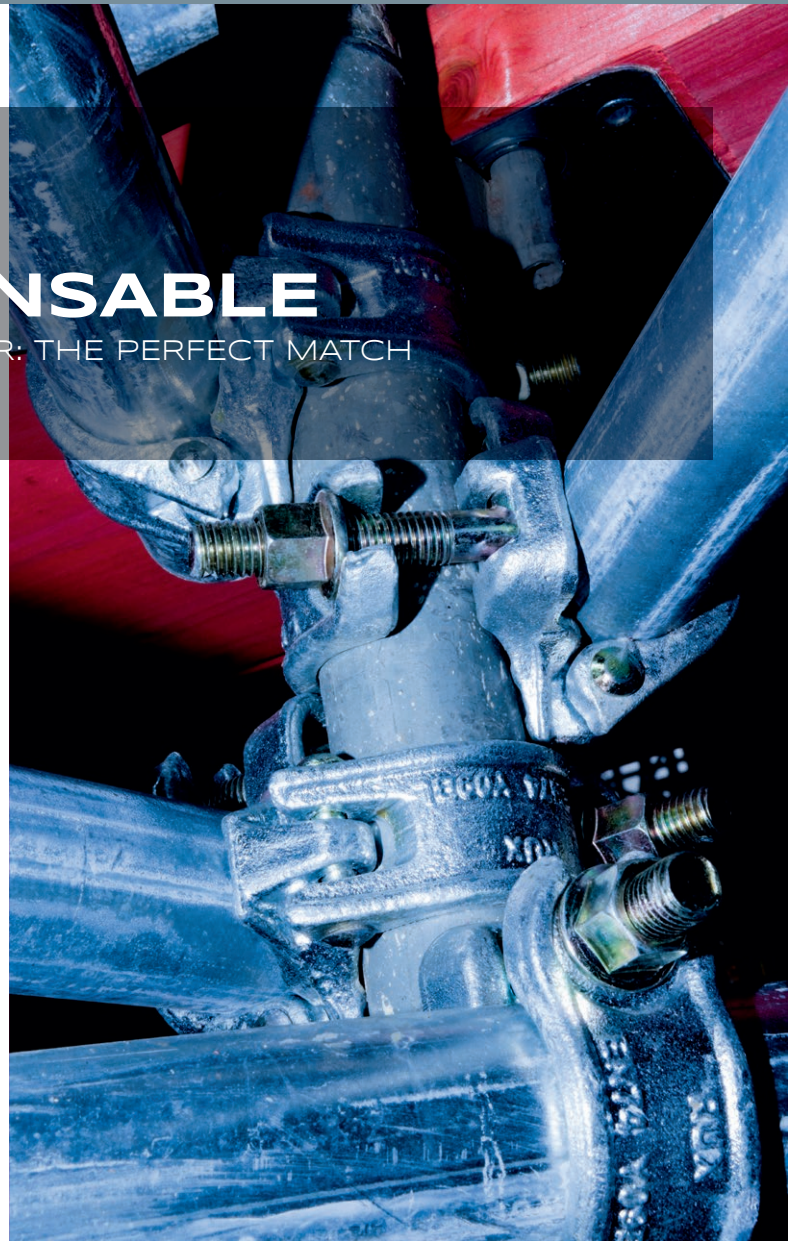
When we introduced our coupler with rapid-fastening screw a few years ago, we were made fun of by competitors and even subjected to some hostility. Meanwhile it has become a standard. Of course, we still have the “good old” metric version in our range. And whether you then use a standard, [01] swivel, reduction, semi, [02] carrier, [03] shore, [04] gravity lock, [05] lattice girder, parallel, wooden beam, screw-on, [06] tension, wall-ceiling or whatever other kind of coupler – will depend entirely upon the work commissioned. But the selection we have available will surely not be to blame.

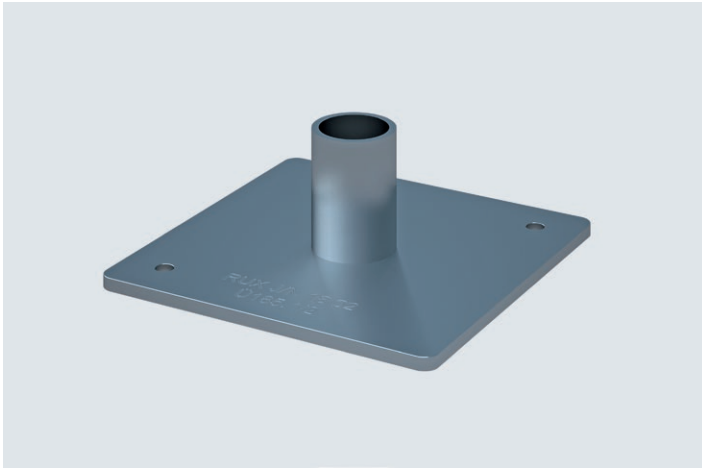
FULL FLEXIBILITY

WIDE RANGE OF COUPLERS

OPTIMISED MATERIALS

FOR SPECIAL CUSTOMISED SOLUTIONS



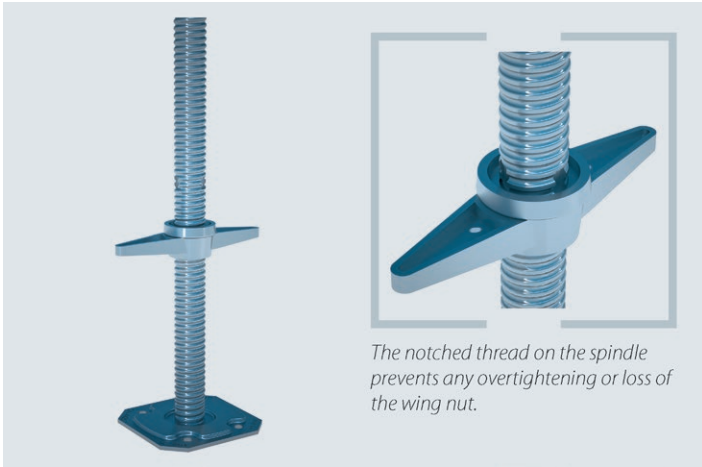


Base plate

Base plate with tube connector, 60 mm high. To protect the contact surface and to divert/distribute the scaffold loads. Comes with drill holes to secure against slip. Outer Ø of tube connector: 35 mm. Dimensions of the base plate: 150 mm x 150 mm.

H/L x B (m)	kg	Pack	Part No.	for order volume of: €/each		
	1.20	20	00378	1:	4.80	10: 3.60 100: 3.10

SNP



The notched thread on the spindle prevents any overtightening or loss of the wing nut.

Base jack Ø 38 mm

To compensate for uneven surfaces and to enable perpendicular/horizontal scaffold assembly. Depending on the position of the wing nut, the load-bearing capacity can be as much as 50 kN. High-speed thread for continuous adjustment. The thread is notched 150 mm below its upper edge to secure the wing nut. Please ensure when fitting that the overlap length between the standard and the spindle is 25 % of the spindle length and is at least 150 mm.

H/L x B (m)	kg	Pack	Part No.	for order volume of: €/each		
0.30	2.40	330	00357	1:	11.90	50: 8.20 250: 7.40
0.50	3.20	250	00358	1:	13.80	50: 8.90 250: 8.20
0.60	3.90	300	08358	1:	14.30	50: 9.00 250: 8.50
0.78	4.20	250	00360	1:	18.30	50: 11.80 200: 10.80
1.00	4.70	200	00365	1:	22.90	50: 14.50 200: 12.90

SNP

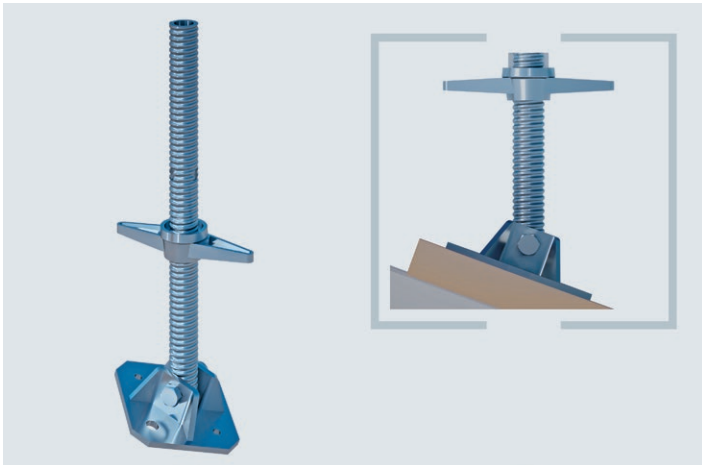


Base jack Ø 33 mm

High-speed thread with hand-friendly wing nut. Dimensions of the base plate: 150 mm x 150 mm.

H/L x B (m)	kg	Pack	Part No.	for order volume of: €/each		
0.50	3.00	300	00356	1:	13.80	50: 9.00 250: 8.50
0.78	3.90	250	00359	1:	18.30	50: 12.60 200: 11.80

SNP

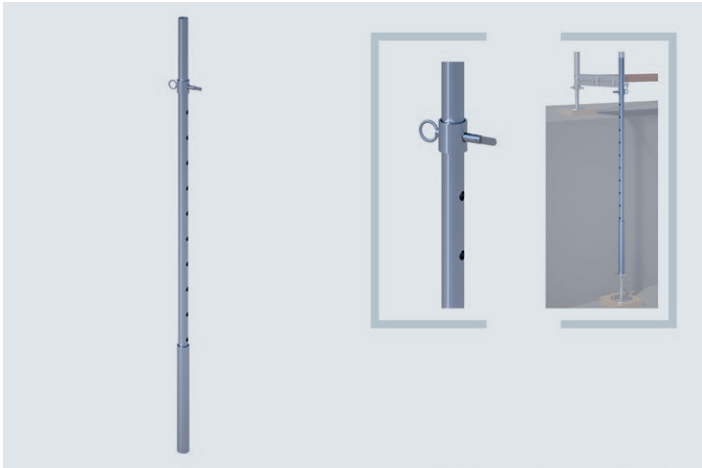


Base jack, pivoted Ø 38 mm

In addition to height adjustment, the angle of stand can also be continuously adjusted thanks to the swivel plate. Ideal for uneven surfaces or wall-side supports. Permissible load of up to 25.4 kN.

H/L x B (m)	kg	Pack	Part No.	for order volume of: €/each		
0.50	3.10	250	00361	1:	29.60	50: 22.50 100: 18.80
0.78	5.70	250	E02RS0008	1:	30.60	50: 23.50 100: 19.80

SNP


Spacer tube complete with sleeve and pin

Suitable when the base jack is no longer adequate for compensating for very uneven surfaces or in the case of cellar stairways etc. It is used as an extension for the base jack in combination with the decking transom. Significant adjustment range of 1.00 m at 10 cm intervals.

H/L x B (m)	kg	Pack	Part No.	for order volume of: €/each		
1.80	6.40	50	00668	1:	42.90	10: 30.90 20: 27.60

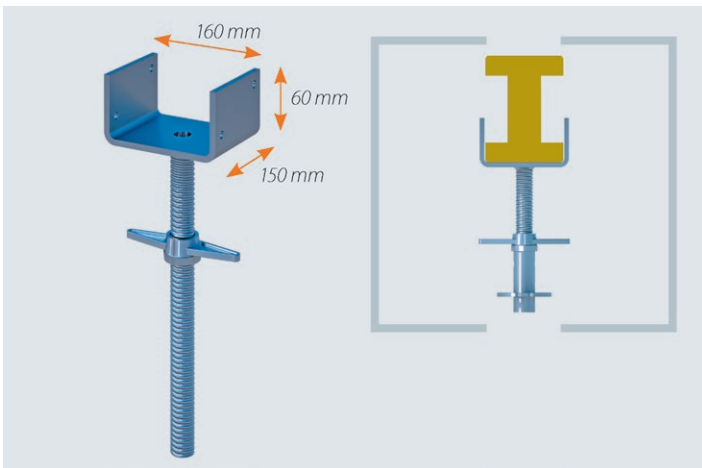
SNP


Underlay pad for base jack

Fitted with reflectors, out of plastic material.
H: 0.265 mm x L: 0.235 mm x W: 0.01 mm

Info	kg	Pack	Part No.	for order volume of: €/each		
	0.20	80	05632	1:	3.40	10: 2.45 50: 2.10

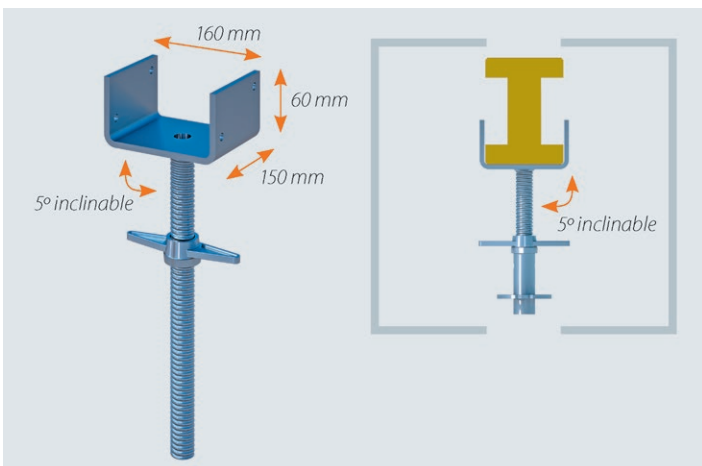
SNP


Head jack with U-shaped profile, rigid

Load-bearing element for support and platform scaffolds as well as for shoring systems. Basically, the counter part of the base jack. The U-shaped profile serves for the take-up of square timbers or formwork girders. Fork width: 162 mm

H/L x B (m)	kg	Pack	Part No.	for order volume of: €/each		
0.60	5.90	100	E02RS0003	1:	34.00	10: 20.70 30: 17.50

SNP

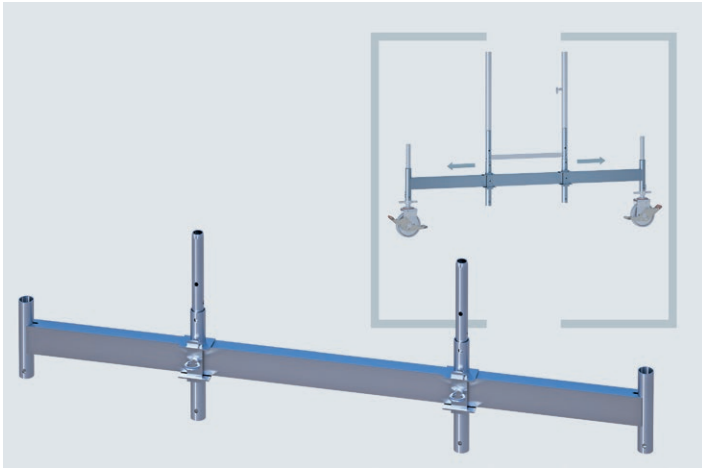

Head jack with U-shaped profile, inclinable

Load-bearing element for support and platform scaffolds as well as for shoring systems. Basically, the counter part of the base jack. The U-shaped profile serves for the take-up of square timbers or formwork girders. The head can be inclined by 5°.

Head plate: 160 x 150 x 60 mm

H/L x B (m)	kg	Pack	Part No.	for order volume of: €/each		
0.55	5.80	100	00363	1:	49.60	10: 44.00 30: 39.90

SNP

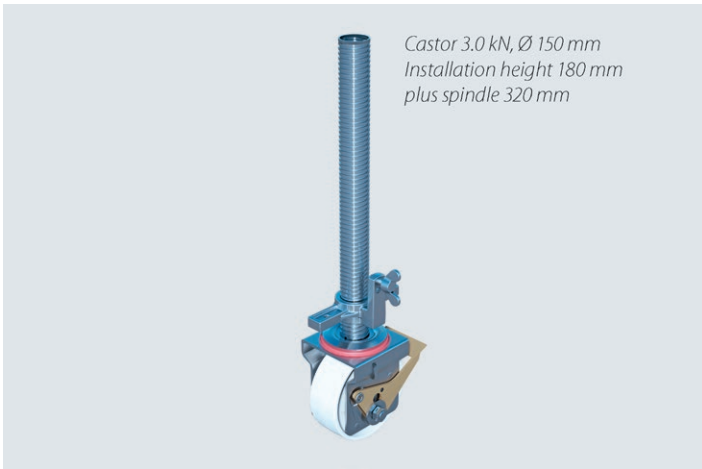


Universal mobile beam

Makes a mobile working scaffold out of almost every façade or modular scaffolding. Popular element in every scaffolders portfolio. No additional investments in a mobile scaffold system necessary. Can be used universally thanks to adjustable tube connectors. Possible to combine with all RUX castors

H/L x B (m)	kg	Pack	Part No.	for order volume of: €/each		
2.00	23.20	1	05505	1: 191.00	4: 159.00	8: 148.00

SNP



Castor 3.0 kN, Ø 150 mm
Installation height 180 mm
plus spindle 320 mm

Castor 3.0 kN

For mobile scaffold structures of all types. Height adjustable for perpendicular alignment. Locking brake for a secure stand and to protect against any unintentional rolling away. Centric transfer of load when brake is engaged. Little effort needed when moving the system thanks to integrated slide bearings in the hub and nylon wheel to safeguard the supporting surface. Also equipped with a foot lever for releasing the brake. Corresponds to EN 1004. Suitable for both indoor and outdoor applications.

H/L x B (m)	kg	Pack	Part No.	for order volume of: €/each		
3.80	170	02449	1:	65.80	8: 39.50	24: 35.80

SNP



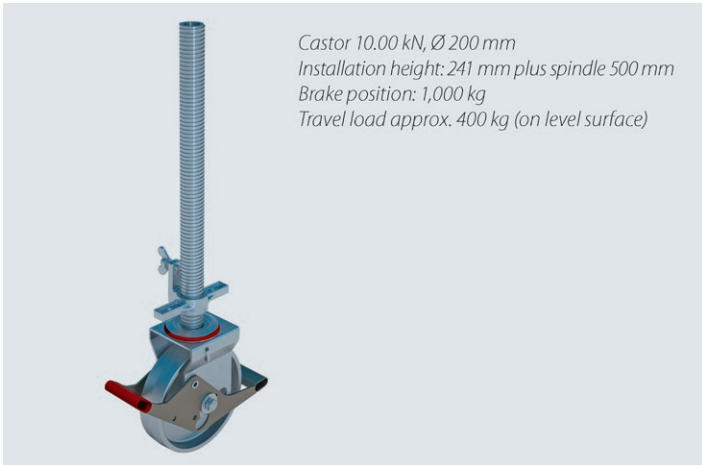
Castor 5.0 kN, Ø 200 mm
Installation height 241 mm
plus spindle 500 mm

Castor 5.0 kN for sensitive surfaces

The castor suited for applications on sensitive surfaces such as e.g. gyms, event halls, hotel foyers etc. Equipped with polyurethane wheel.

H/L x B (m)	kg	Pack	Part No.	for order volume of: €/each		
6.00	72	02448	1:	89.90	8: 63.60	24: 58.20

SNP



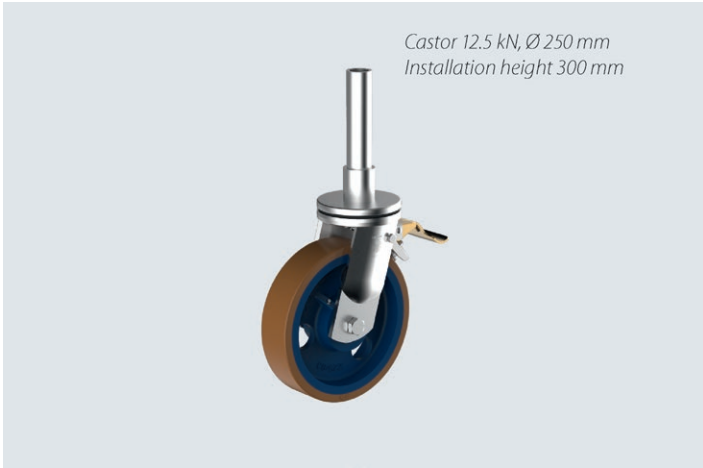
Castor 10.00 kN, Ø 200 mm
Installation height: 241 mm plus spindle 500 mm
Brake position: 1,000 kg
Travel load approx. 400 kg (on level surface)

Castor 10.0 kN

For mobile scaffold structures of all types. Height adjustable for perpendicular alignment. Locking brake for a secure stand and to protect against any unintentional rolling away. Centric transfer of load when brake is engaged. Little effort needed when moving the system thanks to integrated slide bearings and nylon wheel to safeguard the supporting surface. Also equipped with a foot lever for releasing the brake. Suitable for both indoor and outdoor applications: EN 1004.

H/L x B (m)	kg	Pack	Part No.	for order volume of: €/each		
6.00	72	05507	1:	82.00	8: 58.00	24: 47.50

SNP



Castor 12.5 kN, Ø 250 mm
 Installation height 300 mm

Castor 12.5 kN permissible load

Equipped with a high-grade steel housing and precision ball-cage assembly in the clevis. Vulkollan wheel 250 x 60 mm with ball bearings and wheel brake as well as steel cast pins to secure against any falling out e.g. when shifting or loading entire mobile scaffolds by crane.

H/L x B (m)	kg	Pack	Part No.	for order volume of: €/each		
	14.90	48	00384	1: 198.00	8: 158.00	16: 152.50

SNP



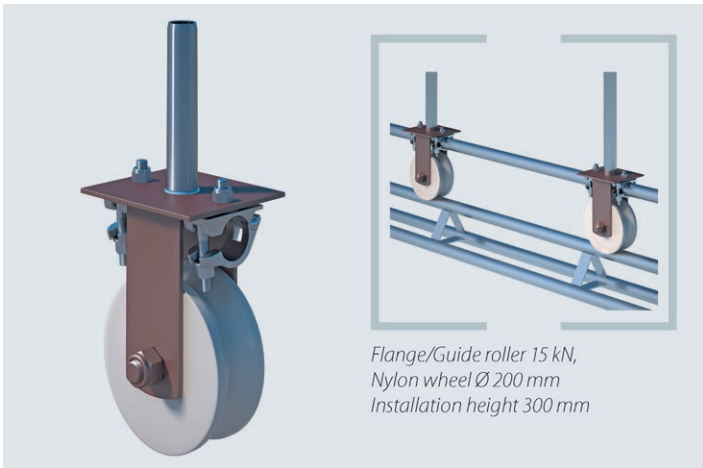
Castor 7.5 kN, Ø 200 mm
 Installation height 241 mm

Fixed castor 7.5 kN permissible load

Fixed castor for bridge or hall construction, 250 x 50 mm. Ball bearings for good roll properties even with a high total weight. Securing system to ensure a firm connection of the roller with the scaffolding structure to avoid any falling out. Comes with tube connector 200 x 38 mm, installation height 260 mm. Wrench size 19 mm.

H/L x B (m)	kg	Pack	Part No.	for order volume of: €/each		
	6.60	50	00392	1: 59.70	8: 52.00	16: 48.30 ①

SNP



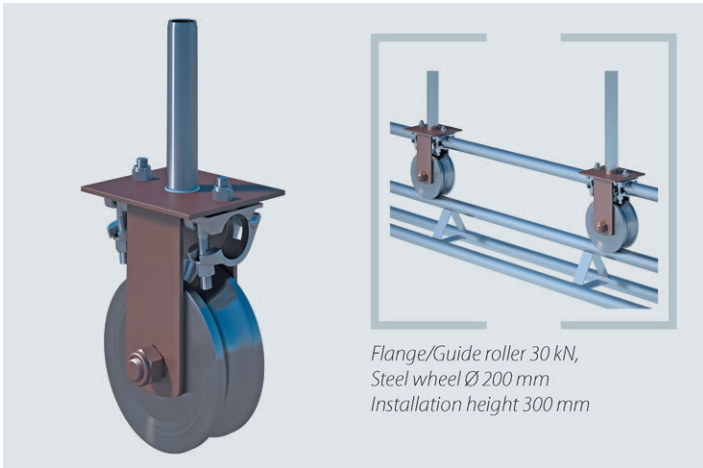
Flange/Guide roller 15 kN,
 Nylon wheel Ø 200 mm
 Installation height 300 mm

Flange/Guide roller (plastic)

For special mobile scaffolding structures. Plastic roller with concave design for guided transport on rails out of scaffolding material e.g. triangular supports. Comes with two integrated semi-couplers on the roller housing for secure attachment to the scaffolding structure. 15 kN permissible load, 200 mm roller diameter

H/L x B (m)	kg	Pack	Part No.	for order volume of: €/each		
	12.80	50	04676_19	1: 260.00	4: 222.00	12: 198.00
	12.80	50	04676_22	1: 260.00	4: 222.00	12: 198.00

SNP



Flange/Guide roller 30 kN,
 Steel wheel Ø 200 mm
 Installation height 300 mm

Flange/Guide roller (metal)

For special mobile scaffolding structures. Metal roller with concave design for guided transport on rails out of scaffolding material e.g. triangular supports. Comes with two integrated semi-couplers on the roller housing for secure attachment to the scaffolding structure. 30 kN permissible load, 200 mm roller diameter

H/L x B (m)	kg	Pack	Part No.	for order volume of: €/each		
	25.40	50	04688_19	1: 395.00	4: 315.00	12: 295.00
	25.40	50	04688_22	1: 395.00	4: 315.00	12: 295.00

SNP

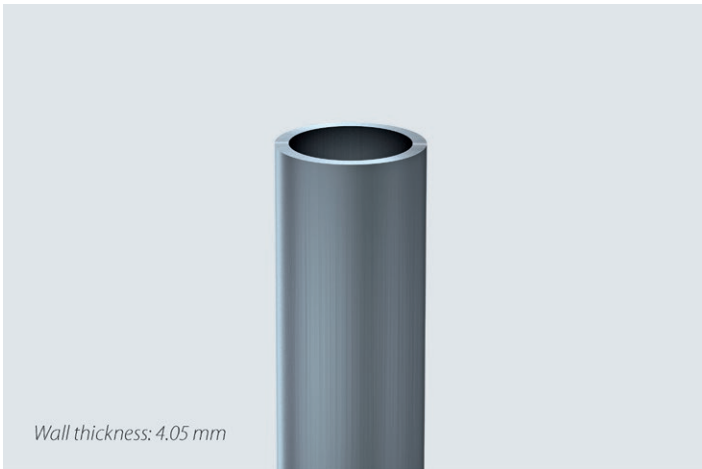


Steel scaffold tube Ø 48.3 mm, 3.25 wall thickness

In combination with standard couplers, an indispensable element of any facilitative scaffolding over many decades now. Suitable for steel tube/coupler structures or as supplementary resources for modular or façade scaffolding. Standard length 6.0 m. Available in many other lengths. Robust, weather-resistant and durable thanks to its hot-galvanised steel design. Corresponds to EN 39.

H/L x B (m)	kg	Pack	Part No.	for order volume of: €/each		
1.00	3.40	100	07070	1: 7.10	61: 5.30	244: 4.90 ②
2.00	6.80	100	07072	1: 13.95	61: 10.60	244: 9.80 ②
3.00	10.20	100	07074	1: 20.95	61: 15.95	244: 14.70 ②
4.00	13.60	61	07076	1: 27.90	61: 21.65	244: 19.60 ②
5.00	17.00	50	07078	1: 34.85	61: 26.65	244: 24.50 ②
6.00	20.40	61	07080	1: 39.90	61: 30.40	244: 27.85 ②

SNP Larger quantities on request

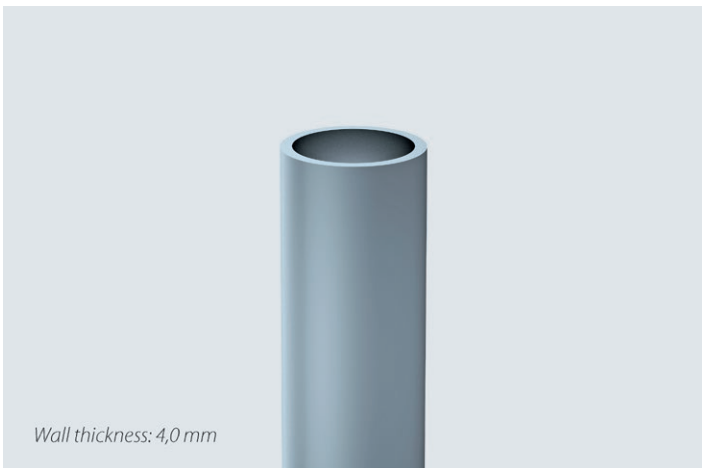


Steel scaffold tube Ø 48.3 mm, 4.05 wall thickness

In combination with standard couplers, an indispensable element of any facilitative scaffolding over many decades now. Suitable for steel tube/coupler structures or as supplementary resources for modular or façade scaffolding. Standard length 6.0 m. Available in many other lengths. Robust, weather-resistant and durable thanks to its hot-galvanised steel design. Corresponds to EN 39.

H/L x B (m)	kg	Pack	Part No.	for order volume of: €/each		
6.00		61	00270	1: 49.80	61: 39.00	244: 37.00 ①

SNP Other models on request

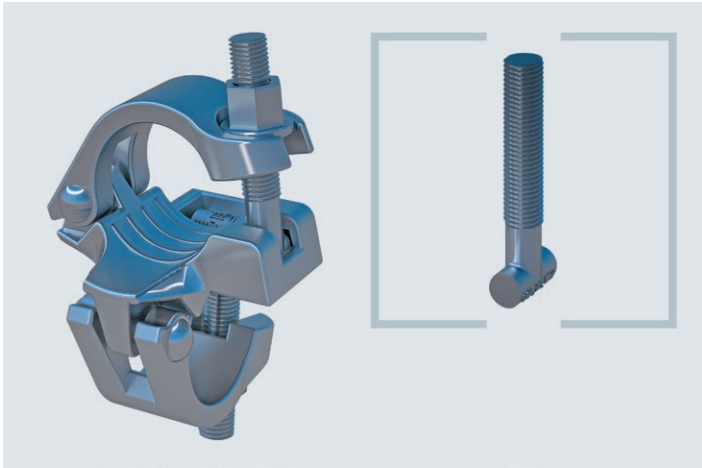


Aluminium scaffold tube Ø 48.3 mm, 4.00 wall thickness

The scaffold tube in lightweight, rustproof aluminium design. Offers weight advantages for handling and transport. Suitable for applications with low load requirements. Tube diameter fits for standard coupler connection. Manufactured lengths of 6.00 m and 8.00 m.

H/L x B (m)	kg	Pack	Part No.	for order volume of: €/each		
6.00	8.40	50	00959	1: 64.90	50: 49.50	200: 44.50 ②

SNP Other models on request



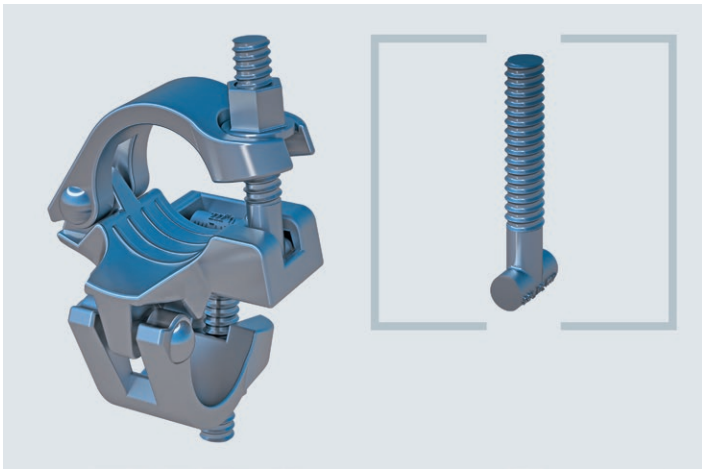
Standard coupler BB – metric

Proven a million times over and completely irreplaceable in the scaffolding world. Prescribed angle of 90° for efficient assembly. Optimised for professional scaffolding applications thanks to continual improvements. Comes with collar nuts with a 19 or 22 wrench size and T-head bolt with metric thread, hot-galvanised. Allowed as an individual coupler for a permissible load of 9.1 kN or as a double coupler for 15.2 kN. Has a BB certificate and test symbol as per EN 74, heavy-duty – ribbed – design! Collar nuts fitted. Tightening torque of the collar nuts 50 Nm.

Embossing possible for quantities of 5,000 or more, sorted. Price upon request!

Info	kg	Pack	Part No.	for order volume of: €/each			
AF 19	1.30	1000	04963	1:	4.60 250:	3.40 1000:	2.95
AF 22	1.30	1000	04962	1:	4.60 250:	3.40 1000:	2.95

SNP Embossing possible



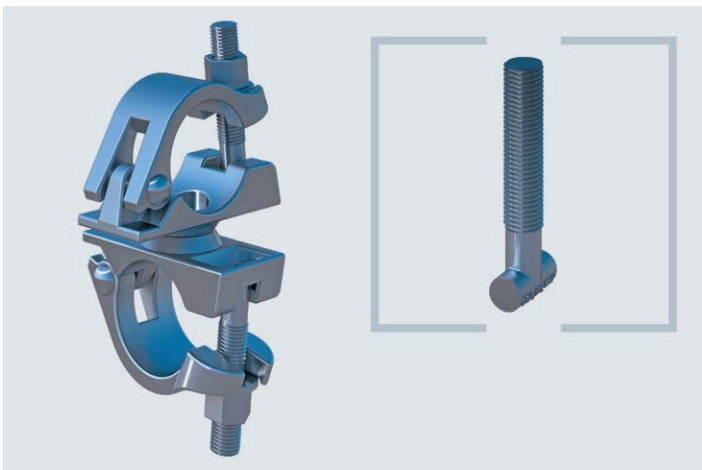
Standard coupler BB with hot-galvanised, rapid-fastening screw

The differentiating detail to the conventional standard coupler is the rapid-fastening screw. You gain valuable time with every single coupler during assembly. All other features are identical with the standard design. Heavy-duty – ribbed – design! Collar nuts fitted. Tightening torque of the collar nuts 50 Nm. Corresponds to EN 74.

Embossing possible for quantities of 5,000 or more, sorted. Price upon request!

Info	kg	Pack	Part No.	for order volume of: €/each			
AF 19	1.30	1000	04963S	1:	4.90 250:	3.60 1000:	3.20
AF 22	1.30	1000	04962S	1:	4.90 250:	3.60 1000:	3.20

SNP Embossing possible



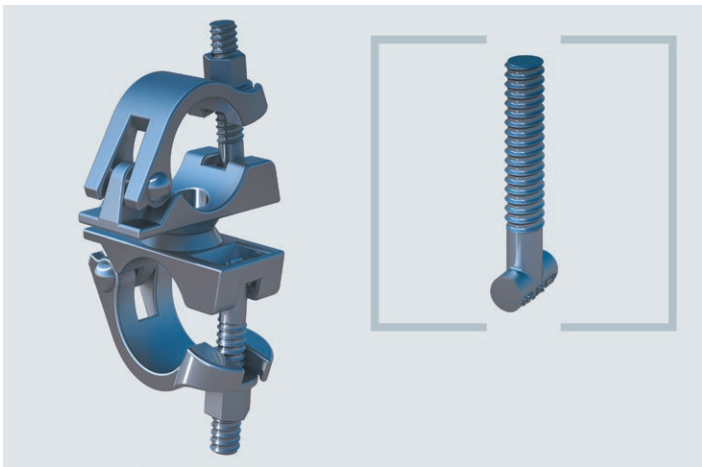
Swivel coupler B – metric

Parallel or at any angle: the application options for the swivel coupler are almost limitless. Swivel couplers are used whenever a solution other than a rigid, right-angled connection of two scaffold tubes is needed. Just like all other couplers by Scafom-Rux, drop-forged and hot-galvanised. Heavy-duty – ribbed – design. Permissible load 9.1 kN. Collar nuts fitted. Tightening torque of the collar nuts 50 Nm. Corresponds to EN 74.

Embossing possible for quantities of 5,000 or more, sorted. Price upon request!

Info	kg	Pack	Part No.	for order volume of: €/each			
AF 19	1.40	1000	04960	1:	5.90 250:	3.90 1000:	3.50
AF 22	1.40	1000	04961	1:	5.90 250:	3.90 1000:	3.50

SNP Embossing possible



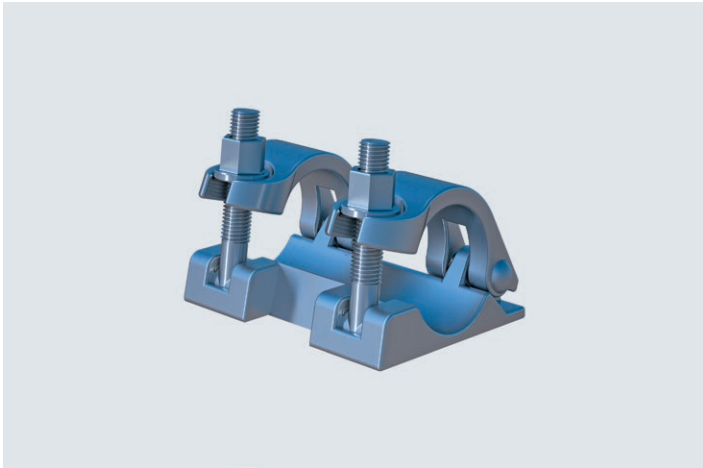
Swivel coupler B with hot-galvanised, rapid-fastening screw

The differentiating detail to the conventional standard coupler is the rapid-fastening screw. You gain valuable time with every single coupler during assembly. All other features are identical with the standard design. Heavy-duty – ribbed – design! Collar nuts fitted. Tightening torque of the collar nuts 50 Nm. Corresponds to EN 74.

Embossing possible for quantities of 5,000 or more, sorted. Price upon request!

Info	kg	Pack	Part No.	for order volume of: €/each			
AF 19	1.40	1000	04960S	1:	6.20 250:	4.20 1000:	3.60
AF 22	1.40	1000	04961S	1:	6.20 250:	4.20 1000:	3.60

SNP Embossing possible

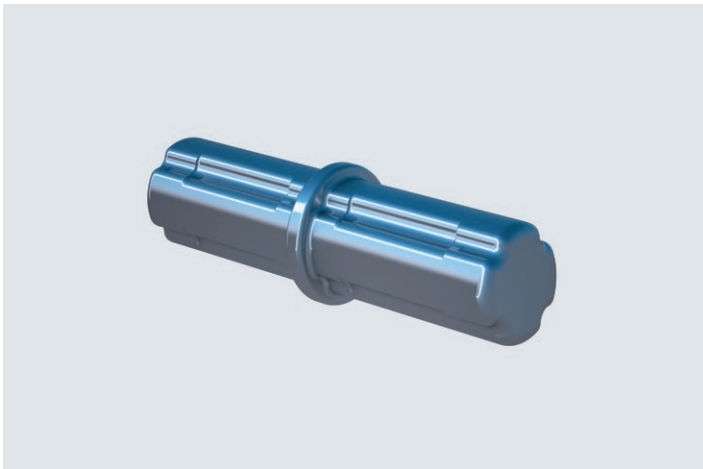


Tension coupler - metric

To extend two scaffold tubes in combination with a tube connector. Comes with T-head bolt. Permissible load 6.1 kN. Heavy-duty – ribbed – design! Collar nuts fitted. Tightening torque of the collar nuts 50 Nm. Corresponds to EN 74. Embossing possible for quantities of 5,000 or more, sorted. Price upon request!

Info	kg	Pack	Part No.	for order volume of: €/each		
AF 19	1.60	20	00494	1: 6.90	50: 4.95	250: 4.40
AF 22	1.60	20	00492	1: 6.90	50: 4.95	250: 4.40

SNP

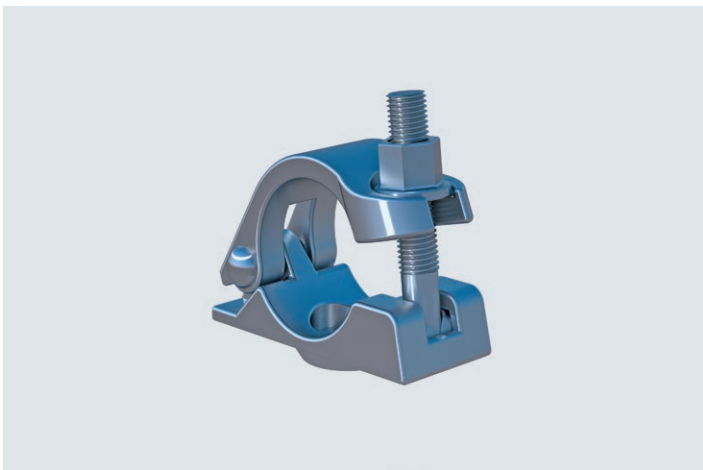


Tube connector

Suitable for scaffold tubes Ø 48.3 mm. In combination with a tension coupler for a tight and pressure-resistant connection.

H/L x B (m)	kg	Pack	Part No.	for order volume of: €/each		
0.18	1.00	25	00377	1: 3.50	50: 3.15	250: 2.95

SNP



Semi-coupler

Very useful for special structures, can be welded or bolted. Permissible load of 9 kN as an individual coupler. Tightening torque of the collar nuts 50 Nm. Corresponds to EN 74.

H/L x B (m)	kg	Pack	Part No.	for order volume of: €/each		
0.70	25	00497	1: 3.10	100: 2.46	300: 2.30	
0.70	25	00495	1: 3.10	100: 2.46	300: 2.30	

SNP

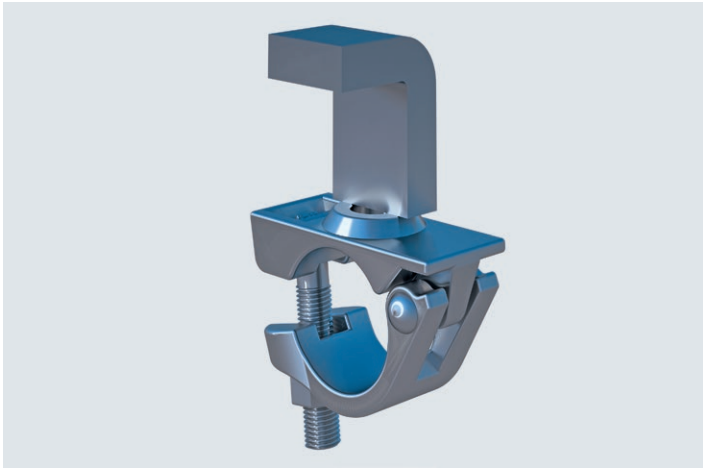


Shore coupler

For great flexibility when anchoring the scaffolding. Particularly useful in combination with scaffold tubes when there are larger wall clearances. Also suitable for large window or façade surfaces when standard anchors cannot be applied. Tightening torque of the collar nuts 50 Nm. Corresponds to EN 74.

Info	kg	Pack	Part No.	for order volume of: €/each		
AF 19	1.10	25	00444	1: 8.95	50: 5.80	100: 5.60
AF 22	1.10	25	00445	1: 8.95	50: 5.80	100: 5.60

SNP

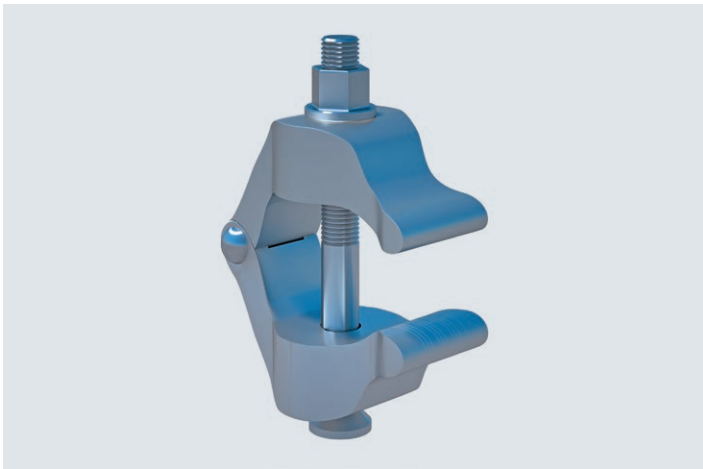


Carrier coupler

Semi-coupler with welded-on steel angle for the attachment of scaffold tubes or lattice girders to steel structures or girders. Frequently used for birdcage or suspension scaffolds. Mostly fitted as pairs e.g. on double T-girders. Angle height 50 mm. Maximum permissible load 9 kN. Tightening torque of the collar nuts 50 Nm. Corresponds to EN 74.

Info	kg	Pack	Part No.	for order volume of: €/each		
AF 19	1.10	25	00453	1: 9.70	100: 7.30	250: 6.95
AF 22	1.10	25	00454	1: 9.70	100: 7.30	250: 6.95

SNP

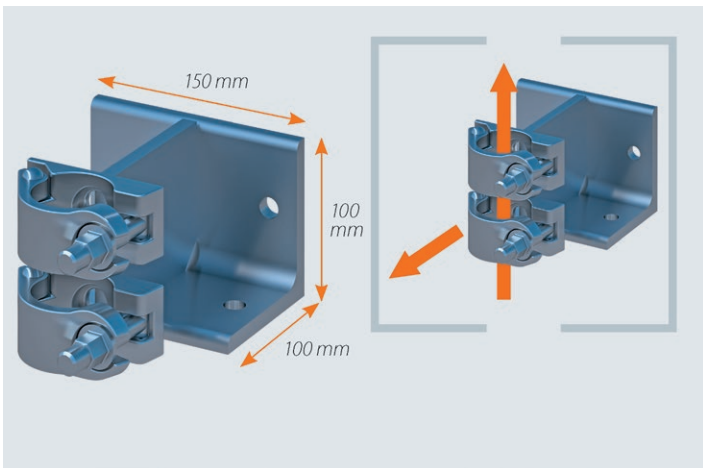


Universal girder clamp for 16 - 70 mm girders

Robust design, drop-forged, hot-galvanised, max. clamping depth 40 mm.

H/L x B (m)	kg	Pack	Part No.	for order volume of: €/each		
0.05 x 0.10	2.20	25	00087	1: 36.00	10: 31.00	20: 29.00

SNP Please state AF



Wall/Ceiling coupler

Universal element for the attachment of scaffolding structures to ceilings or walls. High load-bearing values thanks to double coupler design. Highly efficient when assembling ceiling or wall scaffolding in cases where the area below the scaffold has to remain entirely free. Tightening torque of the collar nuts 50 Nm. Corresponds to EN 74.

Max. slip load +/- 9.09 kN

Resultant anchor load at max. utilisation:

D = Z = 16.00 kN, V = 6.5 kN in reinforced concrete

Max. head tear-off load +/- 17 kN

Resultant anchor load: 8.5 kN

Info	kg	Pack	Part No.	for order volume of: €/each		
AF 19	4.40	20	07212	1: 26.30	10: 21.00	25: 18.50
AF 22	4.40	20	07214	1: 26.30	10: 21.00	25: 18.50

SNP

SMART DETAILS



Wall mobile – Thanks to the diverse connection options, tubes and girders can be securely affixed to walls and ceilings both vertically as well as horizontally.



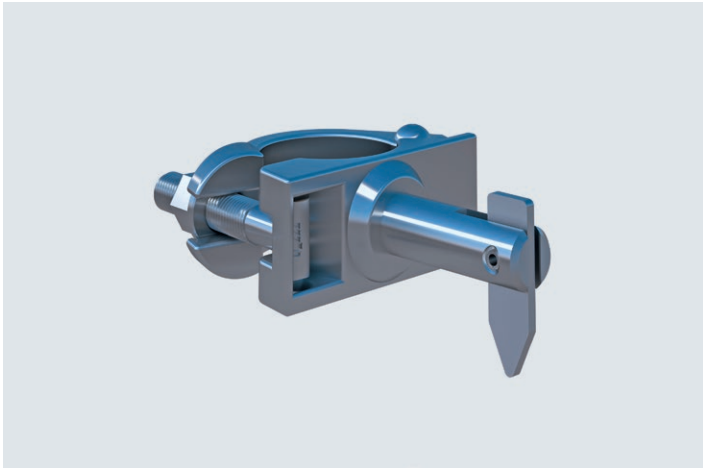
Tear-off load – The maximum head tear-off load of the wall/ceiling coupler is 17 kN.



Slip load – Add-on components are secured against slip up to a max. of 9.10 kN.



SMART CLIP

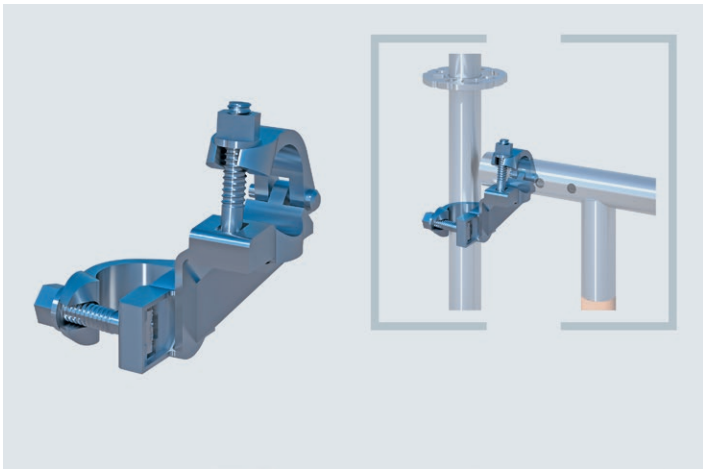


Gravity lock coupler

Suitable for the fitting of back guardrails/longitudinal tubes and diagonals from the façade scaffolding systems at any place in a scaffolding structure. Efficient aid for the construction of the three-piece side protection or diagonal braces. Tightening torque of the collar nuts 50 Nm. Corresponds to EN 74.

Info	kg	Pack	Part No.	for order volume of: €/each		
AF 19	0.80	25	00447	1: 7.30	100: 5.50	250: 4.50
AF 22	0.80	25	00448	1: 7.30	100: 5.50	250: 4.50

SNP

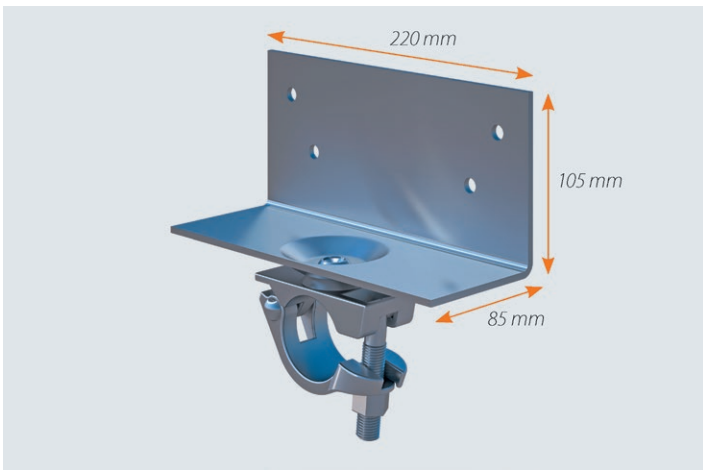


Lattice girder coupler

Suitable for the right-angled connection of lattice girders and vertical tubes. Tightening torque of the collar nuts 50 Nm. Corresponds to EN 74.

Info	kg	Pack	Part No.	for order volume of: €/each		
AF 19	1.60	150	E04RS1518	1: 22.60	10: 19.50	25: 17.50
AF 22	1.60	150	E04RS0559	1: 22.60	10: 19.50	25: 17.50

SNP

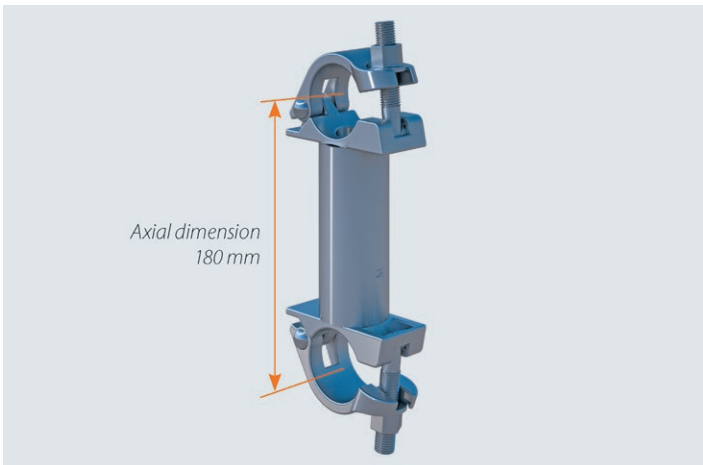


Wooden beam coupler, swivel

Suitable for the attachment of wooden beams to scaffolding structures at any angle. Very often used for birdcage scaffolds, coverings, enclosures, but also for stage and stand constructions. Comes with drill holes for affixing the wooden beams against slip or lifting. Tightening torque of the collar nuts 50 Nm. Corresponds to EN 74.

Info	kg	Pack	Part No.	for order volume of: €/each		
AF 19	2.00	10	00450	1: 15.30	50: 11.50	100: 11.20
AF 22	2.00	10	00451	1: 15.30	50: 11.50	100: 11.20

SNP

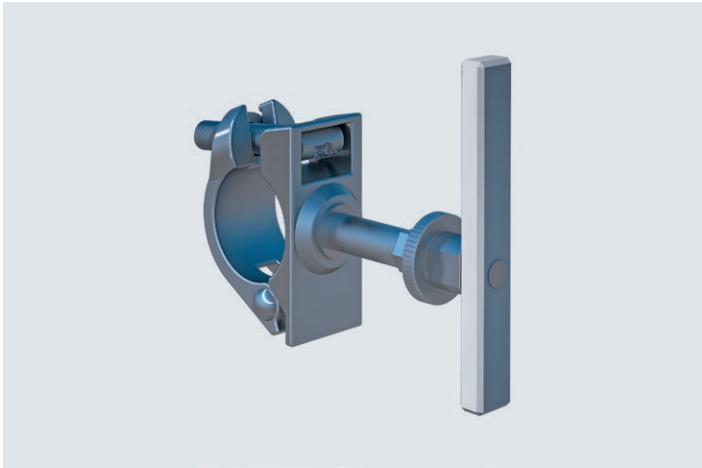


Parallel coupler

The parallel coupler forms a load-bearing connection between two scaffold tubes, modular standards or vertical frames running parallel to one another e.g. to reinforce supporting structures, to connect individual modular towers when scaffolding around curved elements etc. Tightening torque of the collar nuts 50 Nm. Corresponds to EN 74.

Info	kg	Pack	Part No.	for order volume of: €/each		
AF 19	1.90	20	01511	1: 15.90	50: 10.90	100: 9.90
AF 22	1.90	20	01512	1: 15.90	50: 10.90	100: 9.90

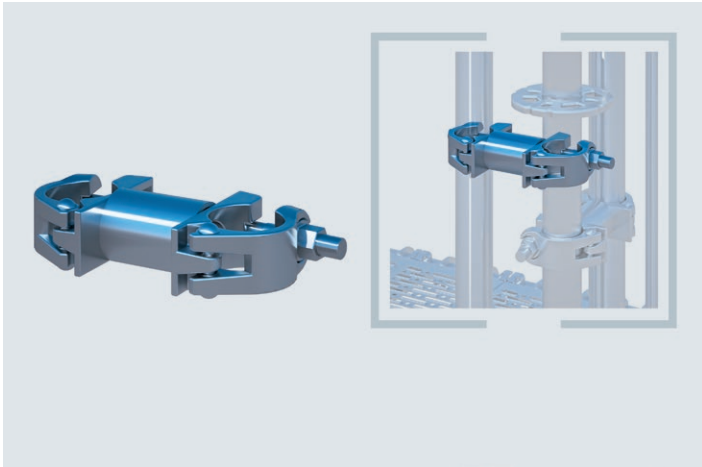
SNP


Multi-directional distance coupler

For the attachment of Keder rails to scaffold tubes, vertical frames, modular standards or lattice girders. Mounting can take place at any angle and in any direction. Optimal solution for special structures without any fixed modular dimensions e.g. on bridge building sites or for historical monuments. Tightening torque of the collar nuts 50 Nm. Version corresponds to EN 74.

Info	kg	Pack	Part No.	for order volume of: €/each		
AF 19	1.20	20	01442	1: 16.40	50: 10.50	200: 9.80
AF 22	1.20	20	01441	1: 16.40	50: 10.50	200: 9.80

SNP

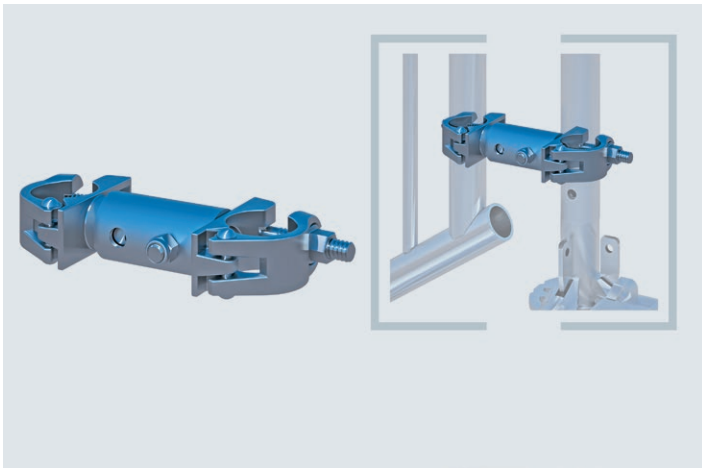

Handrail holder, metric

Suitable for metric scaffold bays.

Tightening torque of the collar nuts 50 Nm. Version corresponds to EN 74. Axial dimension: 128 mm.

Info	H/L x B (m)	kg	Pack	Part No.	€/each
RX / AF 19	0.13	1.60	20	01926	15.80
RX / AF 22	0.13	1.60	20	01937	15.80

metric

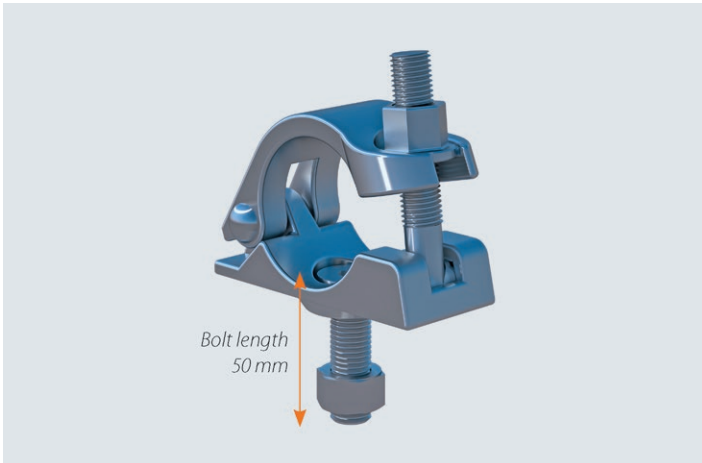

Handrail holder, tele

Suitable for 07/09 scaffold bay dimensions.

Tightening torque of the collar nuts 50 Nm. Version corresponds to EN 74. Axial dimension up to 163 mm.

Info	H/L x B (m)	kg	Pack	Part No.	€/each
PC,LA/AF 19	0.16	2.13	20	01935	16.20
PC,LA/AF 22	0.16	2.13	20	01936	16.20

07 dimension

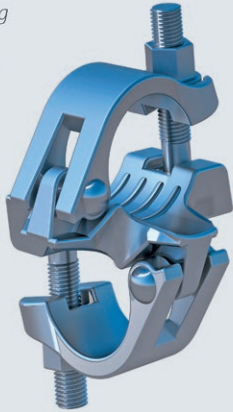

Screw-on coupler

Semi-coupler with collar nut 19 or 22 mm wrench size as well as welded-on threaded bolt M 14 x 50 mm. Comes with collar nut and T-head bolt. Tightening torque of the collar nuts 50 Nm. Corresponds to EN 74.

Info	kg	Pack	Part No.	for order volume of: €/each		
AF 19	0.70	25	00464	1: 7.50	50: 5.90	100: 5.10
AF 22	0.70	25	00465	1: 7.50	50: 5.90	100: 5.10

SNP

Available for the following
tube diameters:
48 x 34, 38, 42, 60, 76 mm



Standard reduction coupler

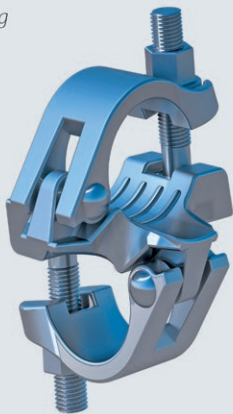
Scaffold coupler for the variable connection of tubes having different diameters e.g. for the connection of a back guardrail/longitudinal tube to a modular standard. Tightening torque of the collar nuts 50 Nm. Corresponds to EN 74. Standard: wrench size 19; wrench size 22 on request!

Info	kg	Pack	Part No.	for order volume of: €/each		
AF 19	1.10	25	00106	1: 13.30	50: 9.90	100: 8.70
AF 19	1.10	25	00107	1: 13.30	50: 9.90	100: 8.70
AF 19	1.10	25	00108	1: 13.60	50: 10.20	100: 9.00 ①
AF 19	1.20	20	00109	1: 13.90	50: 10.50	100: 9.30
AF 19	1.90	15	00111	1: 14.35	50: 10.95	100: 9.85

SNP

Other models on request

Available for the following
tube diameters:
48 x 34, 38, 42, 60, 76 mm



Standard reduction swivel coupler

Scaffold coupler for the variable connection of tubes having different diameters e.g. for the connection of a back guardrail/longitudinal tube to a modular standard. Tightening torque of the collar nuts 50 Nm. Corresponds to EN 74. Standard: wrench size 19; wrench size 22 on request!

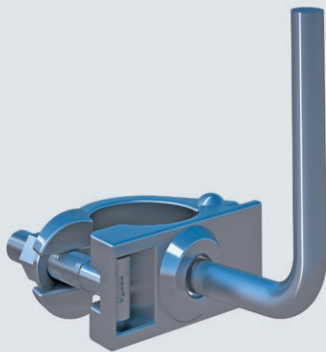
Info	kg	Pack	Part No.	for order volume of: €/each		
AF 19	1.10	25	00138	1: 13.90	50: 10.40	100: 9.00
AF 19	1.10	20	00139	1: 14.10	50: 10.60	100: 9.20
AF 19	1.10	25	00140	1: 14.30	50: 10.70	100: 9.30
AF 19	1.70	20	00141	1: 14.50	50: 10.90	100: 9.50
AF 19	1.80	10	00142	1: 14.75	50: 11.15	100: 9.95

SNP

Semi-coupler with support for toe board

Coupler for the attachment of a (system-independent) toe board in tube/coupler or modular scaffolding or for façade scaffolding outside the modular dimensions. Semi-coupler with support for toe board. Tightening torque of the collar nuts 50 Nm. Corresponds to EN 74.

Info	H/L x B (m)	kg	Pack	Part No.	€/each
AF 19		1.20	25	00479	8.69
AF 22		1.20	25	00480	8.69

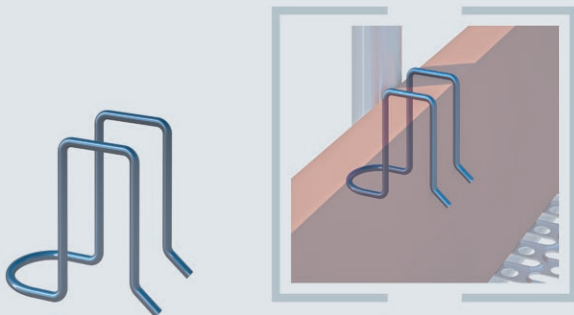


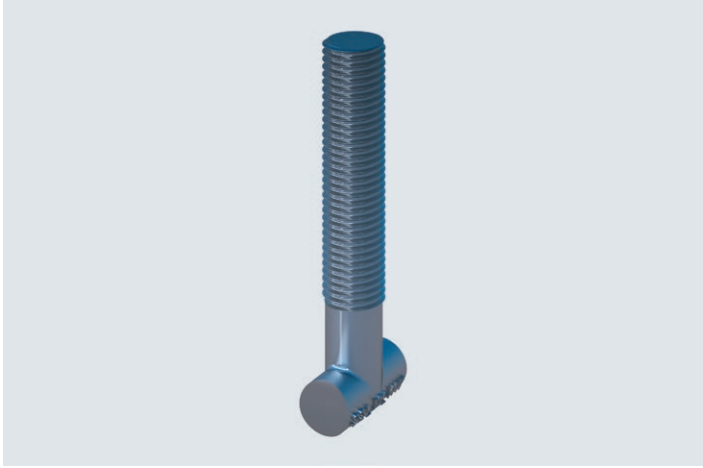
Toe board clamp

Robust steel wire, hot-galvanised, for holding the toe boards in tube and coupler scaffolds as well as for attaching scaffold boards in protective scaffolds (safety barrier for roofers).

H/L x B (m)	kg	Pack	Part No.	for order volume of: €/each		
1.35	0.10	100	00376	1: 1.86	100: 1.68	500: 1.49

SNP





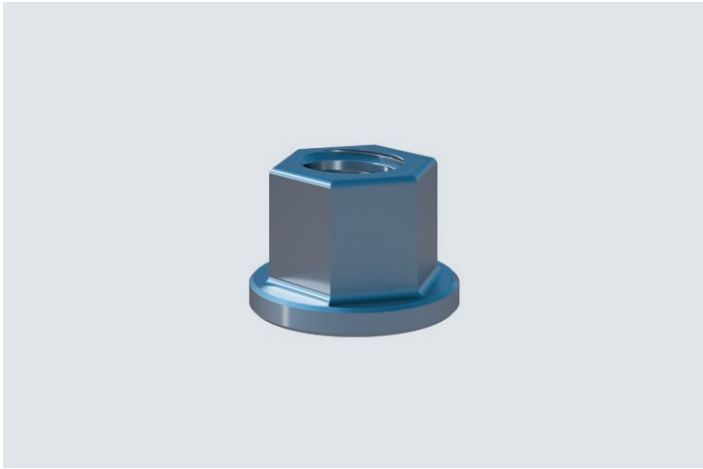
T-head bolt – metric, hot-galvanised

Drop-forged, hot-galvanised, thread M14, bolt length approx. 68 mm, as per ISO 898 T. 1.

Quality class: 8.8.

H/L x B (m)	kg	Pack	Part No.	for order volume of: €/each		
	0.09	100	00434	1:	0.47	200: 0.40 1000: 0.26

SNP

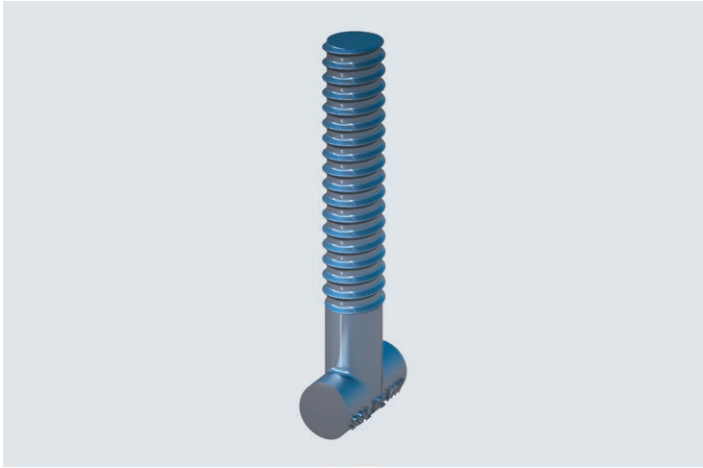


Collar nut – metric, hot-galvanised

Drop-forged, hot-galvanised, as per ISO 898 T. 2, inner thread M14.

Info	kg	Pack	Part No.	for order volume of: €/each		
AF 19	0.04	200	00427	1:	0.33	200: 0.22 1000: 0.18
AF 22	0.04	200	00428	1:	0.33	200: 0.22 1000: 0.18

SNP

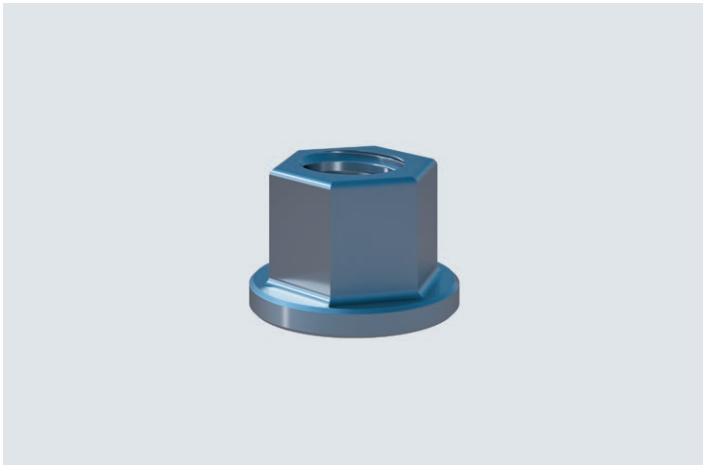


T-head bolt with high-speed thread – hot-galvanised

Drop-forged, hot-galvanised, high-speed thread, bolt length approx. 68 mm, as per ISO 898 T. 1. Quality class: 8.8.

H/L x B (m)	kg	Pack	Part No.	for order volume of: €/each		
	0.09	100	07042	1:	0.50	200: 0.42 1000: 0.28

SNP



Collar nut with high-speed thread – hot-galvanised

Suitable for hot-galvanised, high-speed thread, drop-forged, as per ISO 898 T. 2.

Info	kg	Pack	Part No.	for order volume of: €/each		
AF 19	0.03	200	07040	1:	0.35	200: 0.25 1000: 0.20
AF 22	0.03	200	07041	1:	0.35	200: 0.25 1000: 0.20

SNP



Scaffold plank

Rux scaffold planks are absolute safety products and as such are treated with the utmost care during the production process. Strict criteria apply for the selection of the raw materials and for the testing of the end product which, of course, corresponds to the DIN 4074, class S 10, standard. Thickness: 45 mm.

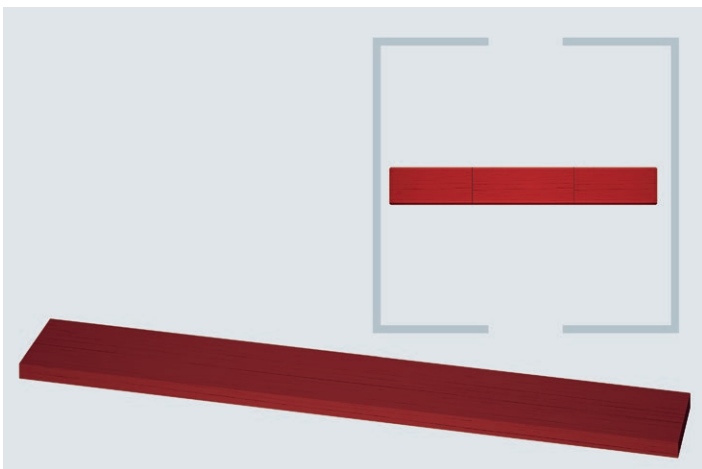
H/L x B (m)	kg	Pack	Part No.	for order volume of: €/each		
1.00 x 0.24	6.00	80	01075	1: 5.18	80: 4.10	240: 3.67
1.50 x 0.24	9.00	80	01078	1: 7.78	80: 6.16	240: 5.51
2.00 x 0.24	12.00	80	01080	1: 10.37	80: 8.21	240: 7.34
2.50 x 0.24	15.00	80	01082	1: 12.96	80: 10.26	240: 9.18
3.00 x 0.24	18.00	80	01083	1: 15.55	80: 12.31	240: 11.02
3.50 x 0.24	21.00	80	01086	1: 18.14	80: 14.36	240: 12.85
4.00 x 0.24	24.00	80	01090	1: 20.74	80: 16.42	240: 14.69
4.50 x 0.24	27.00	80	01094	1: 23.33	80: 18.47	240: 16.52
5.00 x 0.24	30.00	80	01095	1: 25.92	80: 20.52	240: 18.36
1.00 x 0.28	7.00	80	01106	1: 6.05	80: 4.97	240: 4.28
1.50 x 0.28	10.50	80	01107	1: 9.07	80: 7.18	240: 6.43
2.00 x 0.28	14.00	80	01109	1: 12.10	80: 9.58	240: 8.57
2.50 x 0.28	17.50	80	01111	1: 15.12	80: 11.97	240: 10.71
3.00 x 0.28	21.00	80	01112	1: 18.14	80: 14.36	240: 12.85
3.50 x 0.28	24.50	80	01114	1: 21.17	80: 16.76	240: 14.99
4.00 x 0.28	28.00	80	01115	1: 24.19	80: 19.15	240: 17.14
4.50 x 0.28	31.50	80	01116	1: 27.22	80: 21.55	240: 19.28
5.00 x 0.28	35.00	80	01117	1: 30.24	80: 23.94	240: 21.42

SNP

Larger quantities on request

SMART DETAILS

Plank width cm	Scaffold group	Plank thickness in cm				
		3.0	3.5	4.0	4.5	5.0
		Permissible span in m				
20	1, 2, 3	1.25	1.50	1.75	2.25	2.50
24 und 28	1, 2, 3	1.25	1.75	2.25	2.50	2.75
20	4	1.25	1.50	1.75	2.25	2.50
24 und 28	4	1.25	1.75	2.00	2.25	2.50
20, 24, 28	5	1.25	1.25	1.50	1.75	2.00
20, 24, 28	6	1.00	1.25	1.25	1.50	1.75



Special system plank, bonded, red impregnation

System-independent safety deck for modular and tube/coupler scaffolding. Tested in accordance with DIN 4074, class S 10. Laser testing of the individual slats to distinctly reduce the risk of break. High safety potential for those using the scaffolding. Long service life thanks to environmentally-friendly impregnation. Planed and chamber dried. Thickness: 45 mm

H/L x B (m)	kg	Pack	Part No.	for order volume of: €/each		
1.00 x 0.24	6.00	80	01096	1: 8.55	80: 6.86	240: 6.27
1.50 x 0.24	9.00	80	01097	1: 12.80	80: 10.30	240: 9.40
2.00 x 0.24	12.00	80	01098	1: 17.10	80: 13.72	240: 12.53
2.50 x 0.24	15.00	80	01099	1: 21.35	80: 17.15	240: 15.66
3.00 x 0.24	18.00	80	01100	1: 25.60	80: 20.57	240: 18.79
3.50 x 0.24	21.00	80	01101	1: 29.86	80: 24.00	240: 21.92
4.00 x 0.24	24.00	80	01102	1: 34.13	80: 27.43	240: 25.06

SNP



Surcharge for hooped scaffold planks

You would like to permanently protect your scaffold planks with steel strip? We will take on this task for you for a small surcharge. Prices incl. steel strip for each plank.

Art. No. 01069: studded with corrugated steel strip

Art. No. 01071: cornered and hooped with galvanised steel strip, incl. name imprint.

Info	H/L x B (m)	kg	Pack	Part No.	€/each
				01069	1.90
				01071	2.90



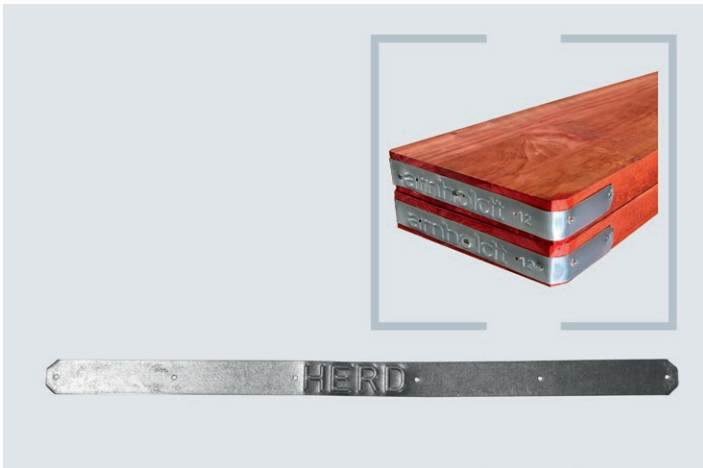
Steel strip for scaffold planks

Galvanised, with angled corners. Permanent protection for scaffold plank head sections. Lengthens service life and applicability even when subjected to the very highest demands.

The weight indicated refers to 100 pieces.

H/L x B (m)	kg	Pack	Part No.	for order volume of: €/each		
0.50 x 0.03	11.00		00757	1: 0.52	100: 0.43	1000: 0.41
0.60 x 0.03	12.00		00759	1: 0.60	100: 0.46	1000: 0.43

SNP



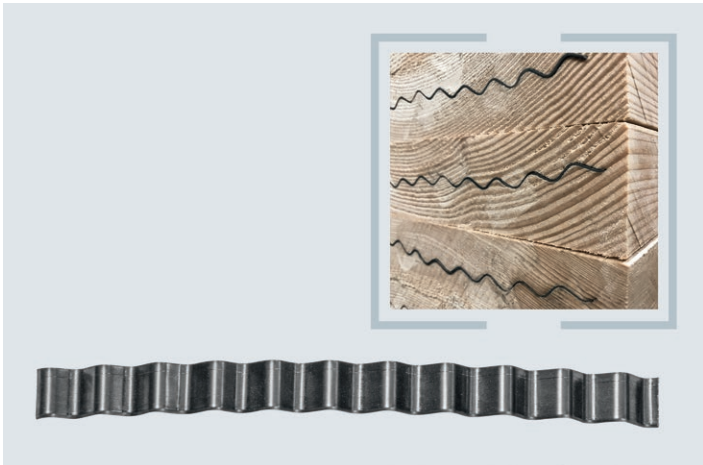
Steel strip for scaffold planks with name imprint

Galvanised, with angled corners and name imprint. On the one hand, it is permanent advertising for your company while on the other hand, it ideally reflects the ownership situation, particularly at large building sites with many different trades working there.

The weight indicated refers to 100 pieces.

H/L x B (m)	kg	Pack	Part No.	for order volume of: €/each		
0.50 x 0.03	11.00		00758	1: 0.64	100: 0.47	1000: 0.44
0.60 x 0.03	12.00		00760	1: 0.73	100: 0.52	1000: 0.49

SNP

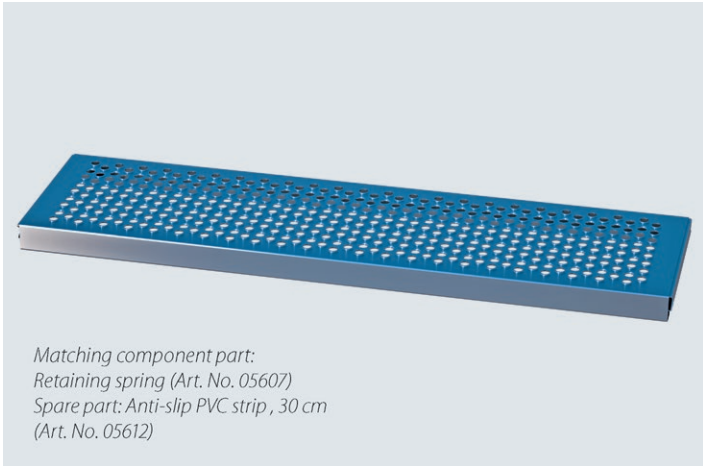


Corrugated steel strip

Bright, for hammer-insertion into the head section of the planks. Price per roll (approx. 50 m). Thickness: 0.9 mm

H/L x B (m)	kg	Pack	Part No.	for order volume of: €/each	
50.00 x 0.02	6.80	1	00761	1: 39.50	10: 27.00

SNP



Matching component part:
Retaining spring (Art. No. 05607)
Spare part: Anti-slip PVC strip, 30 cm
(Art. No. 05612)

Steel deck – system-independent

The alternative to system-independent scaffold boards. Robust, durable and resilient both against mechanical loads as well as chemical or weather-related influences. The ideal solution when fire protection requirements are particularly demanding. Perforated anti-slip surface. Firmly integrated anti-slip section ensures a secure fit on scaffold tubes and ledgers.

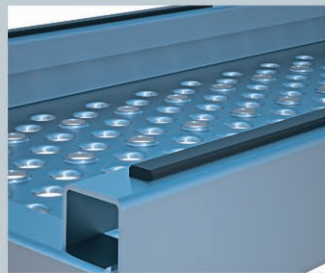
H/L x B (m)	kg	Pack	Part No.	for order volume of: €/each		
1.00 x 0.19	4.60	80	05622	1: 33.20	50: 23.00	200: 21.50
1.50 x 0.19	6.40	80	05623	1: 39.20	50: 26.95	200: 25.20
2.00 x 0.19	8.60	80	05624	1: 45.30	50: 31.00	200: 29.00
2.50 x 0.19	13.60	80	05625	1: 58.00	50: 38.80	200: 36.50
3.00 x 0.19	16.20	80	05636	1: 67.00	50: 48.60	200: 46.00
1.00 x 0.26	5.40	80	05608	1: 34.20	50: 24.00	200: 22.50
1.50 x 0.26	7.80	80	05609	1: 39.90	50: 27.70	200: 25.90
2.00 x 0.26	10.20	80	05610	1: 45.80	50: 31.50	200: 29.50
2.50 x 0.26	16.00	80	05611	1: 59.60	50: 39.80	200: 37.50
3.00 x 0.26	19.60	80	05606	1: 68.50	50: 49.60	200: 47.00
1.00 x 0.30	5.80	80	05612	1: 34.20	50: 24.00	200: 22.50
1.50 x 0.30	8.40	80	05613	1: 39.90	50: 27.70	200: 25.90
2.00 x 0.30	11.00	80	05614	1: 45.80	50: 31.50	200: 29.50
2.50 x 0.30	17.60	80	05617	1: 59.60	50: 39.80	200: 37.50
3.00 x 0.30	21.20	80	05628	1: 68.50	50: 49.60	200: 47.00

SNP

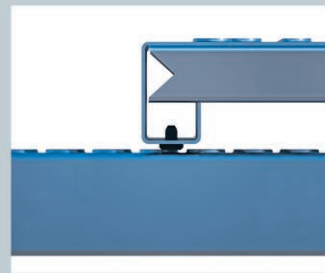
SMART DETAILS



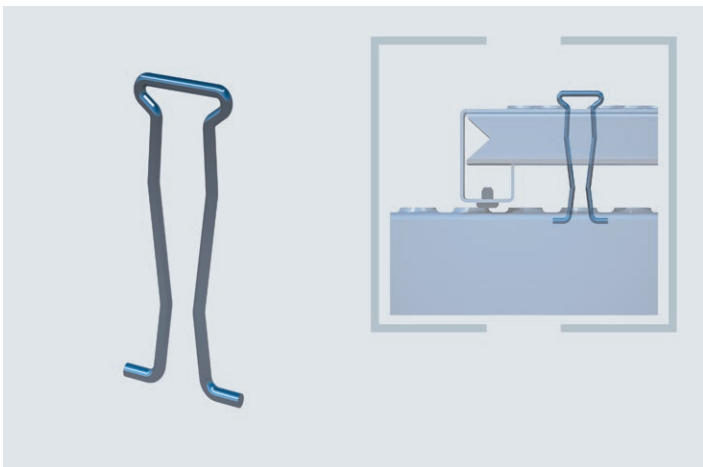
Industry – The stable yet light steel deck allows support widths of up to 2.70 m. Ideal for industrial applications where certain material types e.g. wood cannot be used.



Anti-slip – In comparison to wood or steel decks, the integrated plastic strip ensures a secure hold on the supporting structure.



Secure – When scaffolding is installed inside buildings, additional securing of the decks is frequently unnecessary.



Retaining spring for system-independent steel decks

Robust steel wire, hot-galvanised, to secure the system-independent steel decks against lift.

H/L x B (m)	kg	Pack	Part No.	for order volume of: €/each		
0.06 x 0.01	0.01	250	05607	1: 0.39	100: 0.30	500: 0.26

SNP

BUILDING BRIDGES, CLOSING GAPS

NO PROBLEM WITH OUR LATTICE GIRDERS

When bridging openings, passages or other irregular structures, lattice girders of various types are the number one choice. Or are they sometimes a little over-dimensioned for you? So what do you think of the slimmer Berlin connector? Or in the opposite case, the modular, extendable K-Frame – no sagging here, even with a span of 20 m! And you can even put a scaffolding on top.

LATTICE GIRDERS [01]

Classic bridging is implemented with lattice girders. Available in aluminium or steel and in various installation heights and lengths, they can be used in a number of different ways. And with the appropriate adapters, they can be integrated into a scaffolding system quite readily i.e. without any couplers – for example, with the lattice girder adapters for the RINGSKAFF modular scaffolding.

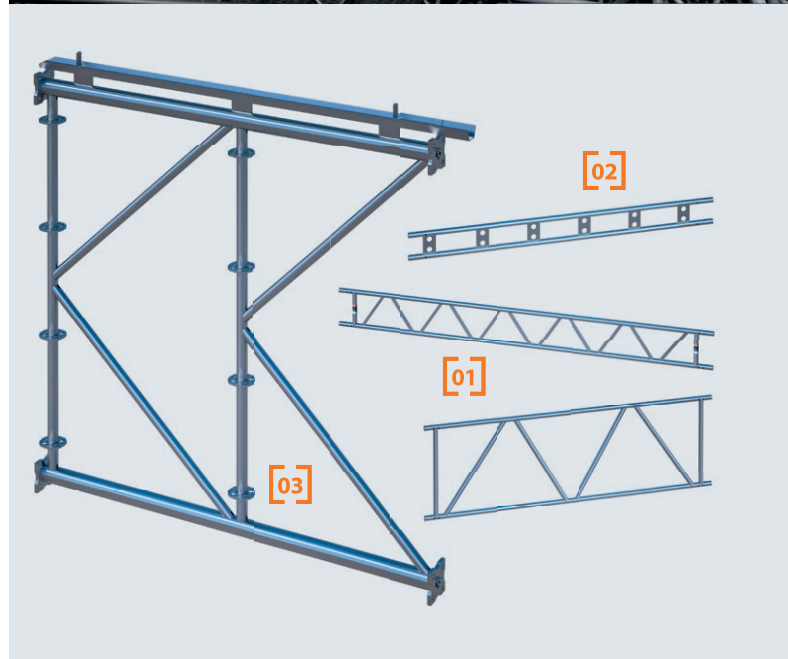
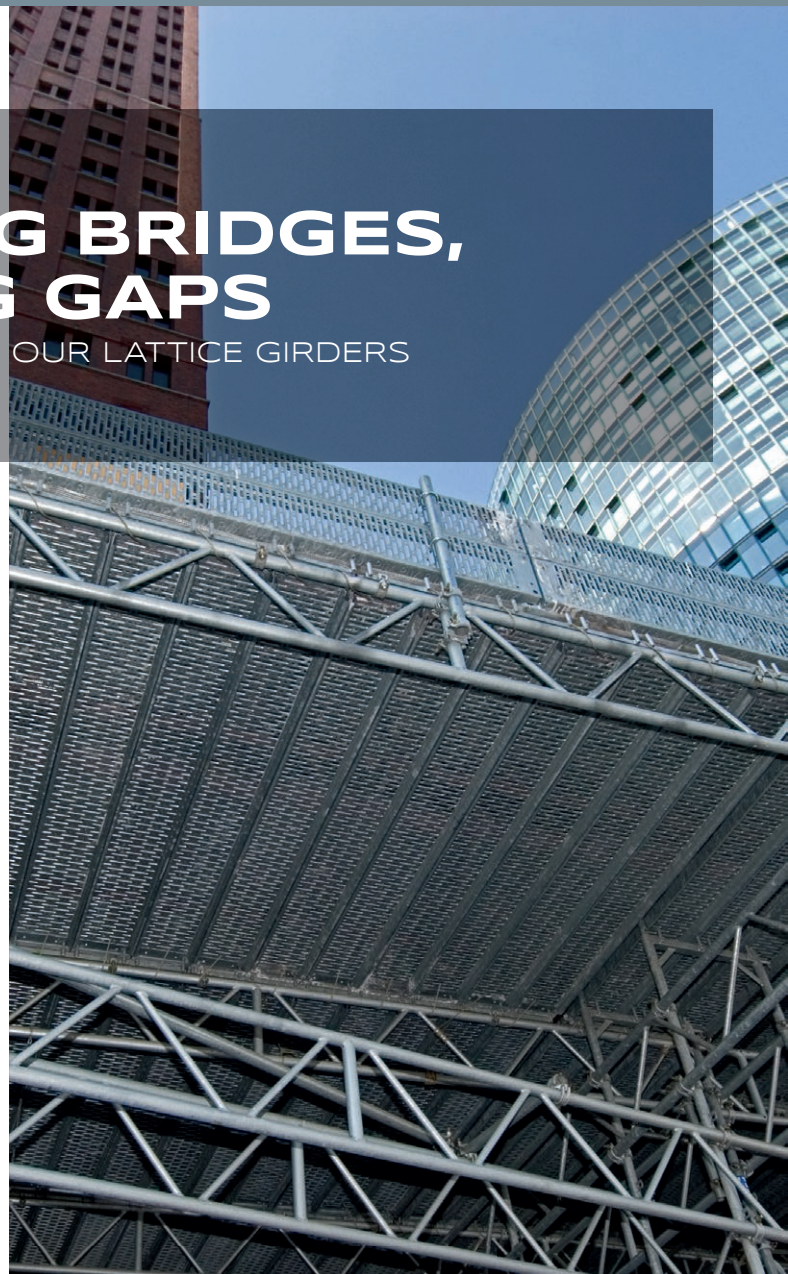
BERLIN CONNECTOR [02]

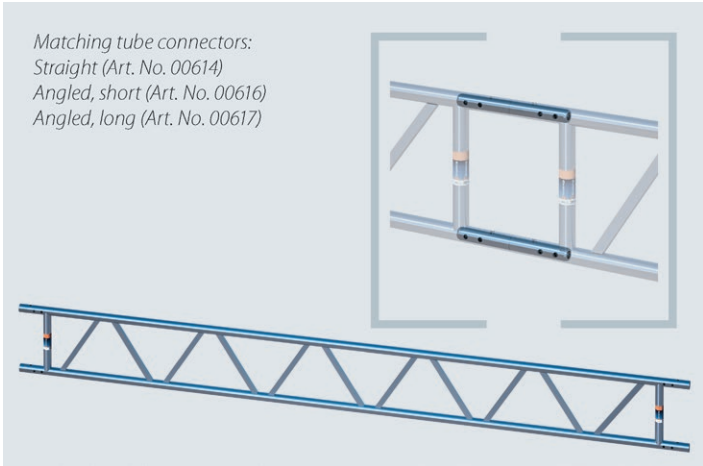
The Berlin connector is less well known but is often absolutely sufficient. Given its low installation height and smart perforation holes, not only can simple bridges or bracings be realised, but – together with simple tubes – even entire platforms (see SMART CLIP).



BIG BADA BOOM! [03]

And for all those that would like to have things just a little bigger and stronger, there is our K-Frame. Originally designed as a load-bearing element for the MULTI-ROOF, with which span widths of up to 40 m can be bridged without any tensioning belts, it also shapes up very well as a modular, extendable heavy-duty girder. Whether used for a pedestrian bridge or for entire scaffolds built above it (irrespective of the system), it opens up completely new application options.



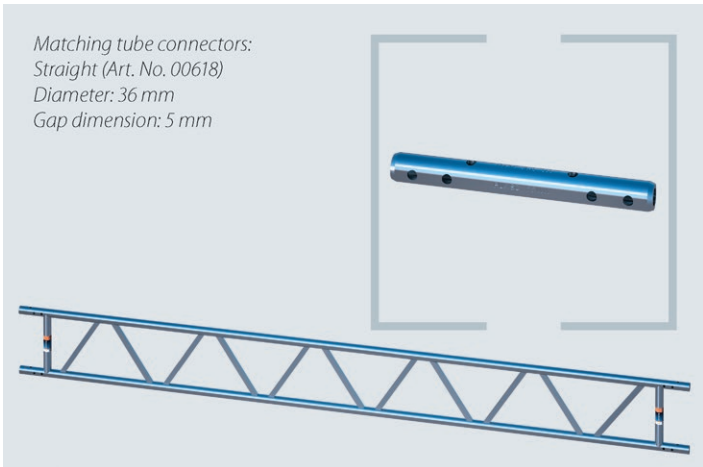


Steel lattice girder 450

System-independent: whether for bridging, birdcage scaffolds, roof structures, platforms – the lattice girder is used in innumerable practical situations. High load-bearing capacity, robust, weather-resistant, durable, Ø 48.3 mm, wall thickness 3.25 mm, installation height 450 mm, axial dimension 400 mm.

H/L x B (m)	kg	Pack	Part No.	for order volume of: €/each		
3.20 x 0.45	30.00	10	00632	1: 115.00	10: 85.00	20: 79.00
4.20 x 0.45	37.00	10	00633	1: 152.00	10: 110.50	20: 98.80
5.20 x 0.45	48.00	10	00634	1: 185.00	10: 136.50	20: 125.60
6.20 x 0.45	61.00	10	00635	1: 212.00	10: 154.50	20: 142.50
7.30 x 0.45	70.00	10	00636	1: 258.00	10: 179.80	20: 166.40
7.80 x 0.45	75.00	10	00637	1: 276.00	10: 196.50	20: 178.70

SNP

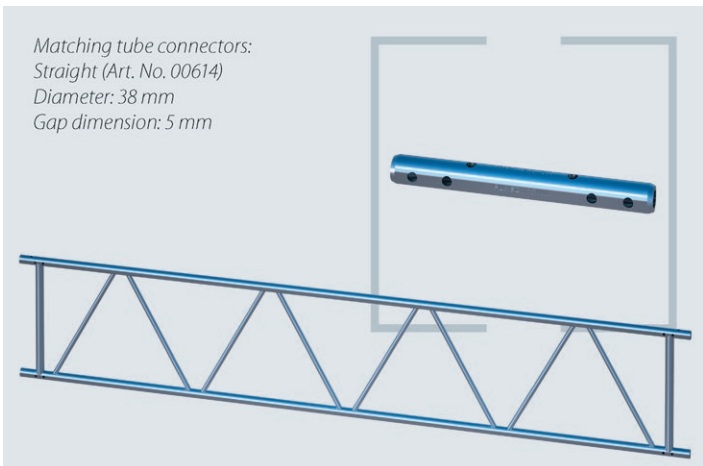


Aluminium lattice girder 450

Ø 48,3 mm, wall thickness 4 mm, axial dimension 400 mm. More than 50 % weight saving compared to steel lattice girders. So distinct advantages in terms of transport, handling and assembly. System-independent, high load-bearing capacity, robust, weather-resistant, durable.

H/L x B (m)	kg	Pack	Part No.	for order volume of: €/each		
3.20 x 0.45	13.00	10	00982	1: 145.00	10: 113.00	20: 99.80
4.20 x 0.45	17.00	10	00983	1: 188.00	10: 142.00	20: 132.50
5.20 x 0.45	21.00	10	00984	1: 219.00	10: 168.00	20: 155.00
6.20 x 0.45	25.00	10	00985	1: 259.50	10: 196.50	20: 180.50
8.20 x 0.45	33.00	10	00986	1: 345.00	10: 258.00	20: 239.00

SNP

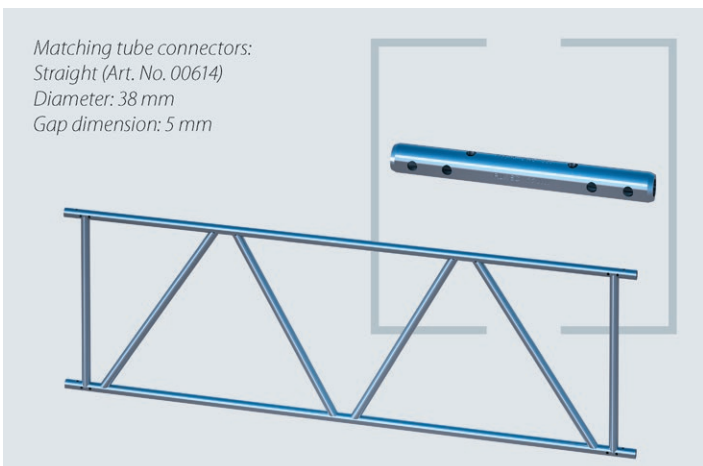


Steel lattice girder 750

Enhanced yield strength, $s = 320 \text{ N/mm}^2$, Ø 48.3 mm, wall thickness 3.25 mm, height 750 mm. Axial dimension 700 mm. Suitable as a bridging girder for special structures with high load-bearing demands and for large span widths.

H/L x B (m)	kg	Pack	Part No.	for order volume of: €/each		
2.00 x 0.75	27.00	10	00781	1: 131.00	10: 103.00	20: 93.00
3.00 x 0.75	31.00	10	00782	1: 175.00	10: 138.00	20: 125.00
4.00 x 0.75	42.00	10	00783	1: 216.00	10: 171.00	20: 156.00
5.00 x 0.75	50.00	10	00784	1: 274.00	10: 217.00	20: 198.00
6.00 x 0.75	60.00	10	00785	1: 324.00	10: 257.00	20: 234.00
7.00 x 0.75	69.00	10	00786	1: 365.00	10: 289.00	20: 263.00
7.50 x 0.75	75.00	10	00787	1: 378.00	10: 299.50	20: 275.00

SNP



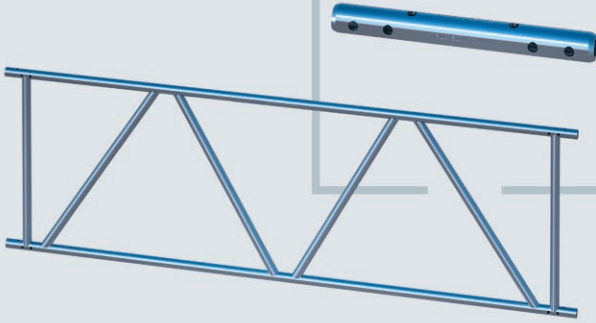
Steel lattice girder 1000

Heavy-duty lattice girder, Ø 48.3 mm, wall thickness 3.60 mm, height 1.050 mm. Axial dimension 1,000 mm.

H/L x B (m)	kg	Pack	Part No.	for order volume of: €/each		
1.64 x 1.05	33.00	10	01492	1: 169.00	10: 139.00	20: 129.00
2.26 x 1.05	35.00	10	01494	1: 202.00	10: 161.50	20: 151.50 ①
2.87 x 1.05	51.00	10	01495	1: 262.00	10: 206.50	20: 196.50
4.12 x 1.05	62.00	10	01497	1: 354.00	10: 275.00	20: 265.00 ①
5.36 x 1.05	83.00	10	01499	1: 445.00	10: 343.00	20: 333.00

SNP

Matching tube connectors:
 Straight (Art. No. 00618)
 Diameter: 36 mm
 Gap dimension: 5 mm

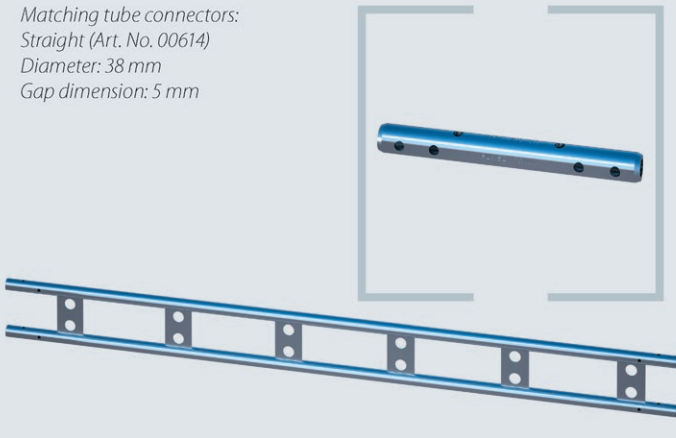

Aluminium lattice girder 1000

More than 50 % weight saving compared to steel lattice girders. So distinct advantages in terms of transport, handling and assembly. Wall thickness 4 mm, Ø 48.3 mm. Low weight. For the take-up of high loads and for the fitting of bridging – yet has a very low weight. Axial dimension 1,000 mm.

H/L x B (m)	kg	Pack	Part No.	for order volume of: €/each		
3.20 x 1.05	16.70	10	07115	1: 215.00	10: 159.00	20: 148.00 ①
4.20 x 1.05	21.90	10	07116	1: 270.00	10: 199.00	20: 185.00 ①
5.20 x 1.05	25.90	10	07117	1: 322.00	10: 235.00	20: 219.00 ①
6.20 x 1.05	30.80	10	07118	1: 382.00	10: 279.00	20: 259.00 ①

SNP

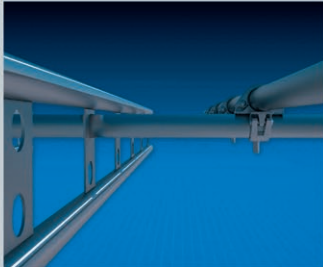
Matching tube connectors:
 Straight (Art. No. 00614)
 Diameter: 38 mm
 Gap dimension: 5 mm


Berlin connector

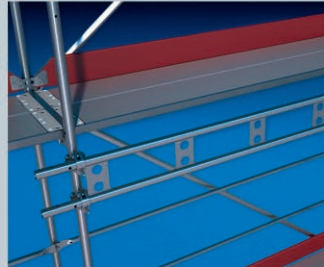
Tube diameter Ø 48.3 mm.

H/L x B (m)	kg	Pack	Part No.	for order volume of: €/each		
2.00 x 0.21	16.80	10	00816	1: 79.50	10: 55.70	20: 51.70
3.00 x 0.21	25.20	10	00817	1: 112.00	10: 78.40	20: 72.80
5.00 x 0.21	42.00	10	00819	1: 182.00	10: 127.40	20: 118.30

SNP

SMART DETAILS


Working platforms – Inserted tubes as well as fitted cross tubes have exactly the same height – ideal for efficient, high-performance working platforms.



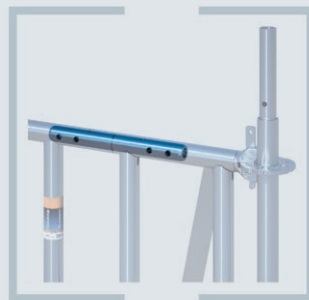
Inner standard – The Berlin connector is easy to handle and can be used as a supporting beam or to strengthen the inner standards.



Subsequently – The low installation height of 21.30 cm enables subsequent fitting within the permissible wall clearance.



Matching component parts:
 Hexagonal steel bolt M12 x 65, 8.8
 (Art. No. 00888)
 Locking pin connector (Art. No. 04662)


Tube connector for lattice girder, straight

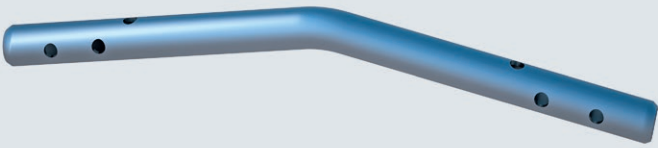
For the tight and pressure-resistant connection of RUX lattice girders for the continuing extension; Ø 38 x 5 mm.

Info	kg	Pack	Part No.	for order volume of: €/each		
L: 370 mm	2.50	20	00614	1: 14.90	10: 12.90	20: 10.90

SNP



Matching component parts:
Hexagonal steel bolt M12 x 65, 8.8 (Art. No. 00888)
Locking pin connector (Art. No. 04662)



Tube connector for lattice girder, angled, long

For the tight and pressure-resistant connection of lattice girders with 3.25 mm wall thickness for the construction of roof structures; Ø 38 x 4 mm.

Info	kg	Pack	Part No.	for order volume of: €/each		
L: 658 mm	2.40	100	00617	1: 14.80	10: 11.90	20: 10.90

SNP

Matching component parts:
Hexagonal steel bolt M12 x 65, 8.8 (Art. No. 00888)
Locking pin connector (Art. No. 04662)



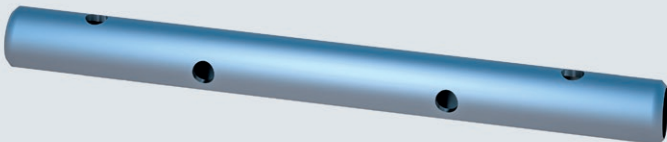
Tube connector for lattice girder, angled, short

For the tight and pressure-resistant connection of lattice girders with 3.25 mm wall thickness for the construction of roof structures; Ø 38 x 4 mm.

Info	kg	Pack	Part No.	for order volume of: €/each		
L: 517 mm	2.00	100	00616	1: 13.70	10: 10.90	20: 9.90

SNP

Matching component parts:
Hexagonal steel bolt M12 x 65, 8.8 (Art. No. 00888)
Locking pin connector (Art. No. 04662)



Tube connector for heavy-duty lattice girder

For the tight and pressure-resistant connection of lattice girders for the continuing extension.
Version: LA with 4 holes.

H/L x B (m)	kg	Pack	Part No.	for order volume of: €/each		
	2.03	100	06206	1: 12.30	10: 9.90	20: 9.20 ①

SNP

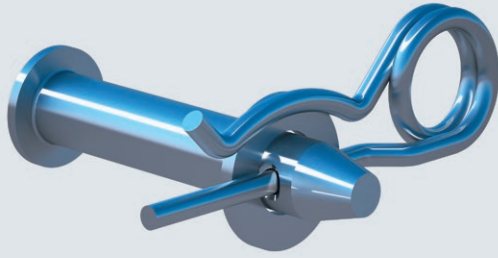
Hexagonal steel bolt M12 x 65, 8.8

4 pieces are needed for each tube connector to enable a tight and pressure-resistant lattice girder connection. Suitable for all lattice girders and tube connector models as well as for passage frame standards in the RUX SUPER system. Price includes nut.

H/L x B (m)	kg	Pack	Part No.	for order volume of: €/each		
0.07	0.10	100	00888	1: 0.60	10: 0.50	100: 0.40

SNP

Consisting of connector,
 washer and locking pin

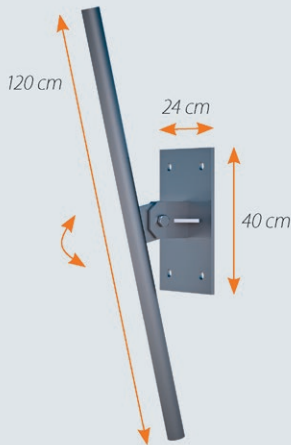


Locking pin connector, complete

The efficient, screw-free alternative to the hexagonal steel bolt out of high-performance material. Saves a lot of fastening effort and thereby time during assembly work. Can be used universally for all types of lattice girder. Secured by means of a washer and locking pin; Ø 12 mm.

H/L x B (m)	kg	Pack	Part No.	for order volume of: €/each		
	0.09	100	04662	1:	2.10	10: 1.96 50: 1.67

SNP



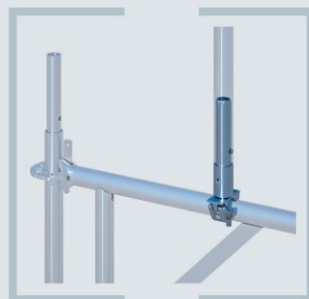
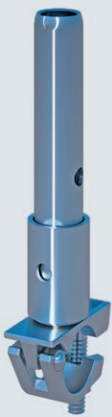
Wall clearance, tube: 17 cm

Wall connection plate for lattice girder

Used at structures where there is no direct supporting surface for the scaffolding or where such an area has to remain free. It enables a load-bearing connection between the building and the lattice girder. Suitable for all conventional lattice girder models. The integrated joint means that slight inclines can be compensated. Ø 20 mm drill hole. Dimensions of the base plate: 24 cm x 40 cm.

H/L x B (m)	kg	Pack	Part No.	for order volume of: €/each		
1.20	15.60	1	00639	1:	68.50	4: 53.50 12: 44.90

SNP



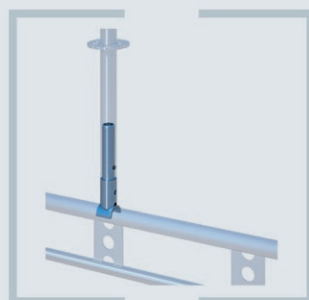
Matching component parts:
 Hexagonal steel bolt M12 x 65, 8.8
 (Art. No. 00888)
 Locking pin connector (Art. No. 04662)

Tube connector with semi-coupler

Universal use. To fit vertical frames, modular standards or scaffold tubes to e.g. lattice girders, triangular supports, vertically-running scaffold tubes, etc. Attached with standard scaffold coupler and connected using standardised tube supports.

Info	kg	Pack	Part No.	for order volume of: €/each		
AF 19	1.80	20	00470	1:	14.00	10: 11.50 20: 9.50
AF 22	1.80	20	00471	1:	14.00	10: 11.50 20: 9.50

SNP

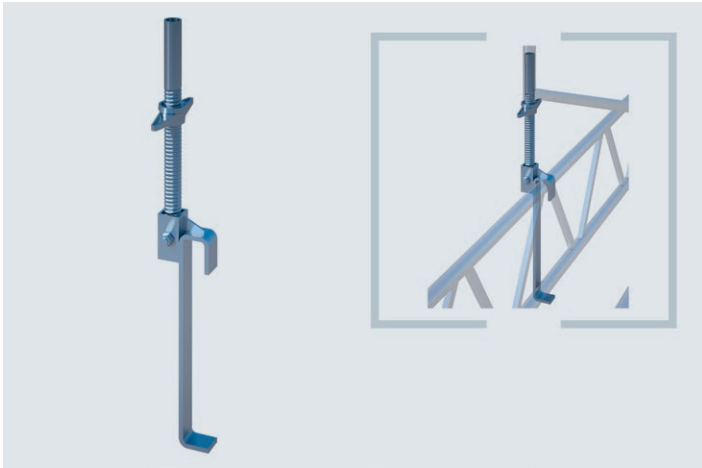


Matching component parts:
 Hexagonal steel bolt M12 x 65, 8.8
 (Art. No. 00888)
 Locking pin connector (Art. No. 04662)

Tube connector, universal

With semi-round hook-up support. Used for double ledgers, system girders or lattice girders.

Info	H/L x B (m)	kg	Pack	Part No.	€/each
	0.27 x 0.04	0.97	20	08005	18.20 ①

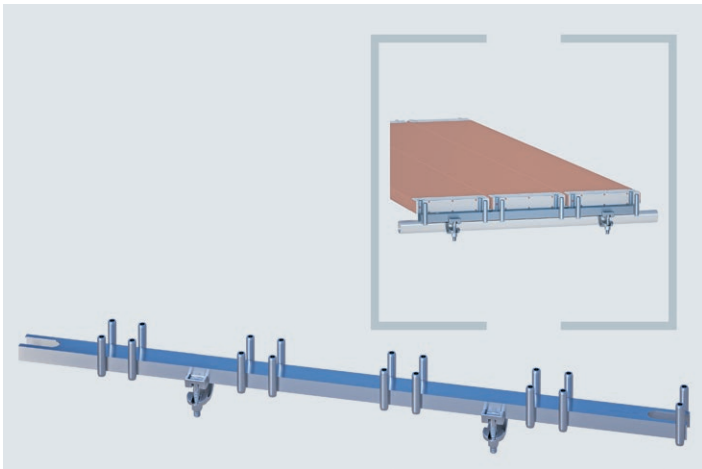


Adapter for vertical frames on lattice girder bridges

For the safe and rapid assembly of vertical frames or modular standards on lattice girders. Suitable for all conventional scaffolding systems and lattice girders with an installation height of 0.45 m. Self-securing structure with threaded spindle for height adjustment. Diameter of the spindle: 38 mm; length of the spindle: 500 mm.

H/L x B (m)	kg	Pack	Part No.	for order volume of: €/each		
	5.90	1	00638	1: 37.50	4: 26.50	12: 24.50

SNP



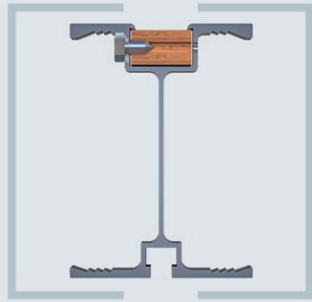
Support rail – RX metric

For the assembly of large-sized or birdcage scaffolds in combination with SUPER decks or ladder frames. Is screw-fastened to lattice girders, tubes or modular ledgers. Enables large span widths without any inconvenient and disturbing standard structures below.

Info	H/L x B (m)	kg	Pack	Part No.	€/each
1 plank 0,29 m	0.35	2.70	50	00629	38.10 ①
2 planks 0,29 m	0.65	3.70	50	00628	41.00
3 planks 0,29 m	1.00	4.40	50	00622	45.00
4 planks 0,29 m +1 plank 0,19 m	1.50	6.00	50	00625	64.00
5 planks 0,29 m +2 plank 0,19 m	2.00	7.60	50	00626	82.00
8 planks 0,29 m	2.50	9.40	50	00623	105.70

Please state AF

Matching component part:
Fishplate (Art. No. 01020)



Aluminium girder I 160

Large span width, extremely light, very robust and highly resistant. The ideal base for large-sized platform or birdcage scaffolds, larger bridging applications or shoring structures, but also for stage and stand construction. Thanks to the integrated wooden strip, attached scaffold planks can be directly fastened to the girder with a reinforcing effect and secured against slip.

H/L x B (m)	kg	Pack	Part No.	for order volume of: €/each	
6.40 x 0.12	33.90		01004	1: 360.00	10: 268.00
8.00 x 0.12	42.40		01009	1: 425.00	10: 327.00
11.90 x 0.12	47.70		01017	1: 655.00	10: 468.00

SNP



SMART DETAILS

Single field uniform load



Span L (m)	2.00	3.00	4.00	5.00	6.00	7.00	7.50	8.00
Permissible uniform load Z (kN/m)	19.70	8.75	4.90	3.10	2.15	1.55	1.30	1.17
Permissible total load Q (kN)	39.25	26.15	19.50	15.50	12.80	10.85	9.75	9.35

Single field point load at centre of field



Span L (m)	2.00	3.00	4.00	5.00	6.00	7.00	7.50	8.00
Permissible point load P (kN)	19.70	13.10	9.75	7.75	6.40	5.45	5.00	4.70

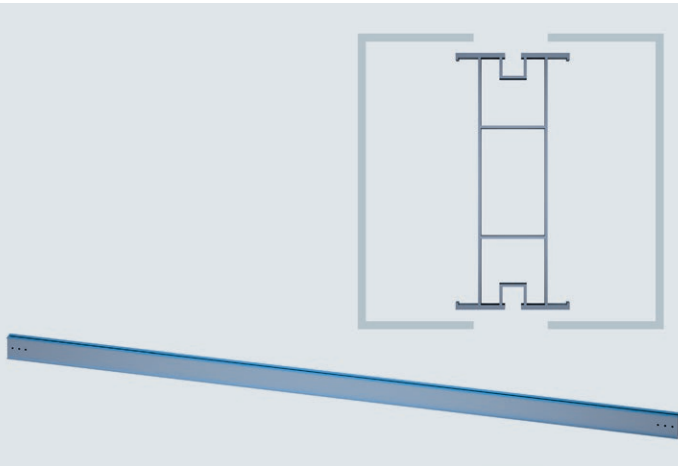
Aluminium girder TITAN 225

The TITAN among the scaffold girders. Very robust and designed to meet the very highest demands, yet optimised for handling and transport since it is made of aluminium. Suitable for the erection of heavy-duty platforms, bridging or birdcage scaffolds.

H/L x B (m)	kg	Pack	Part No.	for order volume of: €/each	
3.00 x 0.10	25.50		07124	1: 233.00	10: 216.00
5.40 x 0.10	42.50		07125	1: 385.00	10: 348.00
7.20 x 0.10	61.20		07128	1: 560.00	10: 494.00

SNP

Larger quantities on request



SMART DETAILS

Single field uniform load



Span L (m)	1.50	3.00	3.60	4.20	4.80	5.40	6.00	7.50	9.00
Permissible uniform load Z (kN/m)	54.52	30.17	17.46	10.99	7.37	5.17	3.77	1.93	1.12

Single field point load at centre of field



Span L (m)	1.50	3.00	3.60	4.20	4.80	5.40	6.00	7.50	9.00
Permissible point load P (kN)	40.89	56.57	39.28	28.86	22.10	17.46	14.14	9.05	6.29



Fishplate for aluminium girder 160

Galvanised, to extend 2 I-girders. Set consists of 2 fishplates and 4 screws (M16 x 100 mm).

H/L x B (m)	kg	Pack	Part No.	for order volume of: €/each		
0.60 x 0.21	11.40	1	01020	1:	49.00	10: 45.00

SNP

①



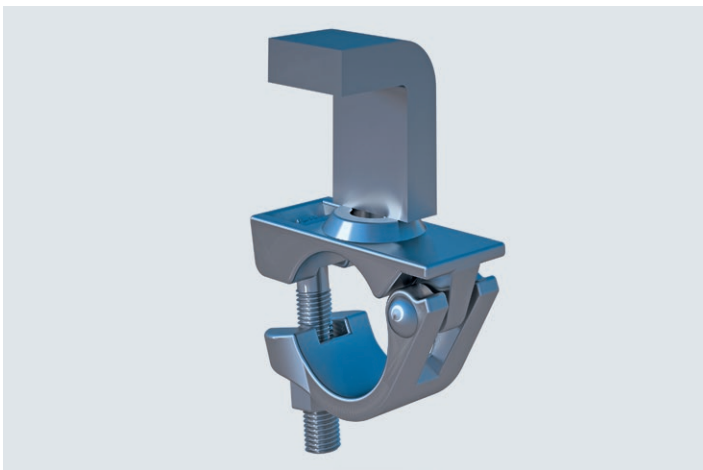
Fishplate for TITAN H-girder 225

Galvanised, to extend 2 H-girders. Set consists of 2 fishplates and 6 screws (M16 x 100 mm).

H/L x B (m)	kg	Pack	Part No.	for order volume of: €/each		
0.60 x 0.21	16.00	1	07130	1:	65.00	10: 59.00

SNP

①



Carrier coupler

Semi-coupler with welded-on steel angle for the attachment of scaffold tubes or lattice girders to steel structures or girders. Frequently used for birdcage or suspension scaffolds. Mostly fitted as pairs e.g. on double T-girders. Angle height 50 mm. Maximum permissible load 9 kN. Tightening torque of the collar nuts 50 Nm. Corresponds to EN 74.

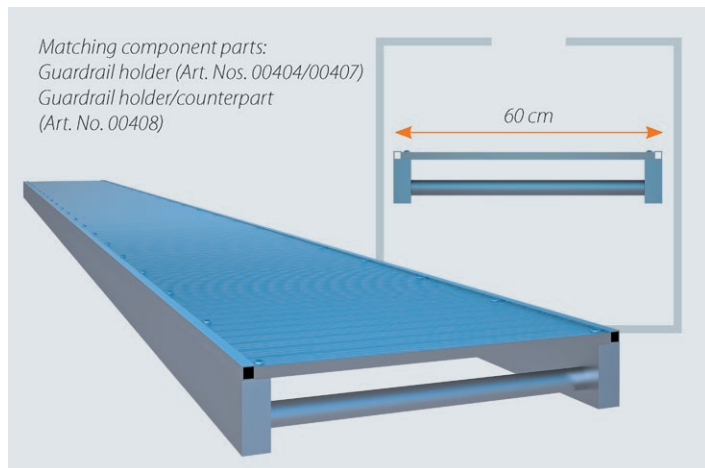
steel structures, 9 kN permissible load, to be fitted in pairs, with collar nuts of 19 or 22 mm width across the flat.

Galvanized collar nuts and T-bolt.

Tightening torque of the collar nuts 50 Nm.

Info	kg	Pack	Part No.	for order volume of: €/each		
AF 19	1.10	25	00453	1:	9.70	100: 7.30 250: 6.95
AF 22	1.10	25	00454	1:	9.70	100: 7.30 250: 6.95

SNP

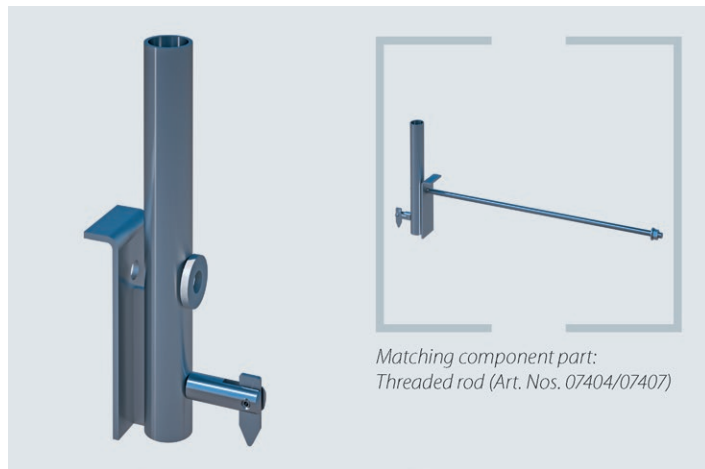


Aluminium walkway

Much more than just a walkway. Versatile product with innumerable application possibilities. Often used in birdcage scaffolds or for bridging due to its span width and enables the efficient assembly of working or protective scaffolds and can even be integrated into catch scaffolds or roof safety systems as per DIN 4420. It is also used to create temporary, auxiliary pathways in the case of flooding for instance. When several walkway sections are positioned next to one another, they are secured with connecting rods and bolted down.

H/L x B (m)	kg	Pack	Part No.	for order volume of: €/each		
4.00 x 0.57	23.00	1	00987	1: 437.80	10: 358.00	①
5.20 x 0.57	30.00	1	00988	1: 472.00	10: 429.00	①
6.00 x 0.57	35.00	1	00989	1: 529.00	10: 481.00	①
8.00 x 0.57	59.00	1	00990	1: 817.00	10: 734.00	①

SNP

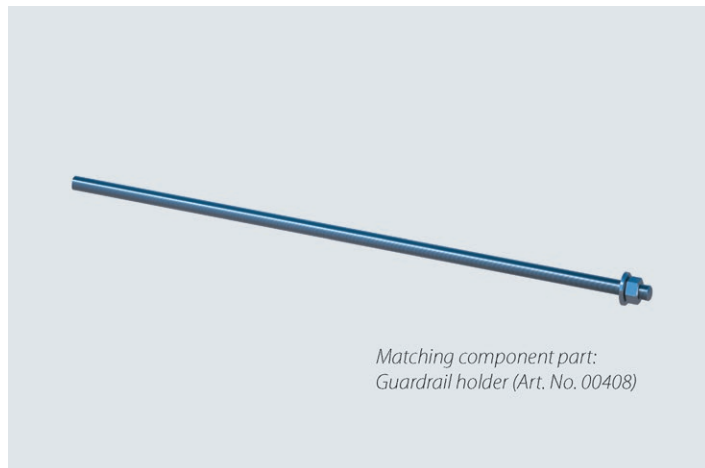


Guardrail holder for aluminium walkway

Tube connecting pieces for the attachment of any system guardrail posts, scaffold tubes or modular standards. Enables simple fitting of the 3-piece side protection or of catch and roof safety systems. Can also be used as a counterpart.

H/L x B (m)	kg	Pack	Part No.	for order volume of: €/each	
	1.40	1	00408	1: 20.80	10: 17.40

SNP

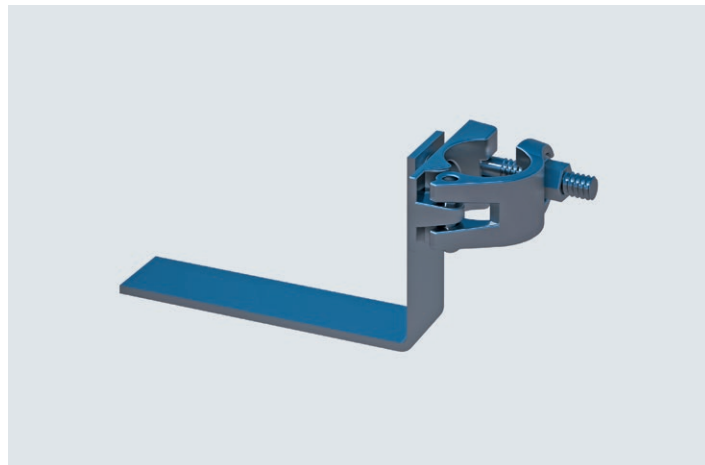


Threaded rod for guardrail holder

Threaded rod for use with guardrail holder/counterpart. Is inserted through the drill holes envisaged for this in the aluminium walkway. Can be used individually to connect two aluminium walkways positioned next to each other.

Info	kg	Pack	Part No.	for order volume of: €/each		
for 1 walkway	0.83	1	07404	1: 7.80	10: 7.00	
for 2 walkways	1.48	1	07407	1: 13.30	10: 12.00	①

SNP

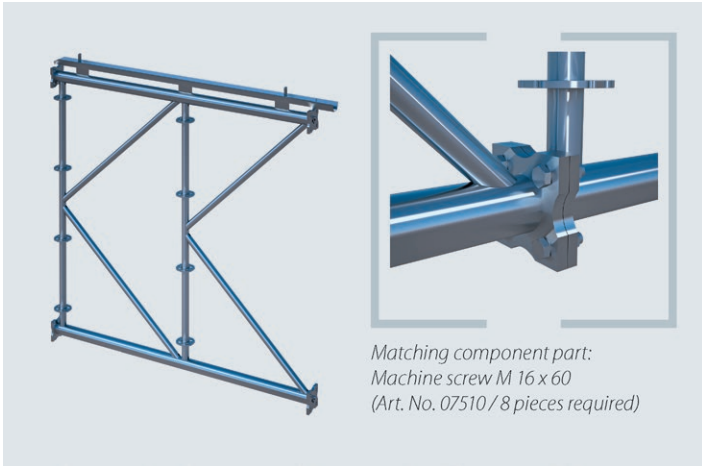


Tilt protection

Semi-coupler with welded-on angle iron. To secure the aluminium walkway against tilting to one side and against slip.

Info	kg	Pack	Part No.	for order volume of: €/each	
AF 19	1.00	10	00401	1: 15.60	10: 13.80
AF 22	1.00	10	00402	1: 15.60	10: 13.80

SNP



Matching component part:
Machine screw M 16 x 60
(Art. No. 07510 / 8 pieces required)

K-Frame

Steel girder for the take-up of extreme loads and large span widths with integrated MULTI-ROOF support for roof cassettes (e.g. Art. No. 01469) and welded-on connection flange. Ring for the attachment of RINGSCAFF ledgers and diagonals.

8 x bolt and nut M16 x 60 incl. 2 x washers are required for each K-Frame. Axial dimension 1,800 mm.

Info	H/L x B (m)	kg	Pack	Part No.	€/each
	2.00 x 1.80	75.70	10	07501	349.00 ①
	3.00 x 1.80	108.60	10	07502	460.00
	6.00 x 1.80	208.40	10	07503	849.00

NEW

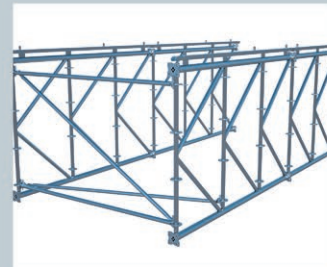
SMART DETAILS



Scaffold bridge – K-Frame as the basis for your modular or façade scaffolding saves an enormous amount of time and material quantities. Ideal when the supporting surface is not as it should be.



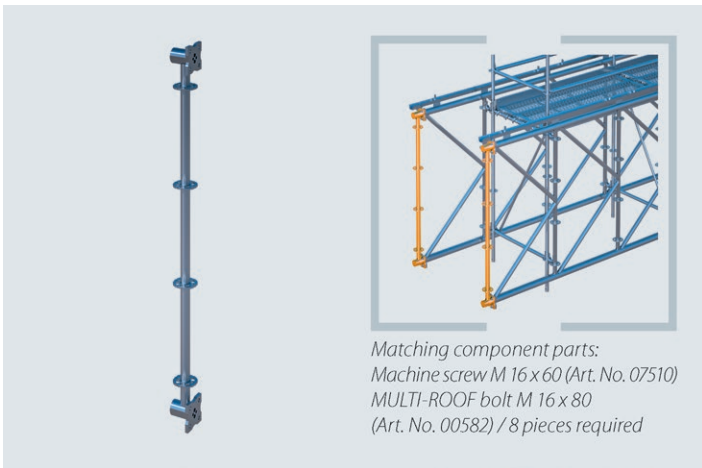
Possibilities – Pedestrian bridges are just another possible field of application for the modular girder.



Few component parts – K-Frame structures are based primarily on components that you already have in use e.g. ledgers, diagonals, Keder tarpaulins or roof cassettes.



MULTI-ROOF – K-Frame is the basic element of the modern modular MULTI-ROOF. The link will inspire you with new ideas.



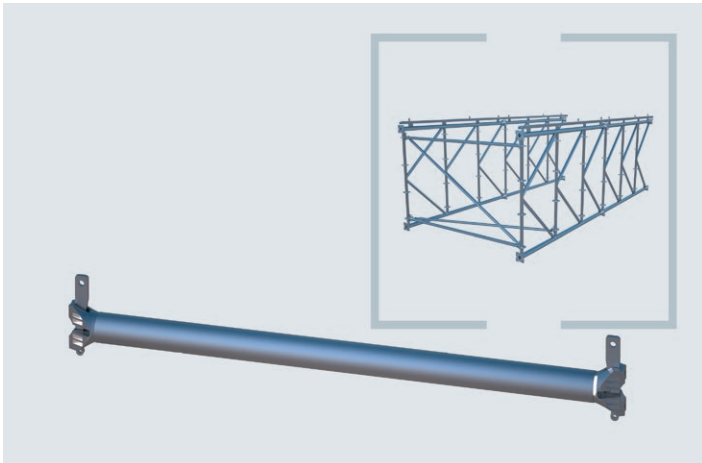
Matching component parts:
Machine screw M 16 x 60 (Art. No. 07510)
MULTI-ROOF bolt M 16 x 80
(Art. No. 00582) / 8 pieces required

K-Frame end section

Comes with 4 rings for the attachment of RINGSCAFF ledgers and diagonals. 8 x bolt and nut M16 x 80 incl. 2 x washers are required for each K-Frame end section. Axial dimension 1,800 mm.

Info	H/L x B (m)	kg	Pack	Part No.	€/each
	1.80	13.90	10	07515	99.40

NEW

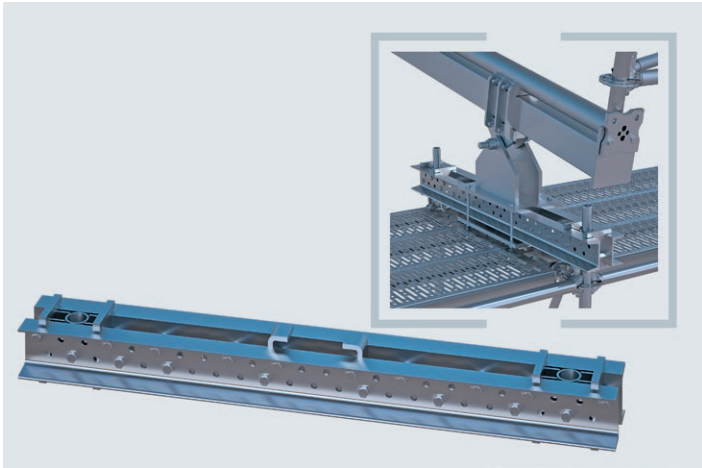


Horizontal diagonal K-Frame/MULTI-ROOF

Comes with welded-on head for attachment to RINGSCAFF rings for bracing/reinforcement and for connecting the K-Frame sections. For K-Frame bridging and MULTI-ROOF protective roofs.

Info	H/L x B (m)	kg	Pack	Part No.	€/each
	2.50 x 1.00	7.70	25	E04RS1319	45.80
	2.50 x 2.00	9.00	25	E04RS1318	49.50

NEW


Double U-shaped support, complete

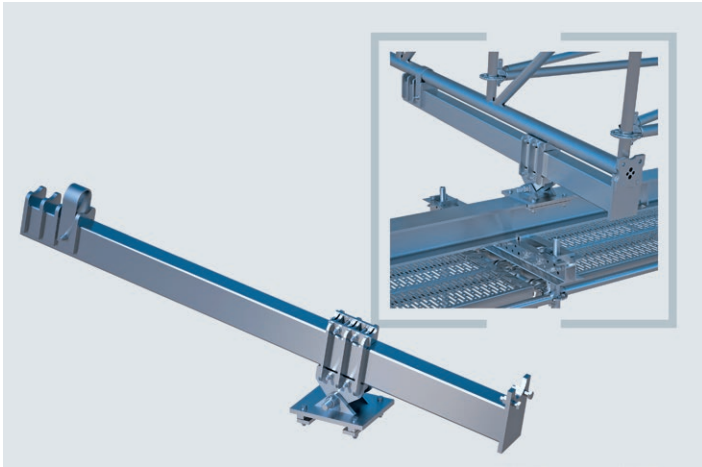
System-independent base support for mounting on the standard tube supports or the frame of the system scaffolding with 1.00 m bay widths.

Basic bearing element for the attachment of supports with direct connection to the standard axis. (Art. No. 07530),

Basic bearing element for the attachment of HEB girders (Art. No. 07520): bay-length independent, incl. standard attachment and clamp with spacer tube.

Info	H/L x B (m)	kg	Pack	Part No.	€/each
	1.35	38.30	10	07540	299.00

NEW

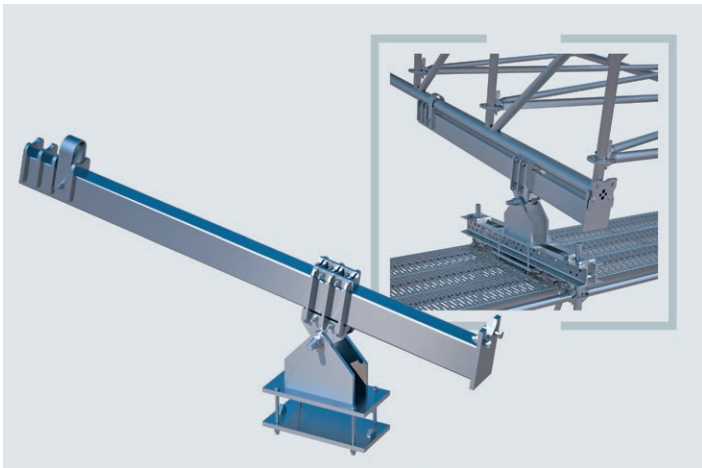

Support structure (HEB), complete

For the system-independent support of the K-Frames on the HEB support girder (Art. No. 07553).

The support angle of the roof construction can be continually adjusted thanks to the joint on the support. Moreover, the support point of the rectangular tube (reinforcement beam) can be shifted more to the inside or outside depending on the static requirements. The movement of the support in the longitudinal direction of the supporting scaffold is possible irrespective of the bay lengths.

Info	H/L x B (m)	kg	Pack	Part No.	€/each
	1.92	67.10	10	07520	355.00

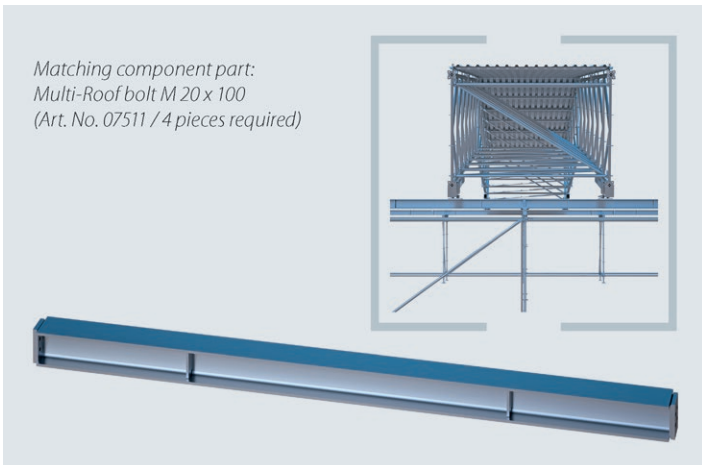
NEW


Support structure for direct connection, complete

To mount the double U-shaped support (Art. No. 07540) and for attachment of the K-Frame. The support angle of the roof construction can be continually adjusted by means of the joint. Moreover, the support point of the rectangular tube (reinforcement beam) can be shifted more to the inside or outside depending on the static requirements.

Info	H/L x B (m)	kg	Pack	Part No.	€/each
	1.92	87.90	10	07530	420.00 ①

NEW



Matching component part:
 Multi-Roof bolt M 20 x 100
 (Art. No. 07511 / 4 pieces required)

HEB support girder

To mount the double U-shaped support (Art. No. 07540) and for attachment of the HEB support structure (Art. No. 07520).

The support can be pushed over the support girder in the longitudinal direction of the supporting scaffold. 4 x bolts M20 x 100 incl. nuts and washers are required (Art. No. 07511) for each HEB support girder.

Info	H/L x B (m)	kg	Pack	Part No.	€/each
	3.00 x 0.16	136.30	10	07553	435.00 ①
	4.00 x 0.16	181.70	10	07554	569.00 ①
	6.00 x 0.16	267.00	10	07556	835.00 ①
	9.00 x 0.16	398.80	10	07559	1,150.00 ①

NEW

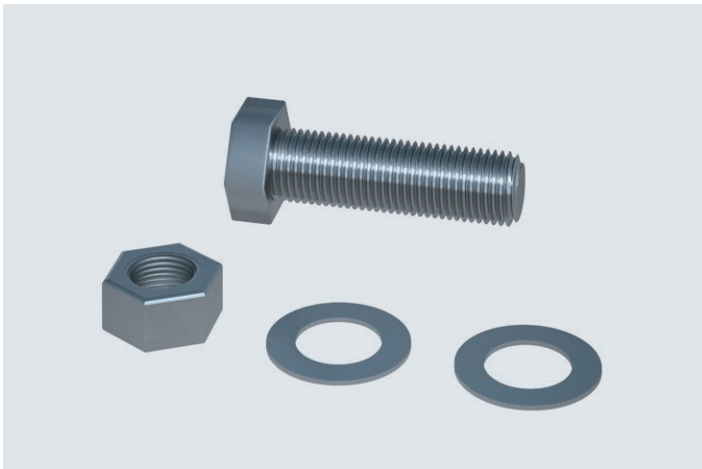


MULTI-ROOF roller unit

Temporary roller unit for the take-up of the HEB support structure (Art. No. 07520). This together with the K-Frame and roof elements can then be moved to the intended position on the support scaffold. This ensures an optimal positioning of all of the frame sections on the support scaffold. 4 MULTI-ROOF roller units are required to move one frame section onto the HEB support girder. Axial dimension: 380 mm

Info	H/L x B (m)	kg	Pack	Part No.	€/each
W: 247 mm	0.38	5.40		07550	229.50

NEW



MULTI-ROOF bolt M 16 x 60

Incl. 1 nut and 2 washers, for K-Frame bridging and MULTI-ROOF protective roofs. Quality class 8.8. 8 bolts are required for each K-Frame.

Info	H/L x B (m)	kg	Pack	Part No.	€/each
M16 x 60 mm		0.17	50	07510	3.25

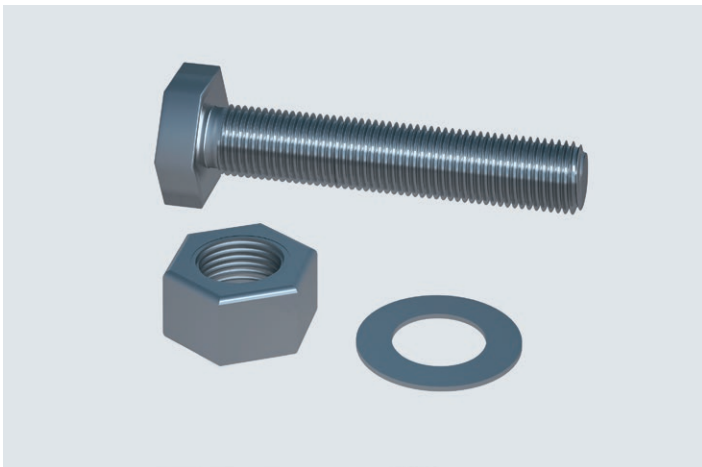
NEW



MULTI-ROOF bolt M 16 x 80

For the triple head plate connection resulting from the combination of the fitting of the K-Frame (Art. Nos. 07501, 07502 and 07503), the K-Frame end section (Art. No. 07515) and the reinforcement beam (constituent part of the support structure [Art. Nos. 07520 and 07530]). Incl. washer and nut. 8 bolts are required for each K-Frame to enable this combined fitting.

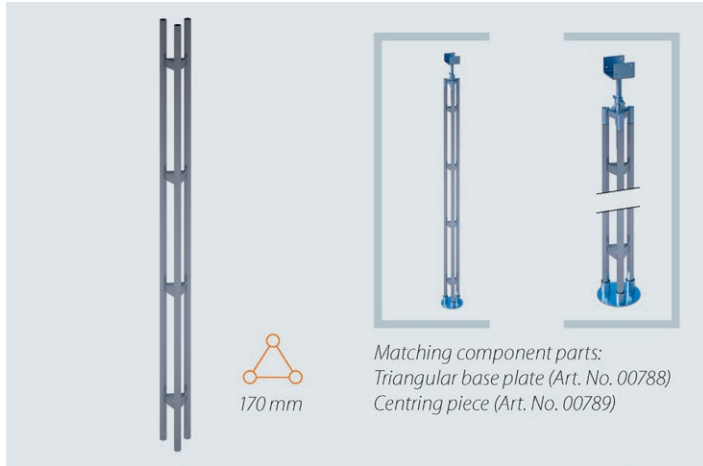
Info	H/L x B (m)	kg	Pack	Part No.	€/each
M16 x 80 mm		0.18	50	00582	2.90



MULTI-ROOF bolt M 20 x 100 for HEB girder

For a force-fit connection and the stringing together of several support girders (e.g. Art. No. 07553). Incl. washer and nut. 4 bolts are required for each connection.

Info	H/L x B (m)	kg	Pack	Part No.	€/each
M20 x 100 mm		0.33	50	07511	12.50



170 mm

 Matching component parts:
 Triangular base plate (Art. No. 00788)
 Centring piece (Art. No. 00789)

Triangular prop

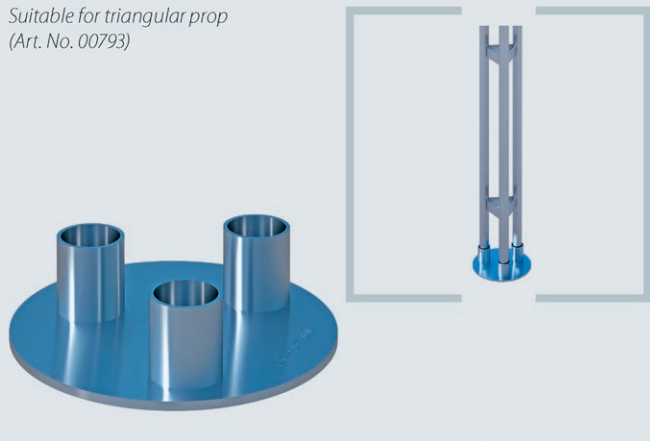
Composite support with triangular-shaped design. Versatile application alternatives in facilitative scaffolding thanks to its high load-bearing capacity. As a prop for birdcage or formwork scaffolding, bridging in façade or industrial applications or as a rail element for mobile scaffolds with flange/guide rollers. Can also be used as a support for lighting or sound equipment in the field of stage and event technology.

H/L x B (m)	kg	Pack	Part No.	for order volume of: €/each		
3.00	35.00	1	00793	1: 152.50	5: 136.00	10: 113.80
4.00	47.00	1	00795	1: 199.60	5: 169.50	10: 142.00
5.00	65.00	1	00796	1: 253.00	5: 219.20	10: 187.00
6.00	70.00	1	00797	1: 298.50	5: 257.50	10: 218.50

SNP

SMART DETAILS

	Lenght (m)	P approval (kN)
Permissible load when stressed centrally:	3.0	100 = (10.000 kp)
To utilise the maximum load bearing capacity, the columns need a non-rigid design at the top and bottom	4.0	90
	5.0	80
	6.0	70

 Suitable for triangular prop
 (Art. No. 00793)

Triangular base plate

Base plate for the vertically-mounted triangular prop. Comes with 3 tube connecting pieces. To protect the supporting surface and at the same time to divert/distribute the supported loads.

H/L x B (m)	kg	Pack	Part No.	for order volume of: €/each		
0.30 x 0.30	6.30	1	00788	1: 43.50	5: 39.00	10: 36.00

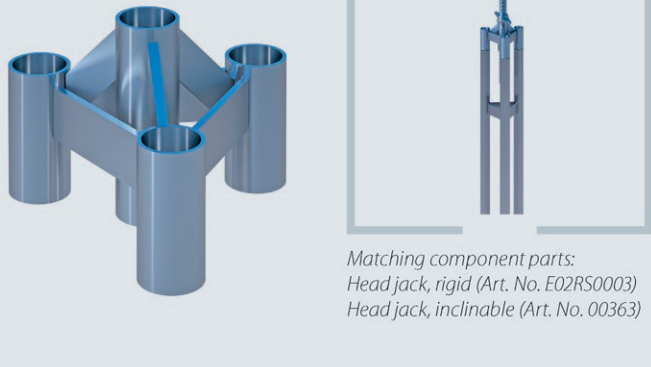
SNP

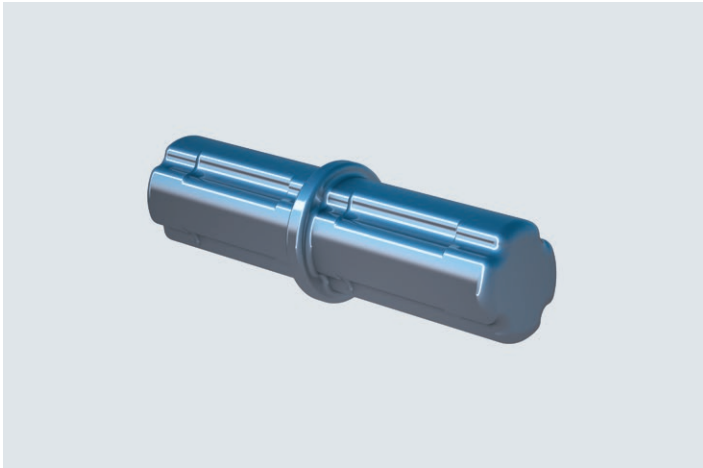
Centring piece for heavy-duty props

Head section for the central diversion of the loads into the triangular prop via the head and base jacks. Affixed using the tube connector; Article No. 00377.

H/L x B (m)	kg	Pack	Part No.	for order volume of: €/each		
0.17 x 0.17	2.60	1	00789	1: 43.50	5: 38.50	10: 34.30

SNP


 Matching component parts:
 Head jack, rigid (Art. No. E02RS0003)
 Head jack, inclinable (Art. No. 00363)



Tube connector

Suitable for scaffold tubes Ø 48.3 mm. In combination with a tension coupler for a tight and pressure-resistant connection.

H/L x B (m)	kg	Pack	Part No.	for order volume of: €/each		
0.18	1.00	25	00377	1:	3.50	50: 3.15 250: 2.95

SNP

BREAD AND BUTTER FOR GOING UP AND DOWN

NOTHING GOES IN SCAFFOLDING WITHOUT RUNGS

Ladders or stairs? Depends on how steep things need to be and here once again you have a large range to choose from: to meet requirements in terms of handling, weight, multiple uses or simply customer needs.

VERTICAL LADDERS [01]

Always needed at some time, even though convenient scaffold ascent can be somewhat different. A tube dimension of 48.3 mm for coupler connection and pins for extensions means that even here the very best usability is ensured – and this in aluminium or steel in lengths of up to 6 m.

ALUMINIUM AND STEEL STAIRS [02]

There are 1 m-wide supplementary stairs with pin or tube hook-up for the “large” aluminium platform stairway in the SUPER OR RINGSCAFF systems. These stairs can be used as a stand-alone solution when smaller height differences need to be overcome. Our practical steel site stairway for tube hook-up is an absolute all-rounder for ascent and descent and is available in heights of 1 or 2 m both for the metric as well as the 07 dimension.

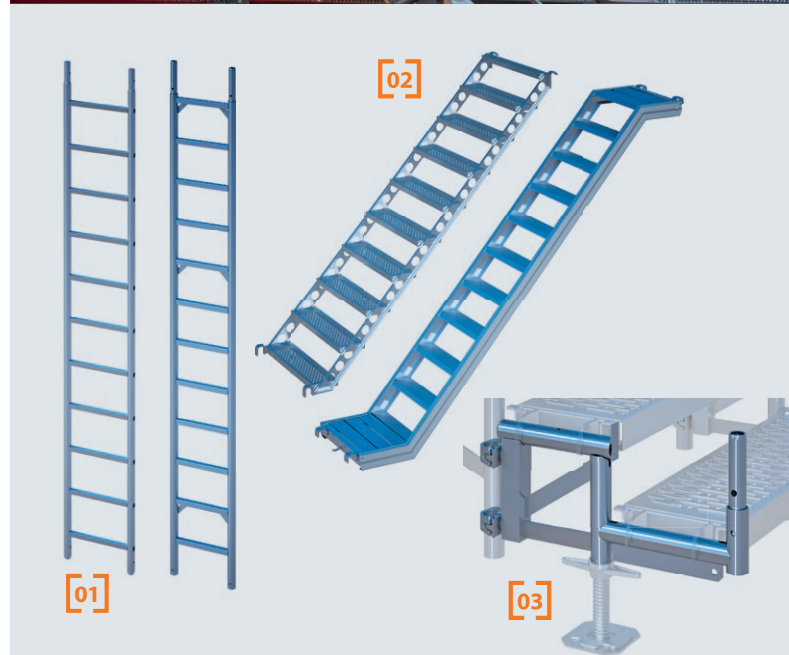
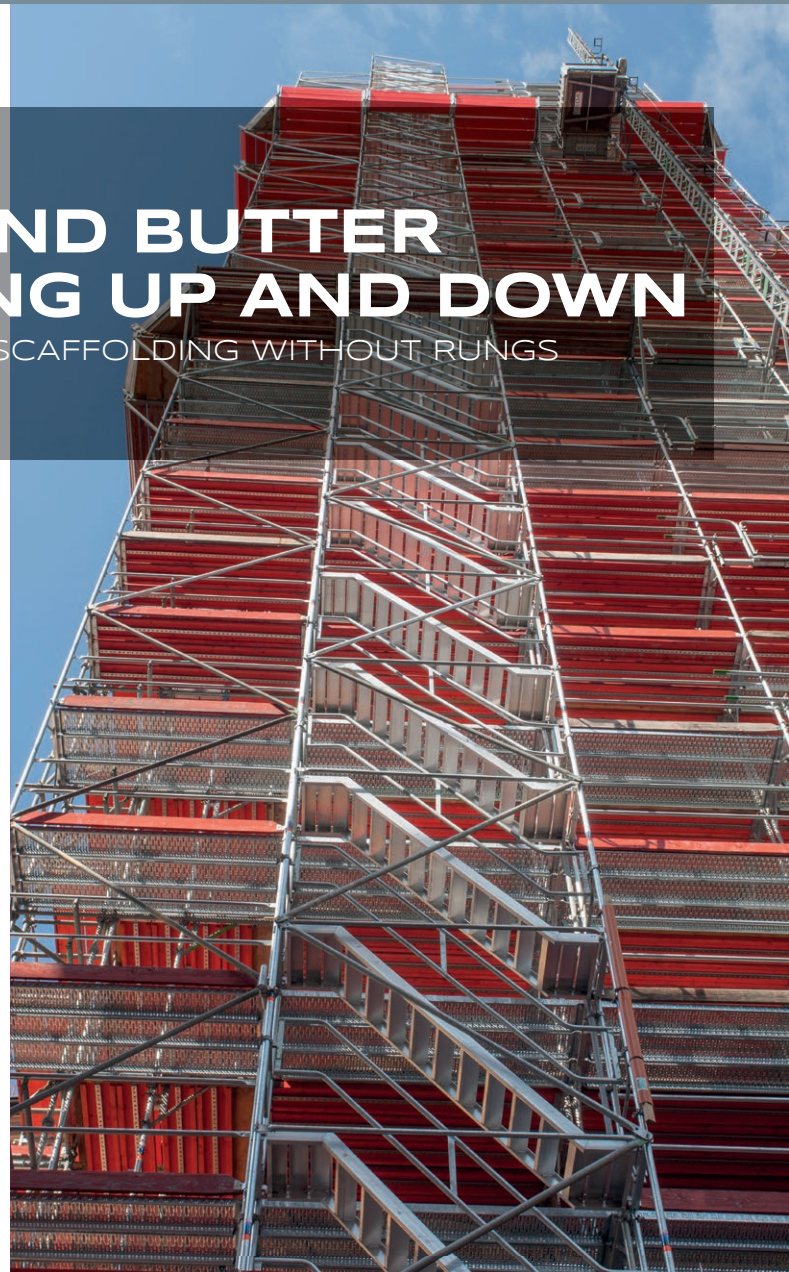
STAIR BRACKET [03]

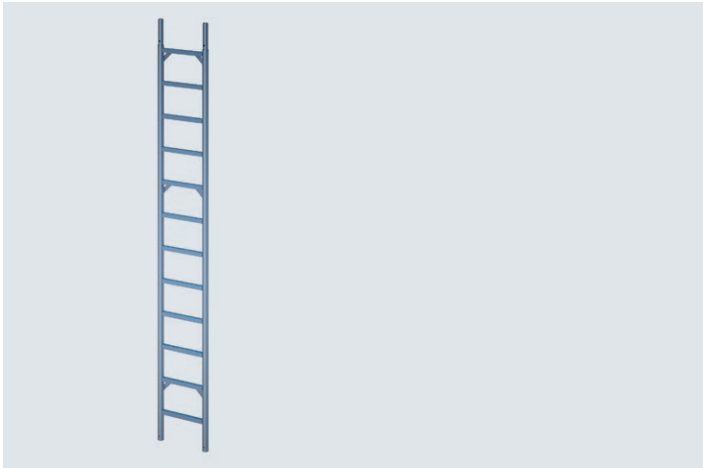
The stair bracket is absolutely flexible and theoretically any height with decking-conform, variable width can be fitted. In practice, the bracket is primarily used for levelling intermediate heights.

SYSTEM-INDEPENDENT

FEW ADDITIONAL PARTS
STANDARD TUBE DIAMETER

STAIRS ALSO FIT FOR MODULAR
SCAFFOLDING
(METR. + 07 DIMENSION)





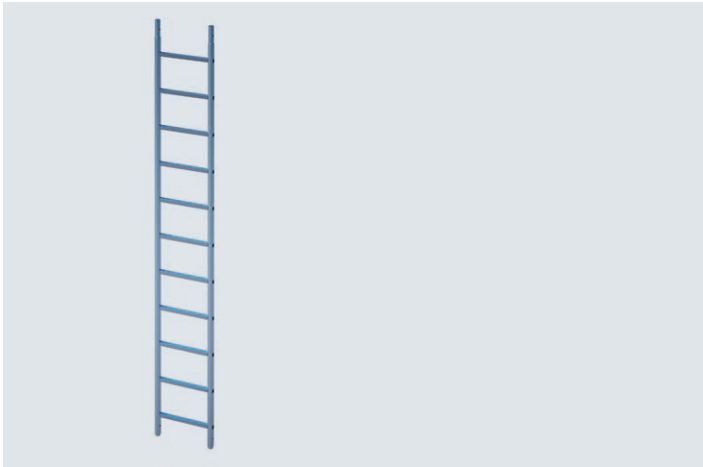
Vertical steel ladder with tube connectors

The simplest and most proven solution for scaffold ascent for every type of scaffolding. Ladders can be extended using the integrated tube connectors. They can be attached at any position in the scaffolding by means of standard scaffold couplers.

Ø 48.3 mm, distance between rungs 22 cm, axial dimension 380 mm.

H/L x B (m)	kg	Pack	Part No.	for order volume of: €/each		
2.00 x 0.43	16.30	10	E04RS1272	1: 89.00	10: 67.00	20: 58.00
3.00 x 0.43	23.60	10	E04RS1273	1: 128.00	10: 93.00	20: 80.50
4.00 x 0.43	38.40	10	E04RS1274	1: 164.50	10: 120.00	20: 105.00

SNP



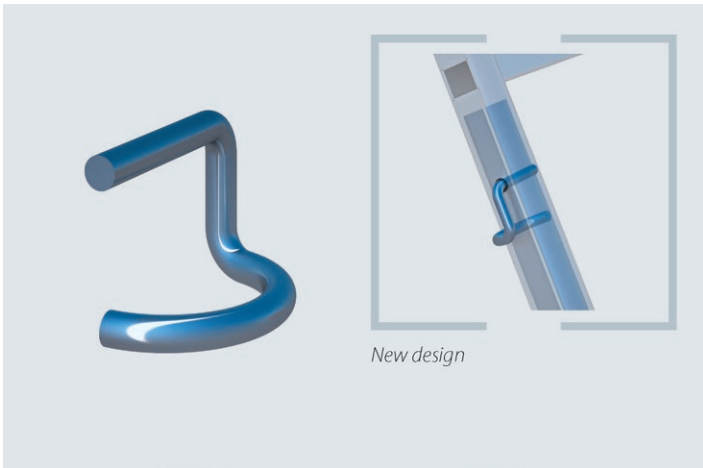
Vertical aluminium ladder with tube connectors

The simplest and most proven solution for scaffold ascent for every type of scaffolding. The aluminium ladders can be extended using the integrated tube connectors. They can be attached at any position in the scaffolding by means of standard scaffold couplers.

Ø 48.3 mm, distance between rungs 25 cm, axial dimension 4354 mm.

H/L x B (m)	kg	Pack	Part No.	for order volume of: €/each		
2.00 x 0.47	6.00	25	00965	1: 93.50	10: 69.00	20: 65.00
3.00 x 0.47	9.00	25	00966	1: 123.50	10: 89.50	20: 84.00
4.00 x 0.47	11.00	25	00967	1: 153.00	10: 109.90	20: 103.00
5.00 x 0.47	14.00	25	00968	1: 192.60	10: 138.00	20: 129.00
6.00 x 0.47	16.00	25	00969	1: 219.50	10: 157.00	20: 147.00

SNP

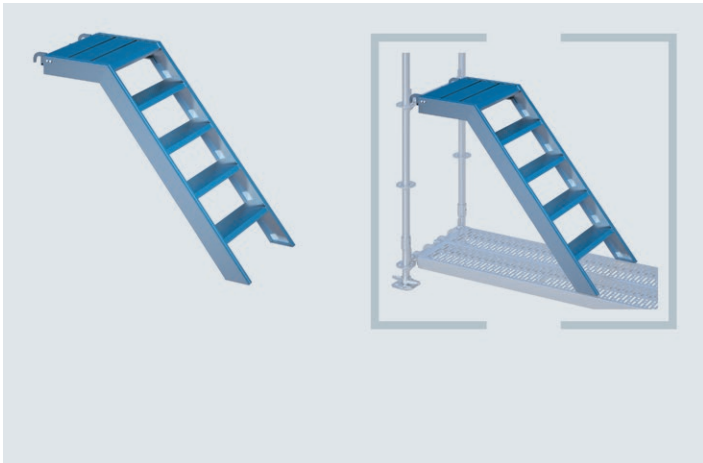


Locking pin

The quick alternative to the metal bolt when using tube connectors. Made out of galvanised, zinc-coated steel wire, Ø 9 mm.

H/L x B (m)	kg	Pack	Part No.	for order volume of: €/each		
0.01	0.10	200	07134	1: 0.98	50: 0.86	100: 0.79

SNP

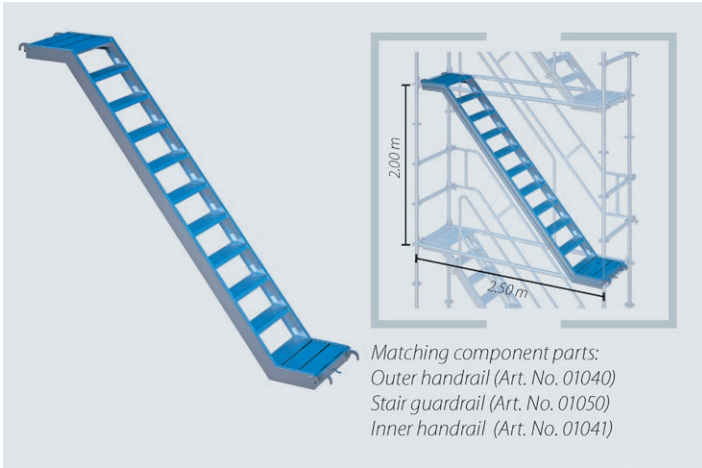


Aluminium stairway 1.00 m with platform for tube hook-up

Connecting element. Entry stairs with approx. 1.00 m height for the first level or exit stairs for the crossover to the building. Comes with tube hook-up for modular or tube/coupler scaffolds. Load of up to 2 kN/m²; for bay heights of 1.00 m.

Info	H/L x B (m)	kg	Pack	Part No.	€/each
RX,PC	1.00 x 0.60	12.00	10	00981	232.00

metric

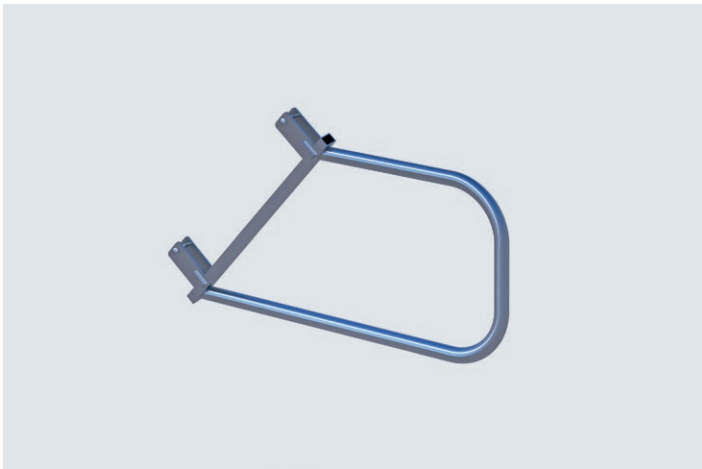

Aluminium stairway 2.00 m with platform for tube hook-up

Bay height: 2.00 m; for bay length 2.50 m.

 The convenient outer ascent. The ideal alternative to inner ladder access, particularly for scaffolds with long standing time, high levels of material transport and various trades. Universally applicable in modular or tube/coupler scaffolds thanks to tube hook-up. To enable regulation-conform scaffold access as per TRBS 2121. Low weight due to aluminium design. Space-saving stackability for transport and storage. Load of up to 2 kN/m².

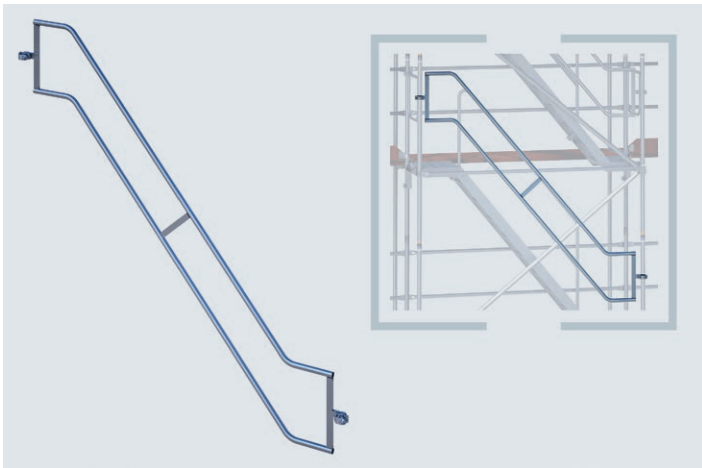
Info	H/L x B (m)	kg	Pack	Part No.	€/each
RX,PC	2.50 x 0.60	20.00	10	00979	379.00

metric


Aluminium stair guardrail

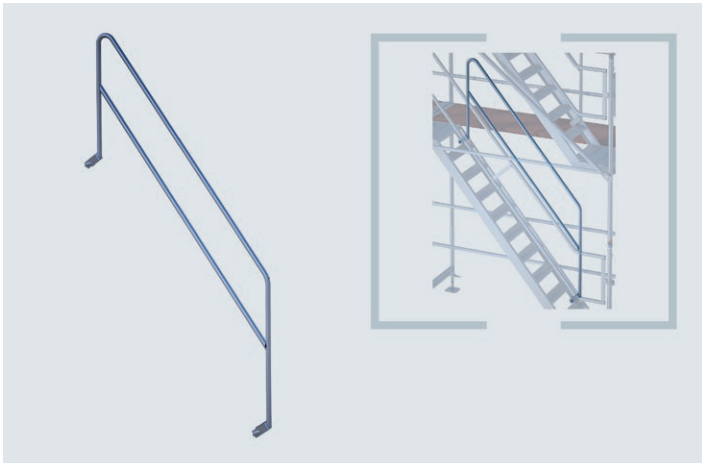
Is attached to the stairway support and is a substitute for the stairway inner handrail when stairs run unidirectional (parallel).

Info	H/L x B (m)	kg	Pack	Part No.	€/each
RX,PC,FS	0.60	3.00	10	01050	99.50


Outer handrail for aluminium stairway 2.00 m with platform

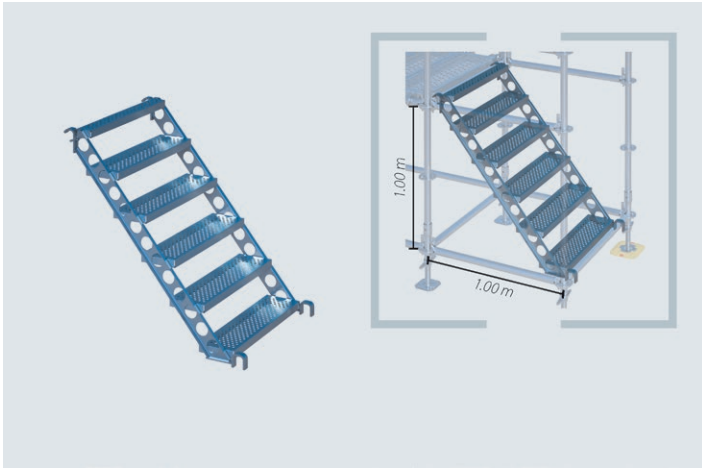
Steel handrail for aluminium stairway 2.00 m with platform. Attached using the integrated semi-couplers to the vertical tubes or modular standards. For bay lengths of 2.50 m.

Info	H/L x B (m)	kg	Pack	Part No.	€/each
AF 19/RX,PC	3.45	16.00	25	01040_19	98.80
AF 22/RX,PC	3.45	16.00	25	01040_22	98.80


Inner handrail for aluminium stairway 2.00 m with platform

Steel handrail for aluminium stairway 2.00 m with platform. Attached to the stairway support using the clamping bracket with screw connection.

Info	H/L x B (m)	kg	Pack	Part No.	€/each
AF 19/RX,PC	2.15	12.40	25	01041_19	84.00
AF 22/RX,PC	2.15	12.40	25	01041_22	84.00

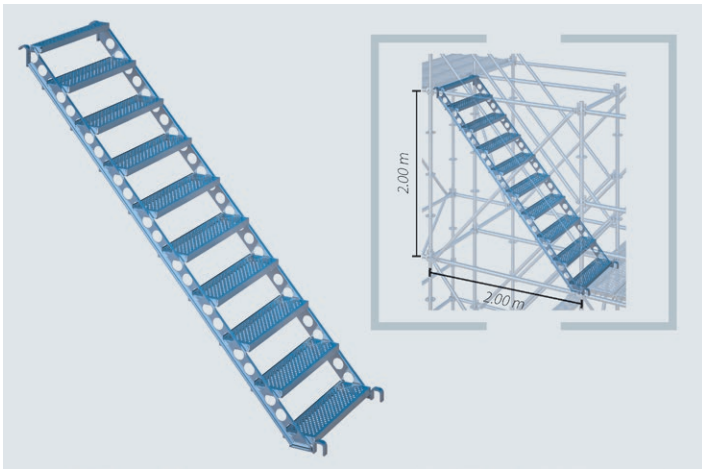


Steel site stairway 1.00 m for tube hook-up

Connecting element. Complements the steel site stairway 2.00 m. Entry stairs with approx. 1.00 m height for the first level or exit stairs for the crossover to the building. Comes with tube hook-up for modular or tube/coupler scaffolds. Load of up to 2 kN/m².

Info	H/L x B (m)	kg	Pack	Part No.	€/each
RX,PC	1.00 x 0.84	22.10	10	E04RS1268	215.00

metric

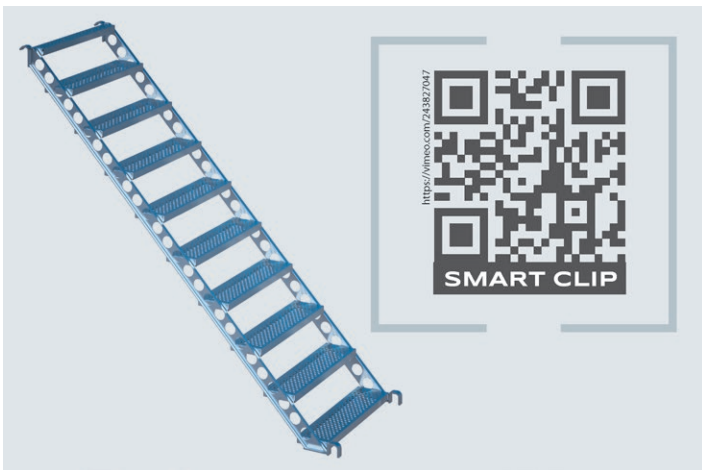


Steel site stairway 2.00 m for tube hook-up

For the convenient ascent in scaffolds or stair towers out of modular scaffolding. Offers sufficient space and enables convenient transportation of tools or bulky material. Durable and robust steel structure. For scaffold bays of 2.00 m length and a height level of 2.00 m. Side protection or handrail out of system diagonals or system-independent tube/coupler material. Load of up to 2 kN/m².

Info	H/L x B (m)	kg	Pack	Part No.	€/each
RX,PC	2.00 x 0.84	41.00	10	E04RS1004	335.00

metric

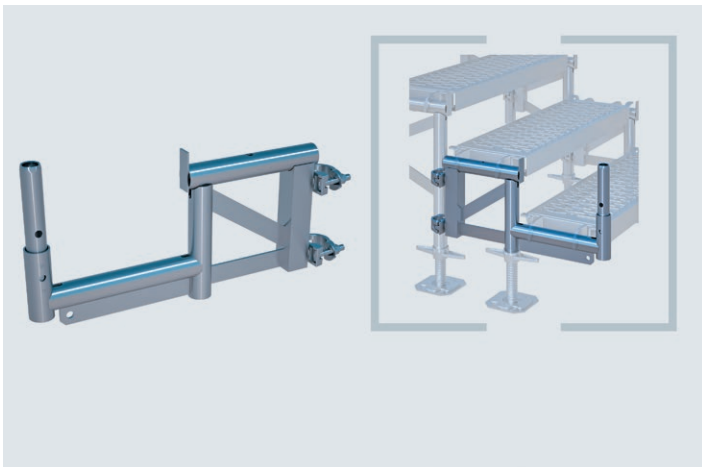


Steel site stairway 2.07 m for tube hook-up

For the convenient ascent in scaffolds or stair towers out of modular scaffolding. Offers sufficient space and enables convenient transportation of tools or bulky material. Durable and robust steel structure. Level height: 2.00 m, bay length: 2.07 m, for tube hook-up. Design like the steel site stairway 2.00 m. Load of up to 2 kN/m².

Info	H/L x B (m)	kg	Pack	Part No.	€/each
LA	2.07 x 0.88	43.00	10	E04RS0965	339.00

07 dimension



Stair bracket lead-off adapter for tube hook-up

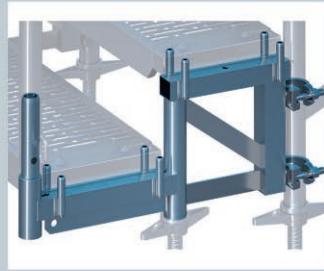
For the DIN-conform fitting of temporary stairs, in particular for intermediate heights and to enable access to the scaffold. The scaffold stairs are flexible in height and width. Various stair widths of up to 3.07 m can be constructed with the use of decks (system-independent) for tube hook-up. The extension steps are implemented with stair brackets for tube hook-up. 2 lead-off adapters as well as 2 base jacks 0.30 m are required for each stairway. The decks are secured against lift by retainers integrated into the decks.

Info	H/L x B (m)	kg	Pack	Part No.	€/each
AF 19	0.68 x 0.32	7.70	10	01943_19	62.50
AF 22	0.68 x 0.32	7.70	10	01943_22	62.50

SMART DETAILS



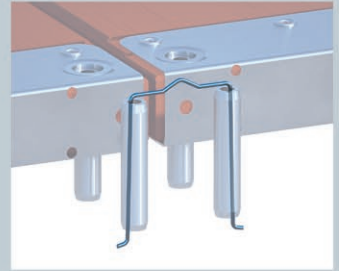
Flexible – This safe and convenient scaffold access allows step widths of between 0.65 m and 3.00 m and is an interesting alternative to system-independent solutions.



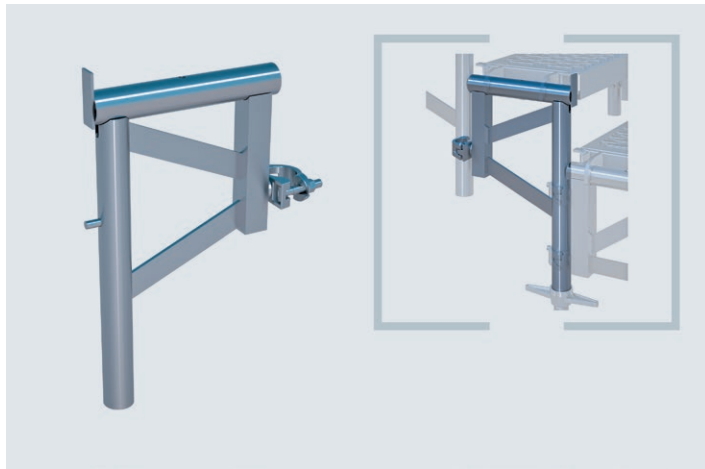
Matching component part – The lead-off adapter provides the ideal access and is correspondingly combined with stair brackets to match the height difference.



Alternative – We also offer the stair brackets and lead-off adapters for decks with tube hook-up (Art. Nos. 01943/01944)



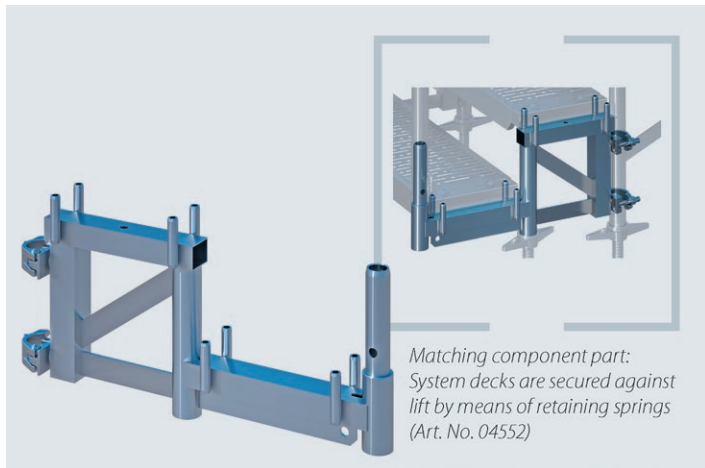
Safe – Decks are secured against lift either by the integrated deck retainers or by retaining springs (Art. No. 04552) in the case of system decks.



Stair bracket for tube hook-up

Extension steps for the scaffold stairway are created with stair brackets for decks with tube hook-up. They are positioned on the lead-off adapters for the first extension step and they can be flexibly supplemented in height and width (system-independent). Handrails can be fitted using either tubes or diagonals. 2 stair brackets are needed for each extension step. Step height approx. 160 mm to 190 mm. The decks are secured against lift by retainers integrated into the decks.

Info	H/L x B (m)	kg	Pack	Part No.	€/each
AF 19	0.30 x 0.48	4.90	50	01944_19	39.70
AF 22	0.30 x 0.48	4.90	50	01944_22	39.70

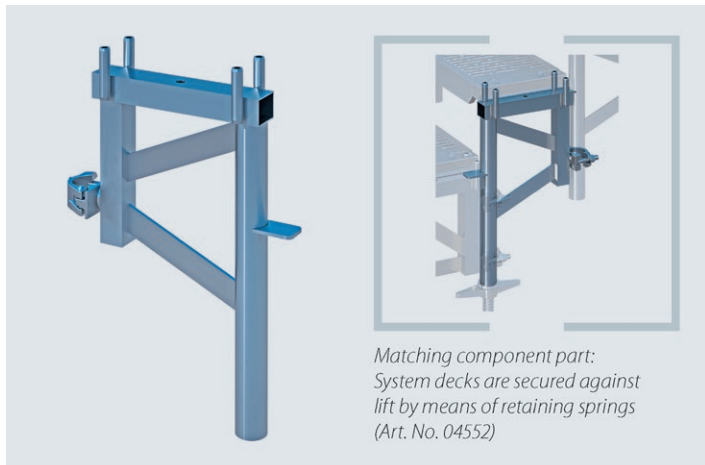


Stair bracket lead-off adapter for system decks

For the DIN-conform fitting of temporary stairs, in particular for intermediate heights and to enable access to the scaffold. The scaffold stairs are flexible in height and width. Stair widths of 0.65 m to 3.00 m can be constructed with the use of SUPER system decks. The extension steps are implemented with stair brackets. 2 lead-off adapters as well as 2 base jacks are required for each stairway. SUPER system decks are secured against lift by locking springs (Art. No. 04552).

Info	H/L x B (m)	kg	Pack	Part No.	€/each
AF 19	0.68 x 0.32	8.00	10	01941_19	69.20
AF 22	0.68 x 0.32	8.00	10	01941_22	69.20

*Matching component part:
System decks are secured against lift by means of retaining springs (Art. No. 04552)*

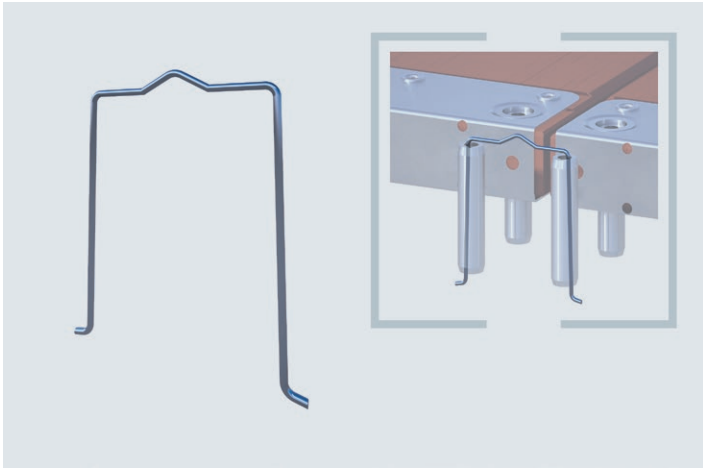


Stair bracket for system decks

Extension steps for the scaffold stairway are created with stair brackets for SUPER system decks. They are positioned on the lead-off adapters for the first extension step and they can be flexibly supplemented in height and width. Guardrails can be fitted using either tubes or diagonals. 2 stair brackets are needed for each extension step. SUPER system decks are secured against lift by locking springs (Art. No. 04552).

Info	H/L x B (m)	kg	Pack	Part No.	€/each
AF 19	0.30 x 0.48	5.00	50	01942_19	44.60
AF 22	0.30 x 0.48	5.00	50	01942_22	44.60

*Matching component part:
System decks are secured against lift by means of retaining springs (Art. No. 04552)*



Retaining spring

Robust steel wire, hot-galvanised, to secure the decks and ladder frames in the uppermost level or when cantilever brackets, coupler brackets, platform scaffolds or stair brackets are used.

Info	H/L x B (m)	kg	Pack	Part No.	€/each
		0.01	1500	04552	0.65

GETTING A HOLD ON THINGS

SOLID ANCHORAGE FOR HIGHEST SAFETY

Anchors, screws and wall plugs should be much more in scaffolding than merely cheap extras. The best scaffolding will not be of any use when the anchorage crumbles away out of a rotten wall.

ANCHORAGE TESTING DEVICE [01]

Our anchorage testing device enables you – surprise, surprise! – to verify the load-bearing capacity of the scaffold anchor. In this way you will always be on the safe side when you want to check the brickwork in more than a rough and ready sort of way.

RING SCREWS AND ACCESSORIES [02]

We only use the very best quality for our ring screws – after all, quite a lot – is literally –attached to it.

PERMANENT ANCHORS [03]

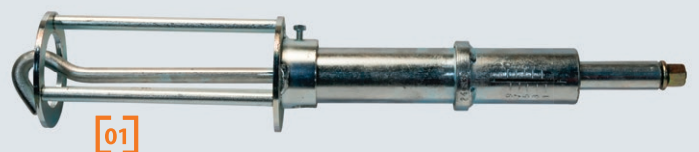
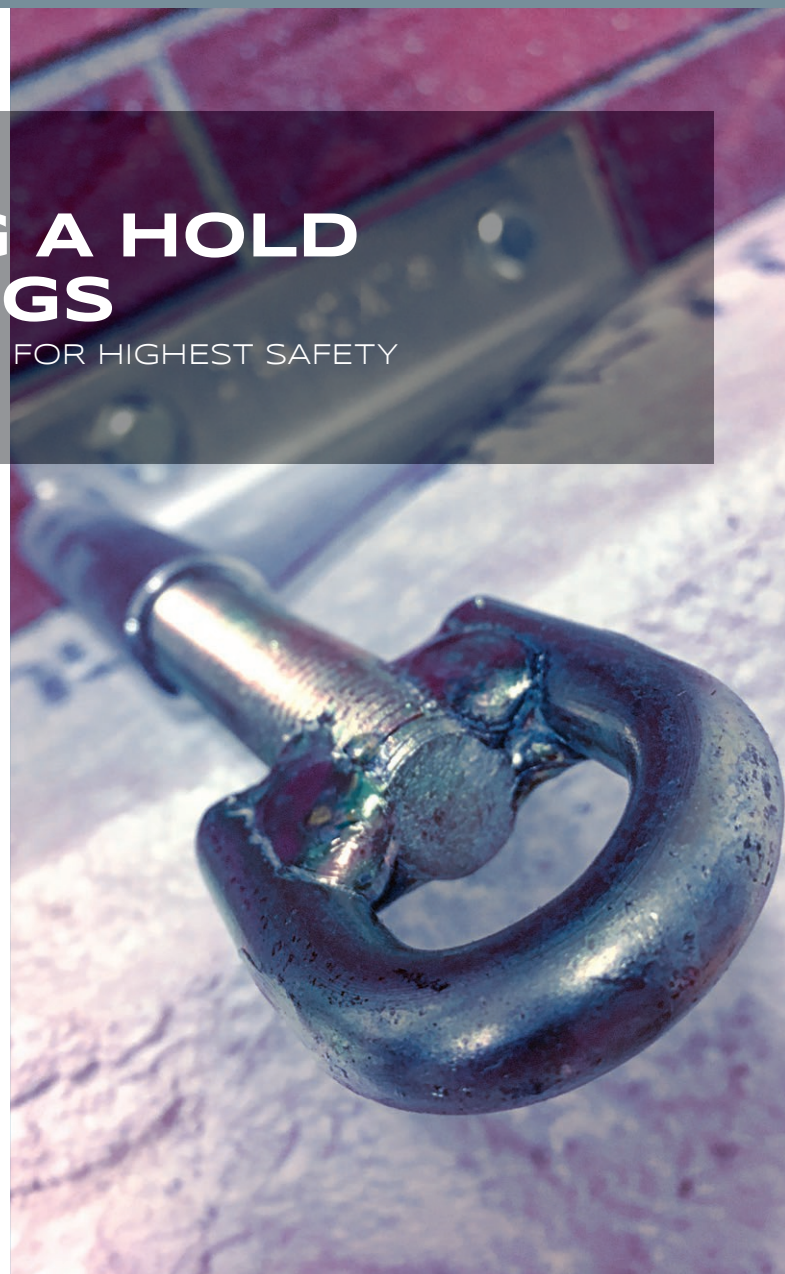
Our VA stainless steel permanent anchor is designed for reuse and remains in the (insulated) façade long-term. In the future it might very well be the case that the anchor often lasts longer than the building. More on this in the SMART CLIP.

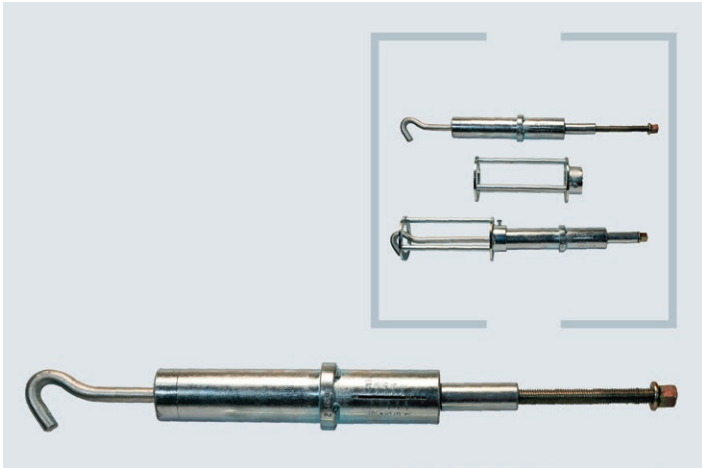


TESTED SAFETY

WIDE PRODUCT RANGE

MATCHING WALL PLUGS AND CAPS





Anchorage testing device

The anchorage of scaffolding structures is of great importance for the protection of people and material. You are very much on the safe side with an anchorage testing device. Precise information on the tensile strength of the anchorage in a range from 0 – 10.00 kN. Suitable for ring screws up to a length of 20 cm.

Info	H/L x B (m)	kg	Pack	Part No.	€/each
	0.55 x 0.05	1.80	1	03242	320.00

SNP

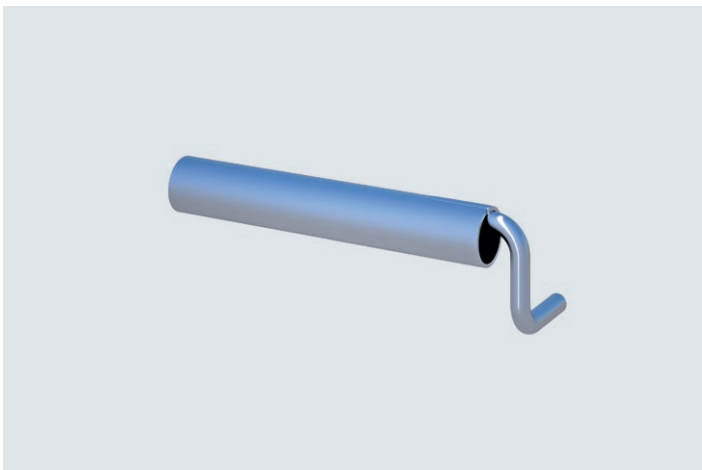


Support cylinder

For the anchorage testing device.

Info	H/L x B (m)	kg	Pack	Part No.	€/each
	0.24 x 0.10	1.80	1	03244	58.00

SNP



Steel shore tube

New: comes with inner anchor hook. Wall plugs, eyelets, steel shore tube and standard couplers form the unit that ensures tight and pressure-resistant anchorage of the scaffolding to the building structure.

H/L x B (m)	kg	Pack	Part No.	for order volume of: €/each		
0.30	1.40	500	00367	1:	7.80	50: 4.90 100: 4.60
0.40	1.80	500	00368	1:	8.50	50: 5.20 100: 4.90
0.60	2.50	400	00369	1:	10.10	50: 7.80 100: 6.90
1.00	4.00	200	00370	1:	12.80	50: 8.90 100: 8.50
1.40	5.40	150	00372	1:	15.10	50: 13.60 100: 11.30

SNP NEW



Nylon wall plug

Polyamide, Made in Germany. Ø 14 mm for 12 mm screws. Length 70 mm. The weight indicated refers to 250 pieces.

H/L x B (m)	kg	Pack	Part No.	for order volume of: €/each		
0.07 x 0.02	1.45	250	01226	1:	0.07	250: 0.06 500: 0.05

SNP Other models on request

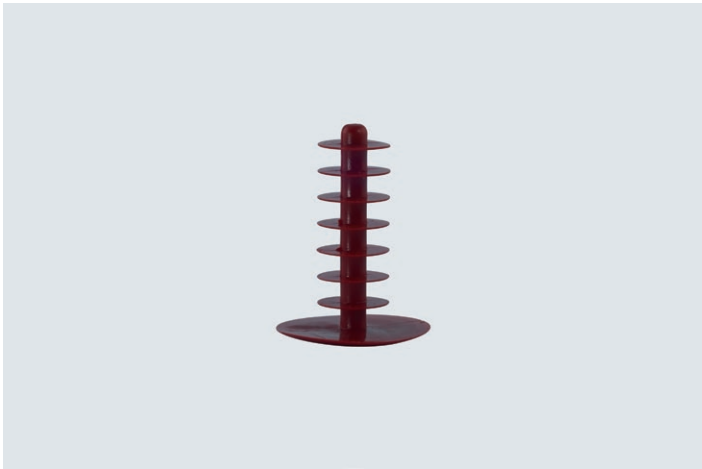


Ring screw

For the standard scaffold anchorage. Galvanised design for frequent use. Welded eyelet, screw shaft with installation marking, suitable for 14 mm wall plugs, eyelet outer diameter 40 mm, inner diameter 23 mm, shaft diameter 12 mm. The length indicated refers to the shaft including thread from lower edge of eyelet. Tested quality: Made in Germany.

Info	kg	Pack	Part No.	for order volume of: €/each		
L: 90 mm	0.16	150	00290	1: 0.67	300: 0.55	1200: 0.53
L: 120 mm	0.18	100	00291	1: 0.71	300: 0.58	1200: 0.56
L: 160 mm	0.21	100	00292	1: 0.82	300: 0.65	1200: 0.63
L: 190 mm	0.24	100	00293	1: 0.92	300: 0.75	1200: 0.71
L: 230 mm	0.27	100	00294	1: 1.03	300: 0.83	1200: 0.80
L: 300 mm	0.33	50	00295	1: 1.26	150: 1.01	600: 0.97
L: 350 mm	0.37	25	00296	1: 1.41	100: 1.12	300: 1.08

SNP



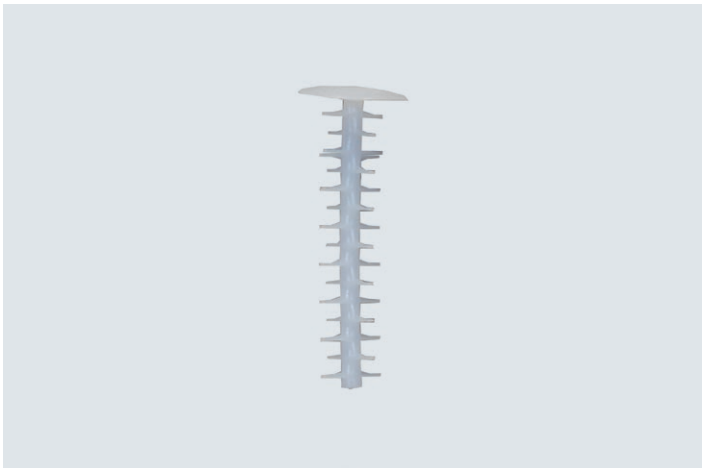
Covering cap white/transparent

Circular lamellas, length 40 mm for 14 mm wall plug. The weight indicated refers to 100 pieces.

Info	kg	Pack	Part No.	for order volume of: €/each		
White-transparent	0.20	100	01178	1: 0.06	100: 0.05	1000: 0.04

SNP

Other models on request



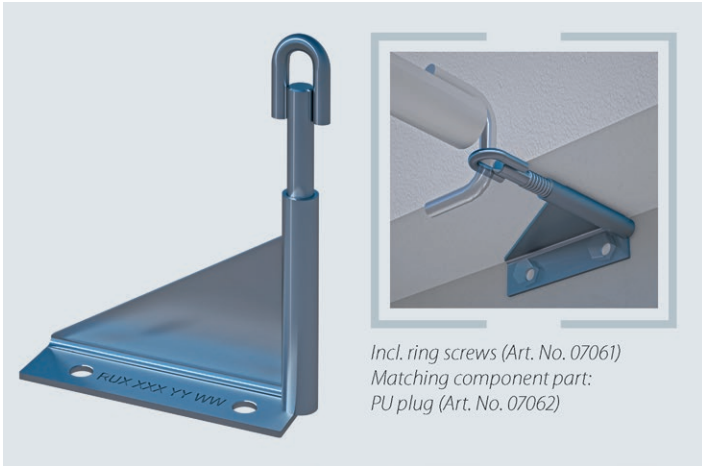
Cross-shaped lamellas white/transparent

For 14 mm wall plug. Enhanced fit in the wall plug thanks to cross-shaped lamellas. The weight indicated refers to 100 pieces.

Info	kg	Pack	Part No.	for order volume of: €/each		
L: 40 mm	0.20	100	01179	1: 0.09	100: 0.08	1000: 0.07
L: 80 mm	0.30	100	01212	1: 0.25	100: 0.18	1000: 0.14
L: 120 mm	0.50	50	01201	1: 0.35	100: 0.27	1000: 0.19

SNP

Other models on request



Incl. ring screws (Art. No. 07061)
Matching component part:
PU plug (Art. No. 07062)

Permanent anchors with VA stainless steel (M16)

Special scaffold anchors made out of stainless steel that remain permanently on the façade. Allows the attachment of façade elements or insulation materials with a thickness of up to 25 cm.

H/L x B (m)	kg	Pack	Part No.	for order volume of: €/each		
0.13 x 0.18	0.65	25	07060	1: 17.95	20: 14.20	50: 13.50

SNP

SMART DETAILS



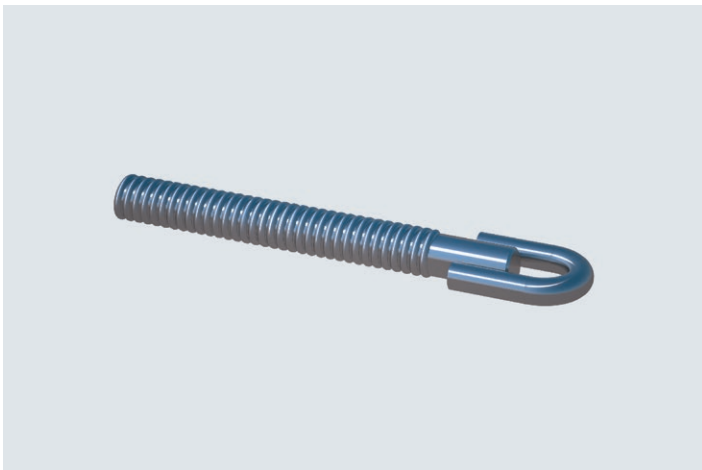
Stainless steel – The VA stainless anchor remains permanently in the façade and – unlike most solutions offered – features minimal thermal conductivity.



Variable – Thanks to the length-adjustable ring bolt (threaded), the anchor can take-up insulation material thicknesses of 15 to 25 cm.



PU plugs – By insulating and sealing the anchorage point, the façade's thermal bridge is interrupted.



Ring bolt M16

Galvanised, suitable for VA permanent anchor M16. Useful length: 130 mm.

H/L x B (m)	kg	Pack	Part No.	for order volume of: €/each		
0.17	0.30	25	07061	1: 3.90	20: 3.50	50: 2.95

SNP

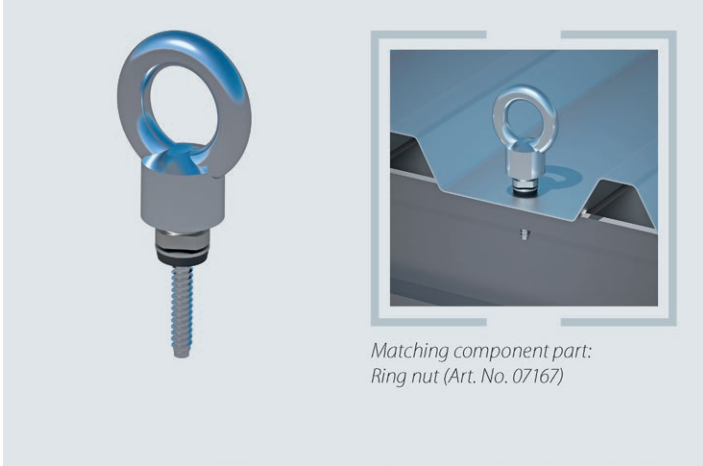


PU plugs

Suitable for VA permanent anchor M16. Weight per packaging unit. PU soft foam for drill hole diameter up to 17 mm, thickness 30 mm / width 40 mm.

H/L x B (m)	kg	Pack	Part No.	for order volume of: €/each		
0.03	0.12	25	07062	1: 1.40	20: 1.25	50: 1.15

SNP



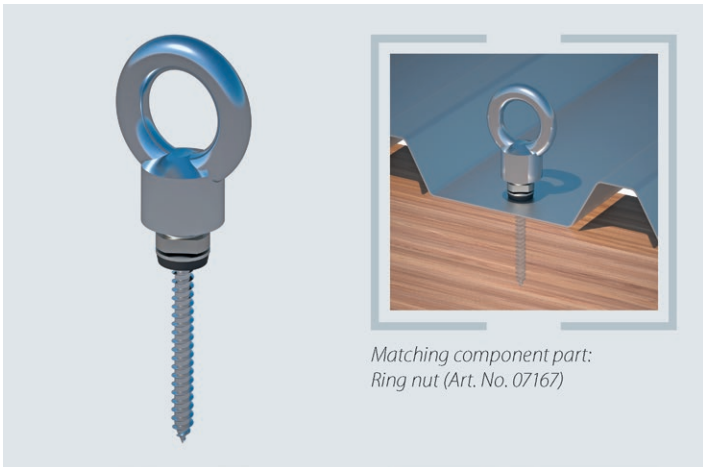
Matching component part:
Ring nut (Art. No. 07167)

Scaffold anchor for trapezoidal sheet façade (steel)

Time-tested and proven for anchorage in the steel substructure of trapezoidal sheet façades. The anchor remains in the façade for subsequent reuse and is covered by a neoprene sealing washer. The ring nut is removed from the scaffolding and can be easily screwed back on at a later time point. Complete incl. screw for steel substructure, neoprene sealing washer and threaded sleeve. Ring nut M14 (Art-No. 07167) please order separately. Length: 38 mm, useful length: 15 mm.

Info	kg	Pack	Part No.	for order volume of: €/each		
	0.03	50	07169	1:	9.55	10: 7.75 50: 6.90

SNP NEW



Matching component part:
Ring nut (Art. No. 07167)

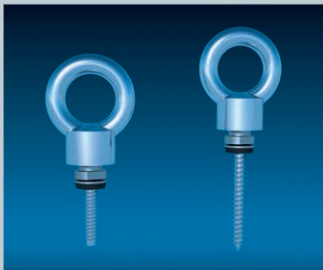
Scaffold anchor for trapezoidal sheet façade (wood)

Time-tested and proven for anchorage in the wooden substructure of trapezoidal sheet façades. The anchor remains in the façade for subsequent reuse and is covered by a neoprene sealing washer. The ring nut is removed from the scaffolding and can be easily screwed back on at a later time point. Complete incl. ring nut M14, screw for wooden substructure, neoprene sealing washer and threaded sleeve. Ring nut M14 (Art-No. 07167) please order separately. Length: 75 mm, useful length: 55 mm.

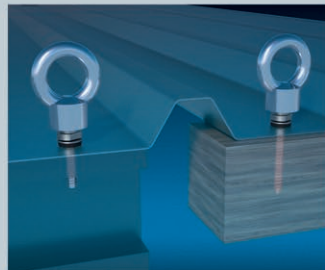
Info	kg	Pack	Part No.	for order volume of: €/each		
	0.03	50	07168	1:	9.40	10: 7.60 50: 6.80

SNP NEW

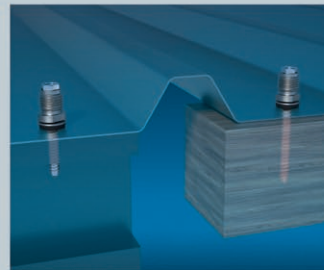
SMART DETAILS



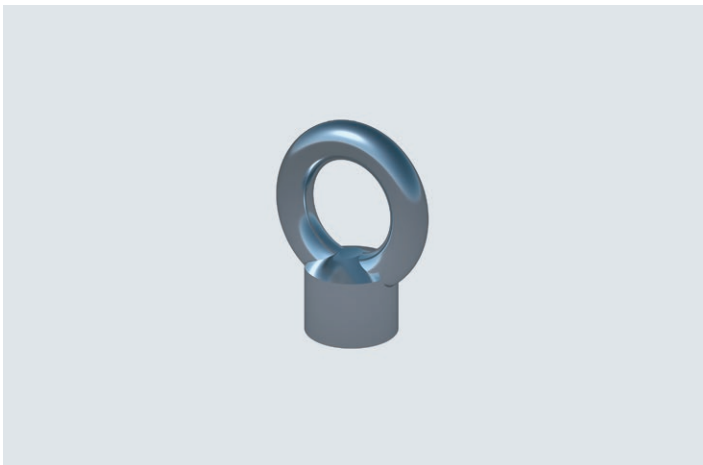
Complete – The anchor consisting of the appropriate screw, threaded sleeve, neoprene sealing washer as well as the detachable ring nut.



2 versions – Substructures for trapezoidal sheet façades consist mostly of steel or alternatively of wood. We provide the right anchor for both situations.



Reusable – The ring nut is removed and can be used again for subsequent projects. The remaining components remain in the façade.

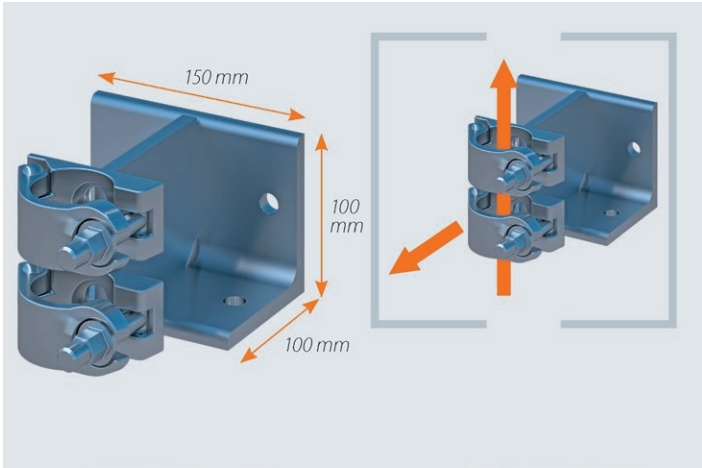


Ring nut M14 for scaffold anchors

Replacement nut that is attached to the scaffold anchor for trapezoidal sheet façades with a substructure out of either steel or wood.

Info	kg	Pack	Part No.	for order volume of: €/each		
	0.12	50	07167	1:	4.30	10: 3.60 50: 3.20

SNP NEW



Wall/Ceiling coupler

Universal element for the attachment of scaffolding structures to ceilings or walls. High load-bearing values thanks to double coupler design. Highly efficient when assembling ceiling or wall scaffolding in cases where the area below the scaffold has to remain entirely free. Tightening torque of the collar nuts 50 Nm. Corresponds to EN 74.

Max. slip load +/- 9.09 kN

Resultant anchor load at max. utilisation:

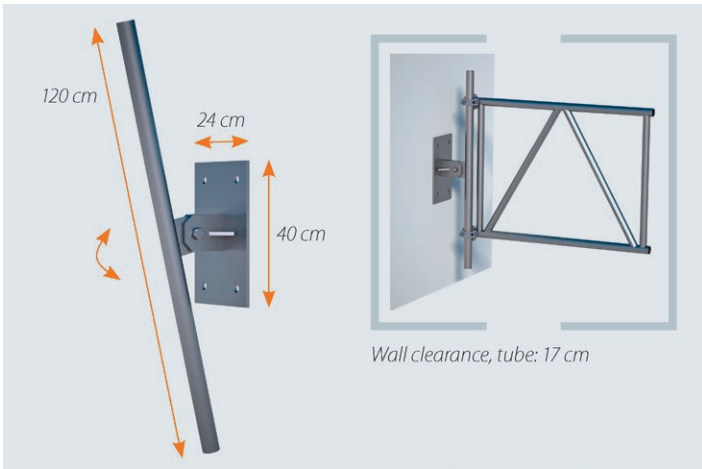
D = Z = 16.00 kN, V = 6.5 kN in reinforced concrete

Max. head tear-off load +/- 17 kN

Resultant anchor load: 8.5 kN

Info	kg	Pack	Part No.	for order volume of: €/each		
AF 19	4.40	20	07212	1: 26.30	10: 21.00	25: 18.50
AF 22	4.40	20	07214	1: 26.30	10: 21.00	25: 18.50

SNP



Wall connection plate for lattice girder

Used at structures where there is no direct supporting surface for the scaffolding or where such an area has to remain free. It enables a load-bearing connection between the building and the lattice girder. Suitable for all conventional lattice girder models. The integrated joint means that slight inclines can be compensated. Ø 20 mm drill hole. Dimensions of the base plate: 24 cm x 40 cm.

H/L x B (m)	kg	Pack	Part No.	for order volume of: €/each		
1.20	15.60	1	00639	1: 68.50	4: 53.50	12: 44.90

SNP

IT IS (ALSO) A QUESTION OF THE PACKAGING

TARPAULINS AND NETS, PLANKS AND PANELS

When a scaffolding has to be enclosed, it in no way harms the image of one's own company when it looks so good. After all, every scaffold is always a visiting card for proficiency and quality craftsmanship. Our tarpaulins and nets as well as our panel solutions are well suited for creating a good impression – and functionally they generate this anyway.

TARPAULINS AND NETS [01]

The classic against dust, rubble and other building site hazards are available in various alternatives: from a lightweight net fabric as a safeguard against dust and other emissions to a robust Keder tarpaulin, there are many options available.

SCAFFGUARD [02]

Smart protection – outwards (noise, dust) and inwards (weather, privacy, access). And it is system-independent on top i.e. fits to every conventional scaffolding system. Oh, and don't forget, it is simple to fit and efficient to store. And have we already mentioned the option of putting promotional printing on the SCAFFGUARD panels?

SCAFFPLANK [03]

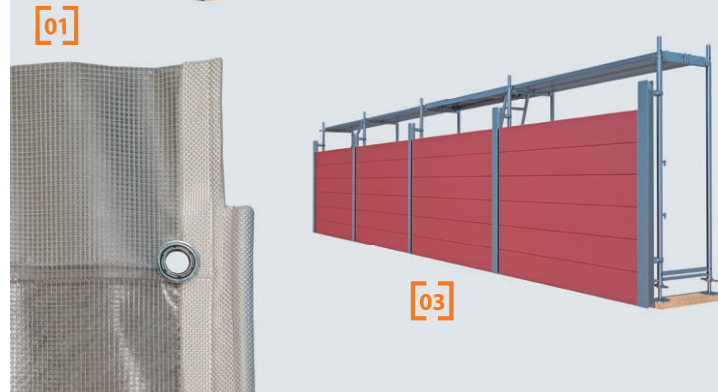
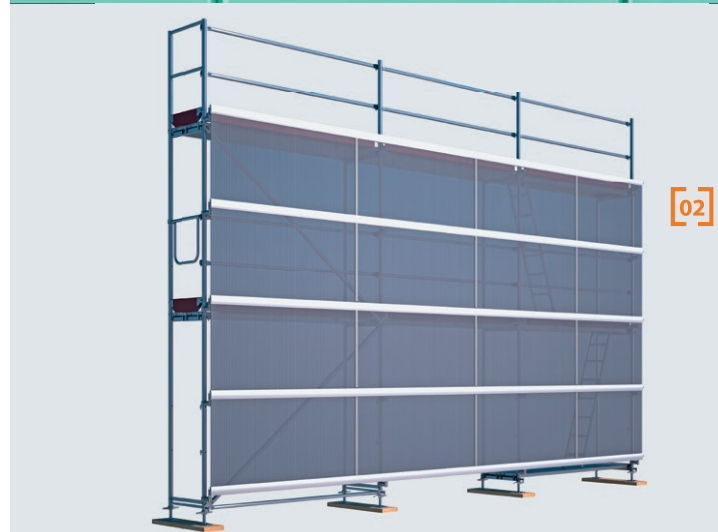
When no debris and rubble should roll out and no vandal should roll in, then SCAFFPLANK is something like your building site bouncer “when the going gets tough”. And the best thing: you can simply use the scaffold decks you already have available. Of course, the holding rails are similarly system-independent.

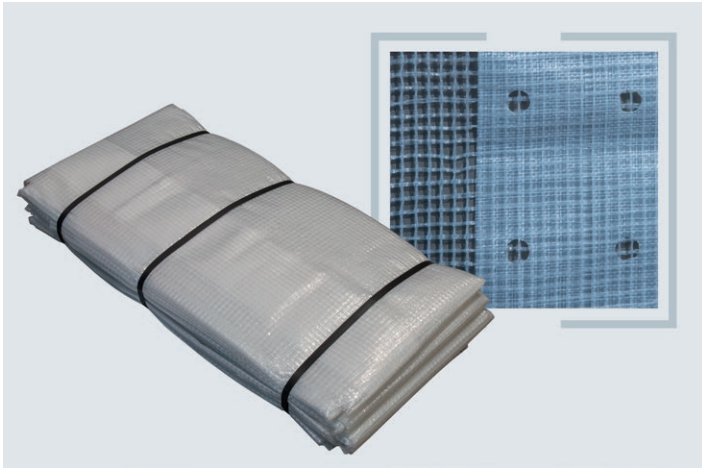
REQUIREMENT-ORIENTED ALTERNATIVES

OPTIMISED GRAMMAGE

WITH AND WITHOUT KEDER HEM

INNOVATIVE PANNEL SOLUTIONS





Scaffold tarpaulin, mesh fabric 200

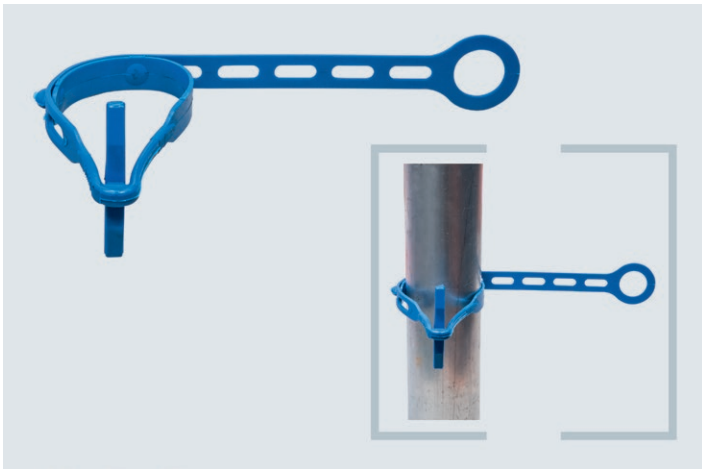
Mesh-reinforced tarpaulin for protection against wind and rain which thereby reduces downtimes due to weather-related influences. Decreases the degree of impairment to residents and passers-by when a lot of dust is generated and prevents the risk of material and tools falling down. Robust and tear-resistant mesh fabric, permeable to light. Welded-on eyelet strips for attachment to the scaffolding by means of toggle straps (Art. No. 01255). Can be used universally for metric and non-metric bay lengths.

Weight per m²: 200 g

Prices/m² approx.: 1.25 / 0.79 / 0.74

H/L x B (m)	kg	Pack	Part No.	for order volume of: €/each		
20.00 x 2.70	10.80	2	04917	1: 67.65	2: 42.65	10: 39.95
20.00 x 3.20	12.80	2	04918	1: 80.15	2: 50.55	10: 47.35

SNP Please state m²

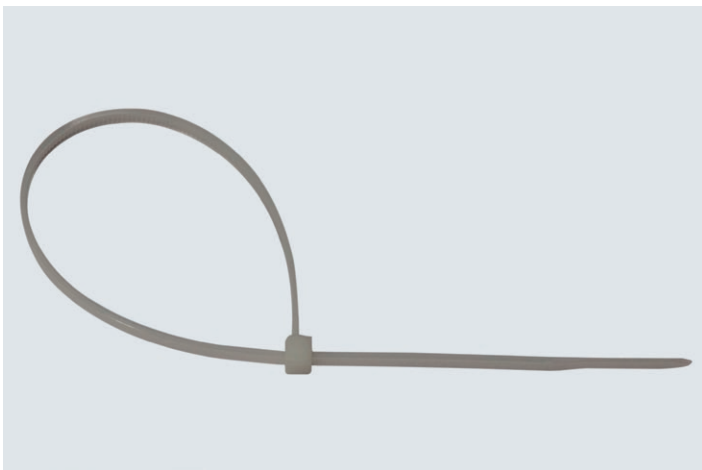


DELTA toggle strap

For the rapid and secure attachment of protective scaffold tarpaulins and nets to the scaffolding. High tear-resistance and reusable. Suitable for all scaffolding systems.

H/L x B (m)	kg	Pack	Part No.	for order volume of: €/each		
	0.01	50	01255	1: 0.95	50: 0.80	500: 0.70 ①

SNP

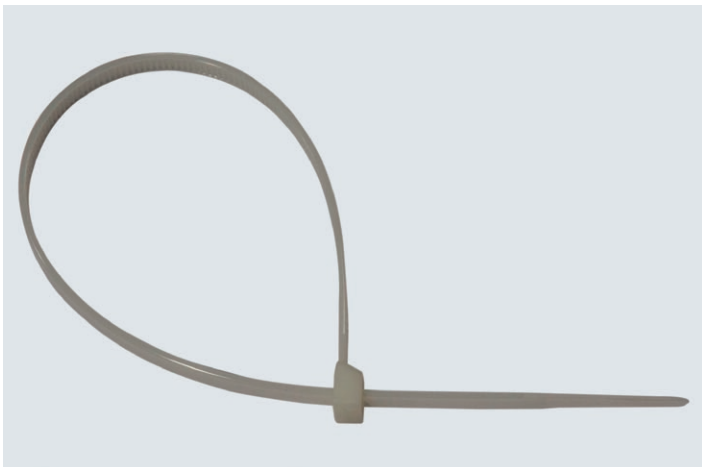


One-way tie, standard

The weight indicated refers to 100 pieces.

Info	kg	Pack	Part No.	for order volume of: €/each		
300 x 4.8 mm	0.22	100	01259	1: 0.05	100: 0.04	2000: 0.03

SNP

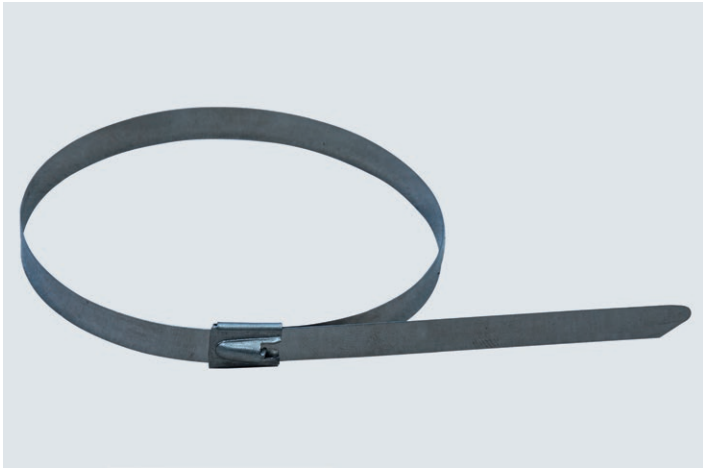


One-way tie, reinforced

Reinforced version with enhanced tear-resistance. The weight indicated refers to 100 pieces.

Info	kg	Pack	Part No.	for order volume of: €/each		
340 x 7.6 mm	0.50	100	01258	1: 0.08	100: 0.07	2000: 0.06

SNP



Cable ties, stainless steel

High-performance stainless steel cable ties. For special applications such as e.g. the fastening of base plates when being moved by crane or the securing of decks against lift. UV-resistant, resilient to extreme temperatures or chemical influences. Load of up to 1,140 N. The weight indicated refers to 100 pieces.

Info	kg	Pack	Part No.	for order volume of: €/each		
360 x 7,9 mm	0.74	100	07131	1: 0.75	100: 0.69	1000: 0.59
680 x 7,9 mm	1.50	100	07132	1: 1.29	100: 1.10	1000: 1.00

SNP



Scaffold protection net 50

Dust protection net with permeable net structure to reduce the wind-exposed contact surface. Made out of tear-resistant and UV-stabilised HDPE fabric. Simple fitting thanks to low weight of only 50 g/m². Attachment to the scaffolding by means of toggle straps or one-way ties using the edge-reinforced perforated strip.

Prices/m² approx.: 0.41 / 0.36 / 0.32

H/L x B (m)	kg	Pack	Part No.	for order volume of: €/each		
20.00 x 2.57		4	01244	1: 20.80	4: 18.50	20: 16.60
20.00 x 3.07		4	01247	1: 25.30	4: 22.50	20: 19.90

SNP Please state m²



Net for roof safety systems as per DIN 4420 [8.1.2]

Efficient solution for catch and roof safety scaffolds. Simple fitting for all steel and ladder scaffolds, preferably in combination with guardrail posts for protective nets (Art. No. 00689). Mesh size 100 mm for adequate catch protection. Robust meshing out of 4.5 mm nylon cord with reinforced peripheral rope. Weight per m²: 300 g. Attached with the quick-fit fastener strap (Art.-No. 01325). Prices/m² approx.: 2.98 / 2.48 / 2.16

H/L x B (m)	kg	Pack	Part No.	for order volume of: €/each		
5.00 x 2.00	2.25	1	01317	1: 29.80	5: 24.80	20: 21.60
10.00 x 2.00	4.50	1	01319	1: 60.00	5: 50.00	20: 43.50

SNP Other models on request



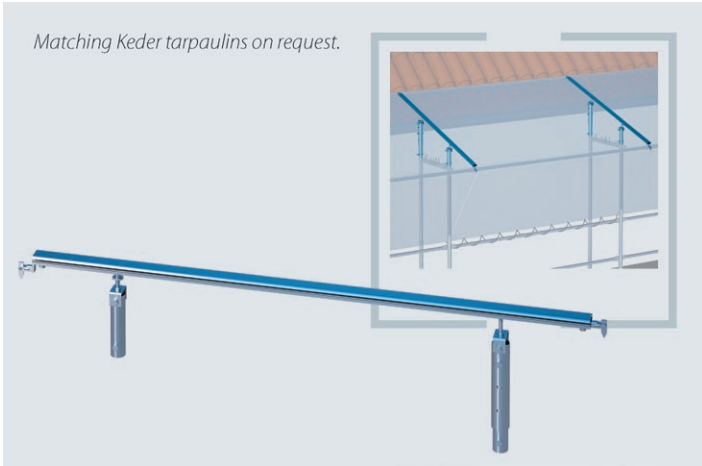
Quick-fit fastener strap

For the rapid fitting of roof safety nets. Comes with strap buckle for continuous adjustment and secure fastening. Mounting clearance 1.00 m. The weight indicated refers to 50 pieces.

H/L x B (m)	kg	Pack	Part No.	for order volume of: €/each		
0.50	2.20	50	01325	1: 1.40	50: 1.10	500: 0.90

SNP

Matching Keder tarpaulins on request.

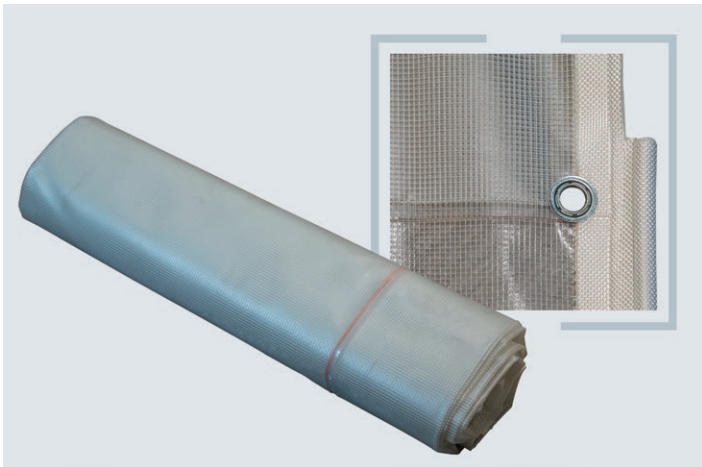


Weather protection transom with telescopic tube

Optimal weather protection solution for the uppermost scaffold level. Simple to fit using adjustable extension tubes. Flexible fitting to suit various circumstances prevailing around the roof and eaves of buildings. Fits for all scaffolding systems and widths in combination with simple scaffold sheeting or special PVC Keder tarpaulins. Back guardrails are necessary for stabilisation (see RUX-SUPER façade scaffolding system price list).

H/L x B (m)	kg	Pack	Part No.	for order volume of: €/each		
1.80	4.50	1	05508	1: 107.50	5: 89.00	10: 77.20

SNP

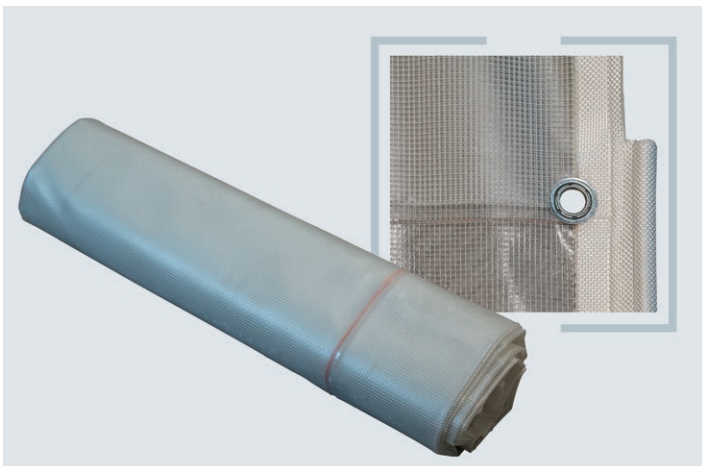


PVC Keder tarpaulin 650 g, reinforced version, flame retardant

This PVC-coated tarpaulin with Keder hem enables a water and dust-free enclosing of workplaces for sand blasting or corrosion protection jobs and prevents environmental impacts. The sheeting is available in any length (max. 20 m) and any width, in the colours white, green, blue or grey (as B1 version only in white). In the case of intermediate widths, the next higher modular dimension is taken. The tarpaulin is flame retardant as per DIN 4102 B1. When ordering, please state colour and the respective axial dimension of the scaffold bay. The sheeting is supplied optionally either with Keder hem or brass eyelets at its front end to enable joining with the next tarpaulin section or to tighten it to avoid fluttering. Weight per m²: 650 g. Price on request!

Info	H/L x B (m)	kg	Pack	Part No.	€/each
				01296	

Please state m²

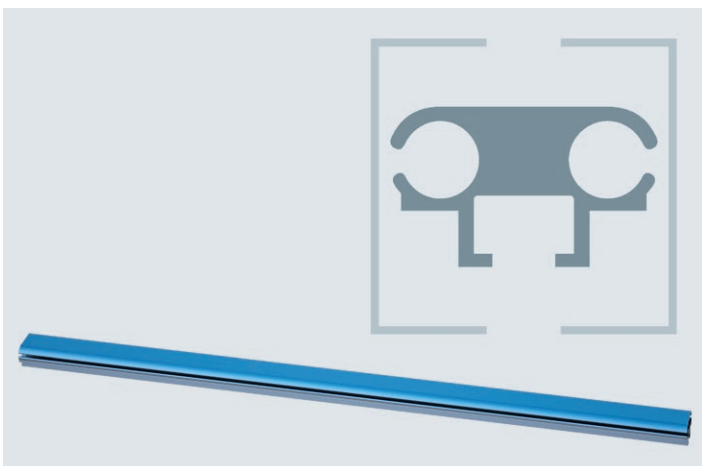


PVC Keder tarpaulin, reinforced version, 650 g

This PVC-coated tarpaulin with Keder hem enables a water and dust-free enclosing of workplaces for sand blasting or corrosion protection jobs and prevents environmental impacts. The sheeting is available in any length (max. 20 m) and any width, in the colours white, green, blue or grey (as B1 version only in white). In the case of intermediate widths, the next higher modular dimension is taken. When ordering, please state colour and the respective axial dimension of the scaffold bay. The sheeting is supplied optionally either with Keder hem or brass eyelets at its front end to enable joining with the next tarpaulin section or to tighten it to avoid fluttering. Weight per m²: 650 g. Price on request!

Info	H/L x B (m)	kg	Pack	Part No.	€/each
		0.65		01293	

Please state m²

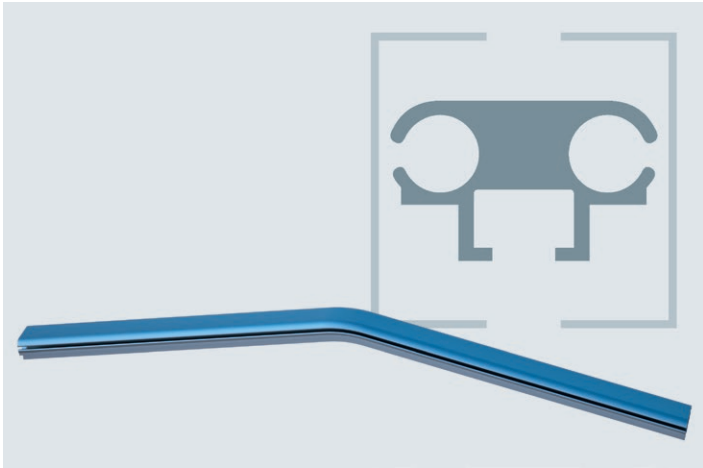


Keder rail

Aluminium profile to connect Keder tarpaulins and to fit them to the scaffolding structure. It provides the entire system with stability and ensures a dust-tight and waterproof joining of the tarpaulins with one another. The rails are attached to the scaffold tube by means of a multi-directional distance coupler.

H/L x B (m)	kg	Pack	Part No.	for order volume of: €/each		
1.00	1.50	1	01449	1: 14.90	10: 13.40	20: 11.95
2.00	3.00	1	01454	1: 29.80	10: 26.80	20: 23.90
3.00	4.50	1	01456	1: 44.70	10: 40.20	20: 35.85
4.00	6.00	1	01458	1: 59.60	10: 53.60	20: 47.80
5.00	7.50	1	04717	1: 74.50	10: 67.00	20: 59.75
6.00	9.00	1	01459	1: 89.40	10: 79.90	20: 69.90

SNP


Keder ridge rail

Connection piece for the construction of gable roofs with Keder tarpaulins. Attachment to lattice girders or scaffold tubes by means of the multi-directional distance coupler (Art. No. 01441 / 01442).

H/L x B (m)	kg	Pack	Part No.	for order volume of: €/each		
1.00	1.50	1	01450	1: 43.00	5: 32.50	10: 29.50

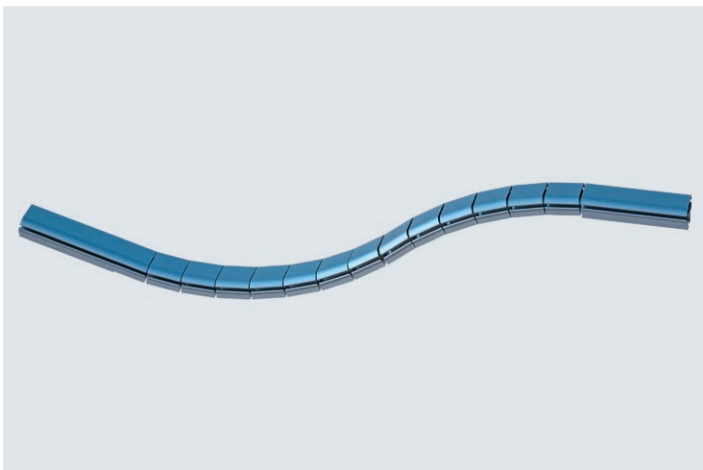
SNP


Keder rail for roof eaves

For the transition from scaffold wall to roof area i.e. from the horizontal to the vertical alignment of the Keder system when buildings are to be completely enclosed.

H/L x B (m)	kg	Pack	Part No.	for order volume of: €/each		
1.00	1.50	1	01451	1: 43.00	5: 32.50	10: 29.50

SNP


Keder rail, flexible

To adapt the Keder system to fit unusual scaffold or building shapes. Whether curved, angled or round, the Keder system follows the shape of the structure to be scaffolded in every respect thanks to the article's bendability into any angle.

H/L x B (m)	kg	Pack	Part No.	for order volume of: €/each		
1.00	1.50	1	01452	1: 55.60	5: 49.00	10: 41.00 ①

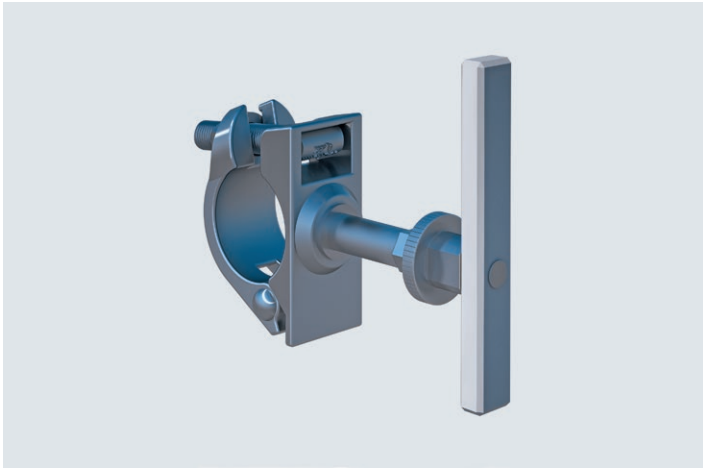
SNP


Foam rubber seal for Keder rail

For connecting two Keder rails where they join with one another as a protection against dripping water.

H/L x B (m)	kg	Pack	Part No.	for order volume of: €/each		
		100	01447	1: 2.40	50: 1.90	100: 1.50

SNP

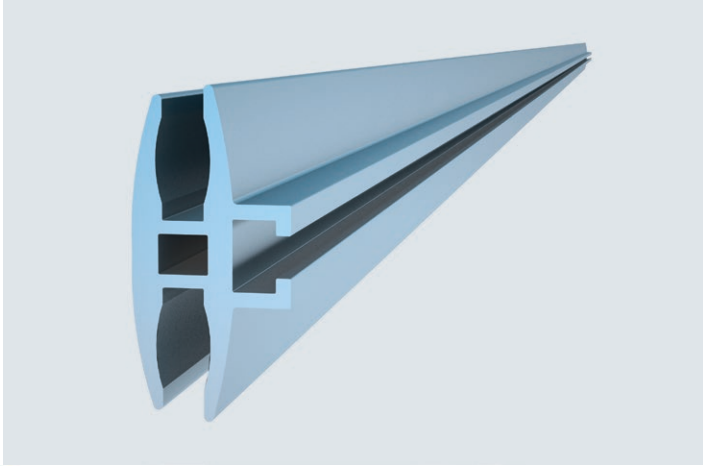


Multi-directional distance coupler

For the attachment of Keder rails to scaffold tubes, vertical frames, modular standards or lattice girders. Mounting can take place at any angle and in any direction. Optimal solution for special structures without any fixed modular dimensions e.g. on bridge building sites or for historical monuments. Tightening torque of the collar nuts 50 Nm. Version corresponds to EN 74.

Info	kg	Pack	Part No.	for order volume of: €/each		
AF 19	1.20	20	01442	1: 16.40	50: 10.50	200: 9.80
AF 22	1.20	20	01441	1: 16.40	50: 10.50	200: 9.80

SNP



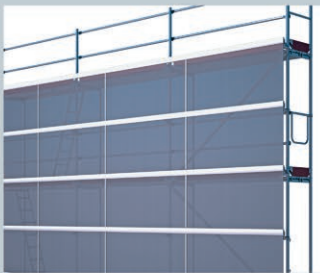
SCAFFGUARD aluminium rail

For the attachment of SCAFFGUARD wall panels. The SCAFFGUARD aluminium rail can be used as a system-independent cladding and irrespective of the scaffold bay lengths.

Rapid fitting, reusable. To enable subsequent fitting, the panels can simply be removed after the coupler at the joints has been loosened. Corner solutions can be simply implemented with SCAFFGUARD corner connectors (Art. No. 07226).

Info	H/L x B (m)	kg	Pack	Part No.	€/each
	6.00	24.80	49	07200	166.00

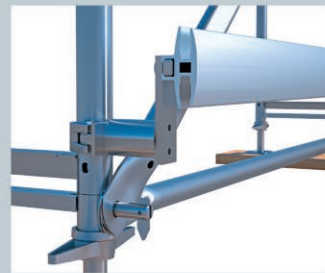
SMART DETAILS



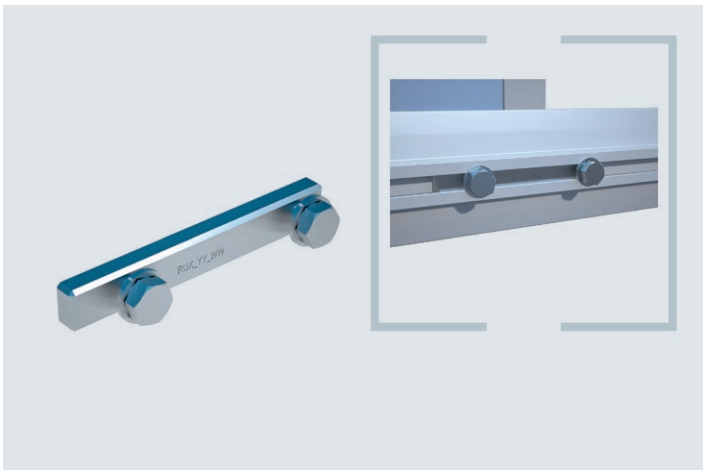
Unbelievably well sealed-off – SCAFFGUARD reduces sound waves by up to 20 dB and additionally offers outstanding heat insulation – of course, dust-tight.



Always fits – The modern system for structural cladding is designed for flexibility. All parts can be easily processed, bent and made to fit.



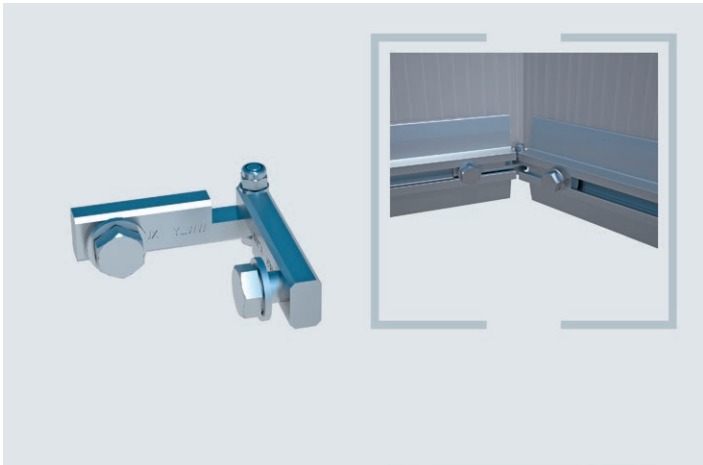
Pays off – SCAFFGUARD only needs a few, simple component parts. That obviously results in lower project costs.



SCAFFGUARD joint connector

For the joint connection of aluminium rails for wall panels. Incl. 2 bolts M 12 x 20.

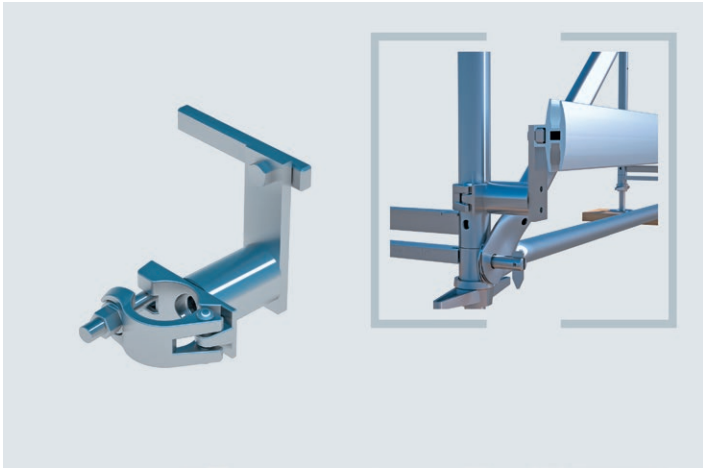
Info	H/L x B (m)	kg	Pack	Part No.	€/each
	0.14 x 0.01	0.32	50	07227	5.90



SCAFFGUARD corner connector

For the flexible connection of aluminium rails for wall panels at corners. Incl. 2 bolts M 12 x 20.

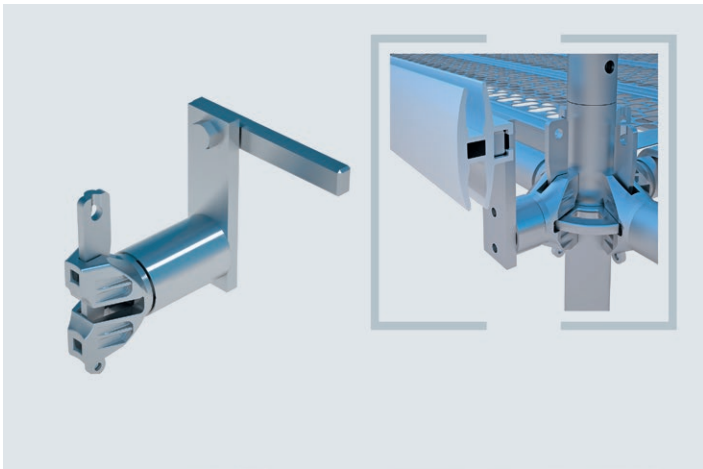
Info	H/L x B (m)	kg	Pack	Part No.	€/each
	0.15 x 0.02	0.31	50	07226	14.75



SCAFFGUARD semi-coupler

For SCAFFGUARD protection system. For the system-independent mounting of the aluminium rails.

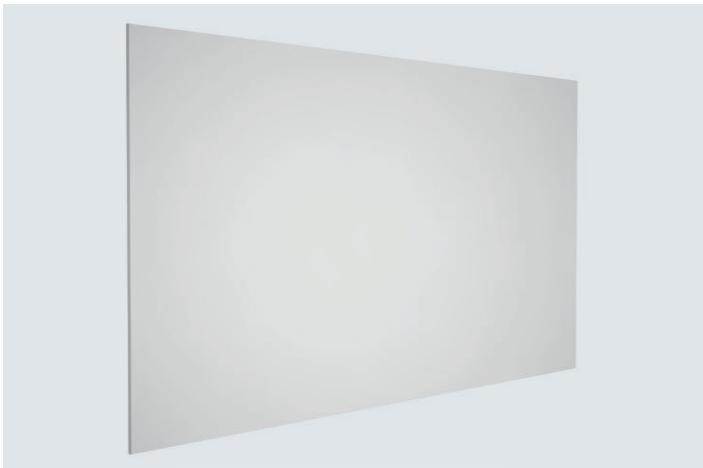
Info	H/L x B (m)	kg	Pack	Part No.	€/each
AF 19	0.14 x 0.12	1.70	15	07210	16.80
AF 22	0.14 x 0.12	1.70	15	07211	16.80



SCAFFGUARD coupler with RINGSCAFF ledger head

Coupler for the mounting of SCAFFGUARD aluminium rails to RINGSCAFF modular scaffolding standards.

Info	H/L x B (m)	kg	Pack	Part No.	€/each
	0.14 x 0.12	1.30	50	E04RS1206	14.95



SCAFFGUARD plastic panel, opal/white

Plastic wall panel, permeable to light. Suitable for fitting in aluminium rails. Can easily be sawn to the appropriate length. Wind loads up to 1.1 kN/m². Promotional printing possible on request.

Info	H/L x B (m)	kg	Pack	Part No.	€/each
Opal white	2.10 x 0.98	3.60	100	07220	39.50

Embossing possible

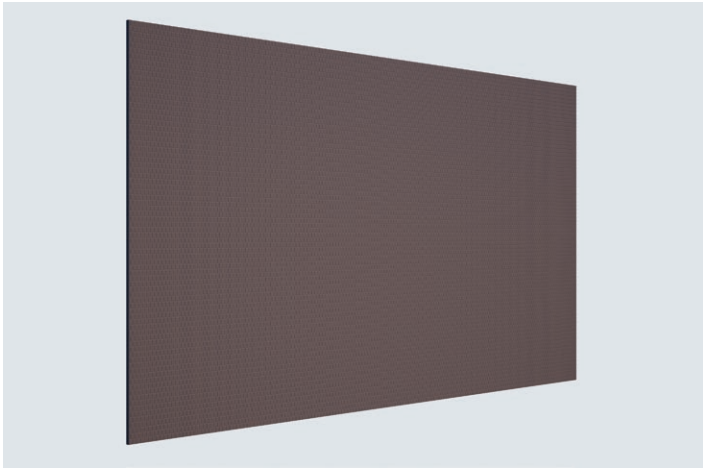


SCAFFGUARD plastic panel, colourless

Plastic wall panel, permeable to light. Suitable for fitting in aluminium rails. Can easily be sawn to the appropriate length. Wind loads up to 1.1 kN/m². Promotional printing possible on request.

Info	H/L x B (m)	kg	Pack	Part No.	€/each
colourless	2.10 x 0.98	3.60	100	07221	35.90

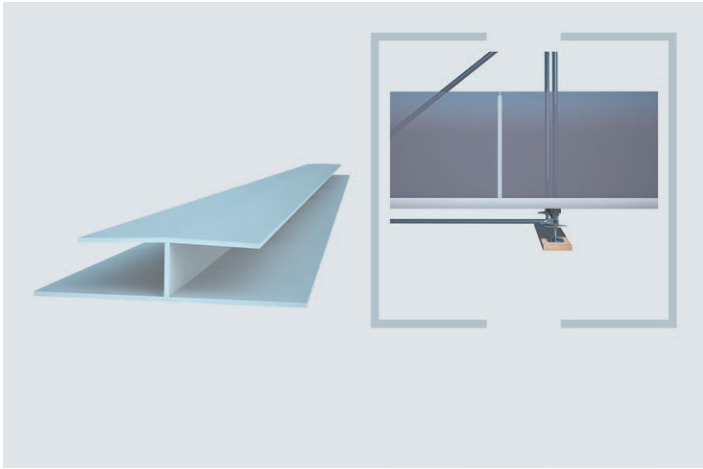
Embossing possible



SCAFFGUARD screen-print panel

Plywood wall panel, impermeable to light. Increased safety in terms of break-through, particularly when fitted e.g. at lower scaffolding levels. Promotional printing possible on request.

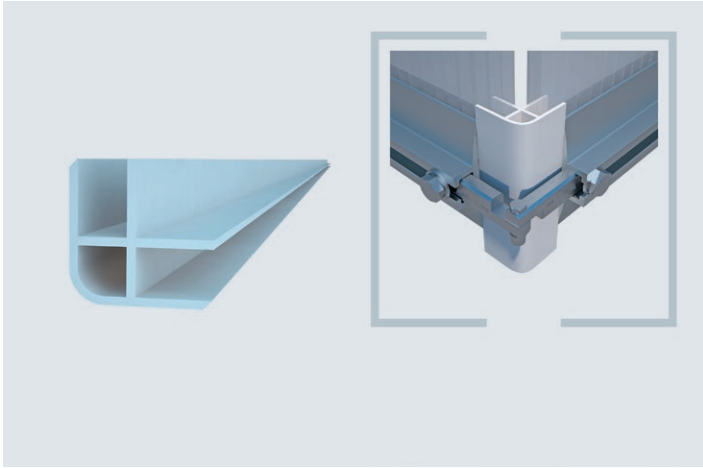
Info	H/L x B (m)	kg	Pack	Part No.	€/each
	2.00 x 0.98		1	07222	68.50



SCAFFGUARD PVC H-shaped joint profile

PVC, white. For the vertical connection of two SCAFFGUARD wall panels within one bay.

Info	H/L x B (m)	kg	Pack	Part No.	€/each
	0.90	0.24	50	07219	3.50



SCAFFGUARD PVC corner profile

PVC, white. For the corner connection of two SCAFFGUARD wall panels within one bay. The profile will need to be shortened to the required length.

Info	H/L x B (m)	kg	Pack	Part No.	€/each
	6.50	2.00	50	07216	35.50



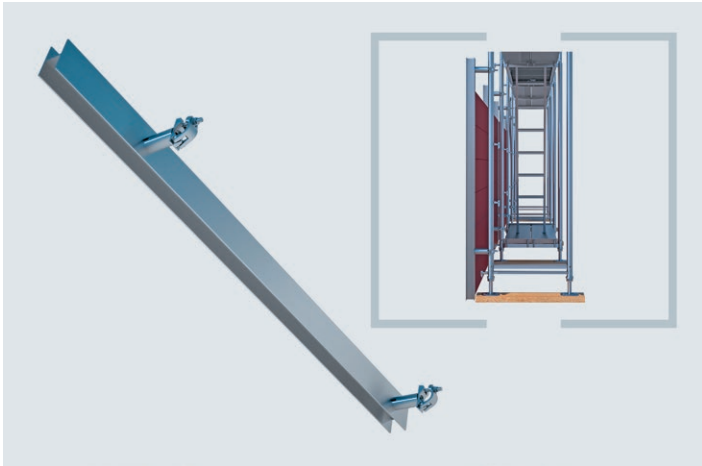
SCAFFGUARD pallet

Stacking pallet for the storage and transport of SCAFFGUARD wall panels. Dimensions: L=2,110 mm (outer), W=1,110 mm (outer), H= 1,050 mm (inner, stacking height 1,000 mm).

Securely welded standards.

For up to 210 m² of SCAFFGUARD wall panels.

Info	H/L x B (m)	kg	Pack	Part No.	€/each
	2.11 x 1.11	56.00	1	07225	215.00 ^①



SCAFFPLANK vertical rail

System-independent wall material for cladding in the case of heavy-duty demolition jobs or as pedestrian tunnel, etc.

For attachment to vertical frames, standards and scaffold tubes.

Rail length 2.00 m. Scaffold boards of all types or even insulation panels up to a thickness of 5 cm can be inserted into the rail's U-shaped profile. The couplers for fitting the rails are welded so as to be asymmetrically offset to enable the scaffolding to be levelled.

Info	H/L x B (m)	kg	Pack	Part No.	€/each
AF 19	2.00	25.40	25	07213_19	105.00
AF 22	2.00	25.40	25	07213_22	105.00

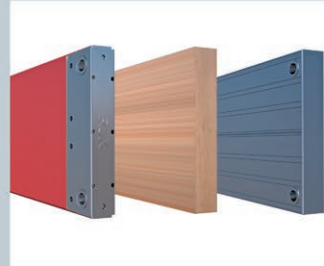
SMART DETAILS



Better protection – SCAFFPLANK protects the building site against unauthorised access and vandalism and offers privacy. The system could also be used e.g. by emergency services.



Only one component – On the other hand, however, it can be used system-independently either horizontally or vertically. Ideally, it can be combined with other cladding systems



In stock – Your decks in stock are unprofitable. In combination with SCAFFPLANK, you will be using your existing material for new applications.



UP, DOWN, OUTSIDE, INSIDE - SAFE!

BUILDING SITE PROTECTION KNOWS MANY DIRECTIONS

Protection is not only important for one's own workforce, but for all the trades to follow and for pedestrians. Many possible hazards can be alleviated from the outset with the right sense of responsibility.

PSA AND HEIGHT RESCUE [01]

Fall protection saves lives – and it is becoming mandatory for an ever-increasing number of applications. We have the approved PSA hardware in our range. This combines to a well-rounded offer together with our regularly-recurring height rescue seminars and corresponding testing schedules.

WARNING MARKINGS [02]

Sharp edges and dangerous corners can be clearly marked with some simple aids or be completely covered and enclosed.

PEDESTRIAN PASSAGES [03]

Pedestrian tunnels can be easily and quickly implemented with the RINGSCAFF system girder: it even incorporates double roof protection and a scaffolding can be built on top – no matter whether it is a modular or façade system.

EVERYTHING FOR SCAFFOLDING SAFETY

REGULAR TRAINING SESSIONS

PSA TESTS

PEDESTRIAN PROTECTION





Premium set

Revolution R2 safety harness incl. fixed back anchorage extension of 0.80 m + Manyard connecting devices with shock-absorbing lanyards + equipment bag. The combination out of lanyard and back anchorage extension (approved as per EN 363) on the Revolution R2 safety harness enables work on scaffold bays up to a height of approx. 3.00 m.

Info	H/L x B (m)	kg	Pack	Part No.	€/each
Size S/M		3.05	1	06120	219.00
Size L/XL		3.20	1	06121	219.00

SNP



Revolution R2 safety harness

Front and back fall arrest anchorage, sharp-edge tested back anchorage extension of 0.80 m, express setting, automatic locking, protected label compartment, comfortable back padding, strap-end clip, integrated accessory system, comfortable elastic DuraFlex straps, swivel joint connection. Corresponds to EN 361.

Info	H/L x B (m)	kg	Pack	Part No.	€/each
Size S/M		1.58	1	06123	179.00 ①
Size L/XL		1.73	1	06124	179.00 ①

SNP Other models on request

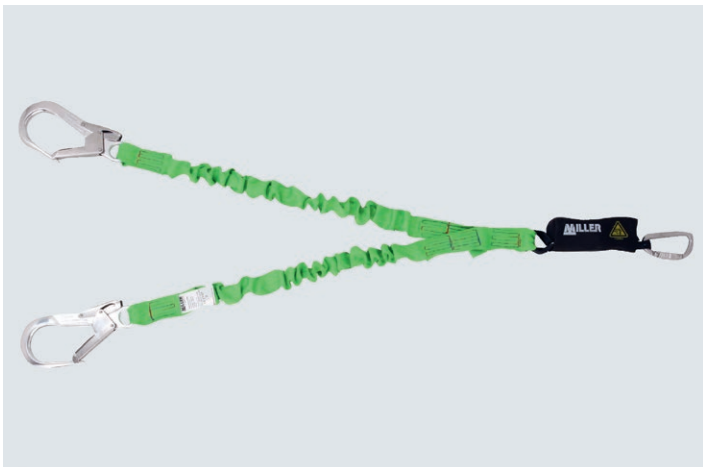


Manyard connecting devices with shock-absorbing lanyards

Sharp-edge tested, swivel design for more manoeuvrability, safety clip for attachment to safety harness, length 2.00 m, scaffold hook 63 mm. Horizontal approval (anchor point at foot height). Protected, new shock-absorbing lanyard package. Teflon-coated (longer service life). Corresponds to EN 354 and EN 355.

Info	H/L x B (m)	kg	Pack	Part No.	€/each
	2.00	1.00	1	06166	78.00

SNP



Twin Manyard connecting devices with shock-absorbing lanyards

Two-piece connecting device with shock-absorbing lanyards. Sharp-edge tested, swivel design for more manoeuvrability, safety clip for attachment to safety harness, length 2.00 m, scaffold hook 63 mm. Horizontal approval (anchor point at foot height). Protected, new shock-absorbing lanyard package. Teflon-coated (longer service life).

Info	H/L x B (m)	kg	Pack	Part No.	€/each
		1.50	1	06139	130.90

SNP


PVC equipment bag (red)

27 cm x 50 cm (D x L)

Info	H/L x B (m)	kg	Pack	Part No.	€/each
		0.40	1	06130	23.50

SNP


Connecting device with shock-absorbing lanyard

Sharp-edge tested, 12 mm woven inner core, 65 mm scaffold hook, length 2.00 m. Horizontal approval (anchor point at foot height). Protected, new shock-absorbing lanyard package.

Corresponds to EN 354 + EN 355 + EN 1891.

Info	H/L x B (m)	kg	Pack	Part No.	€/each
	2.00	1.15	1	06128	80.00

SNP

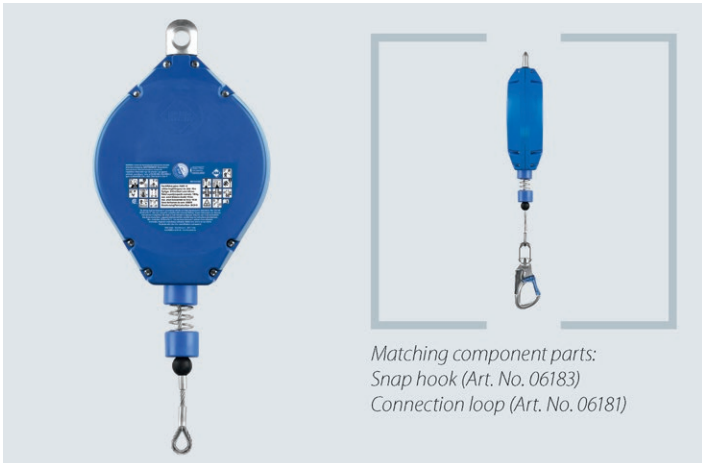

Scorpion fall arrester

Sharp-edge tested, Horizontal approval (anchor point at foot height), rapidly-triggered brake system, stops within a few millimetres, compact and light, length 2.70 m, corrosion-resistant material, Teflon-coated strap (longer service life).

Comes with 63 mm scaffold hook. Corresponds to EN 361.

Info	H/L x B (m)	kg	Pack	Part No.	€/each
	2.70	2.11	1	06127	169.00

SNP



Matching component parts:
 Snap hook (Art. No. 06183)
 Connection loop (Art. No. 06181)

Fall safety protection device

Comes with 18.00 m rope and blue plastic housing. Integrated fall impact absorber, snap hook with turbulence and fall display, with IKV 08. Safety device for horizontal and vertical applications. 15.00 m useful length, edge-tested steel rope.

Please also order: connection loop (Art. No. 06181) and steel snap hook (Art. No. 06183)!

Info	H/L x B (m)	kg	Pack	Part No.	€/each
		6.30	1	06180	357.50

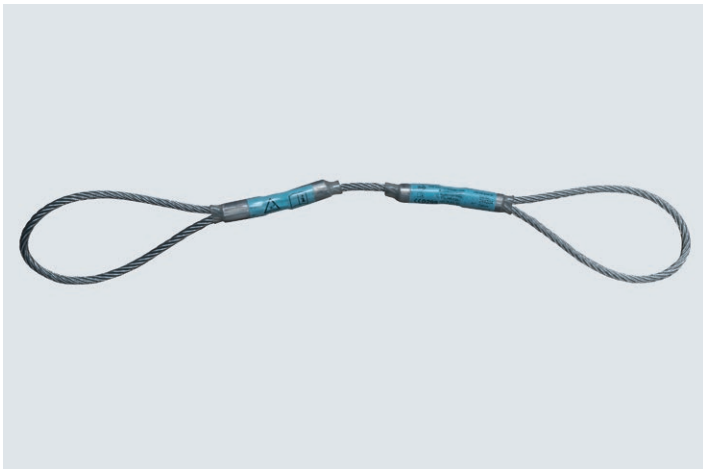
SNP



Snap hook HWPS 18

To be used in combination with the fall safety protection device HWPS 18 and e.g. Manyard or twin Manyard connecting devices.

Info	H/L x B (m)	kg	Pack	Part No.	€/each
		0.27	1	06183	11.25



Connection loop for fall safety protection device HWPS 18

To affix the safety device (lifeline) to the anchorage point on the scaffolding. 6 mm steel rope.

Info	H/L x B (m)	kg	Pack	Part No.	€/each
	0.50 x 0.06	0.20	1	06181	7.80



Rescue set ABS 3 WH

Comes with 20.00 m rope, 1 IK AB 100, 1 IKV 13, 1 telescopic rod, 1 carrier bag (41-RSET/20). Incl. hand wheel and crank to lift. Automatic speed control.

Info	H/L x B (m)	kg	Pack	Part No.	€/each
SC3	20.00	6.20	1	06184	629.00
SC3	20.00	5.69	1	06186	554.00
SC3	40.00	6.20	1	06185	677.50
SC3	40.00	5.69	1	06187	601.50

SNP



Lifeline

Horizontal, mobile fall protection with 20.0 m strap incl. Miller bag.

Info	H/L x B (m)	kg	Pack	Part No.	€/each
		3.50	1	06168	259.50 ①

SNP



Kask helmet

Comfortable work safety helmet:

- High-density, impact-resistant outer shell with drip edge
- 390 g light
- 10 air slits for particularly good ventilation
- Protected by a high-strength, aluminium mesh
- Adjustment by means of hand wheel with rubberised outer ring for enhanced grip
- Adapter clips on the outer shell for the attachment of accessories such as head-lamps and various visors
- Internal padding can be washed at 30°
- Anti-allergic fabric with polygiene treatment prevents the growth of bacteria and bad odours
- Individually adjustable chinstrap with 4 anchor points
- Ring on chinstrap for attachment to belt or work gear
- Universally adjustable from 51 - 63 cm
- Corresponds to EN 397

Info	H/L x B (m)	kg	Pack	Part No.	€/each
white		0.56	1	07133	69.00
yellow		0.56	1	07170	69.00
orange		0.56	1	07171	69.00
red		0.56	1	07172	69.00
green		0.56	1	07173	69.00
british green		0.56	1	07175	69.00
royal blue		0.56	1	07176	69.00
blue		0.56	1	07177	69.00
black		0.56	1	07178	69.00

SNP



Miller helmet

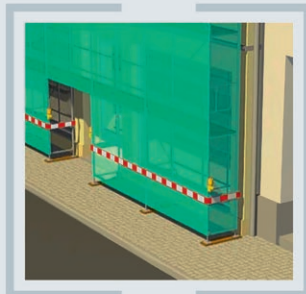
Comes with chinstrap, red, with industrial approval as per EN397.

- Comfortable internal padding and chinstrap
- Good air circulation prevents the formation of moisture
- Universally adjustable from 51 - 61 cm
- Corresponds to EN 397

Info	H/L x B (m)	kg	Pack	Part No.	€/each
red		0.50	1	06134	59.00

SNP

Matching component part:
SCAFFGUARD aluminium rail
(Art. No. 07200)



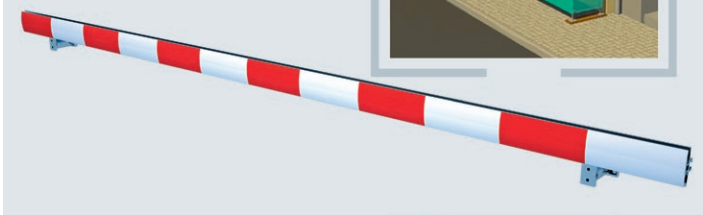
Self-adhesive reflective foil, roll 90 mm x 50 m, red/white

Foil suitable as a warning sign e.g. for pedestrian tunnels. Fits into SCAFFGUARD aluminium rails (Art. No. 07200) for instance.

H/L x B (m)	kg	Pack	Part No.	for order volume of: €/each		
50.00 x 0.09	1.90	1	07240	1: 159.00	10: 128.00	25: 116.00

SNP

NEW





Underlay pad for base jack

Fitted with reflectors, out of plastic material.
H: 0.265 mm x L: 0.235 mm x W: 0.01 mm

Info	kg	Pack	Part No.	for order volume of: €/each		
	0.20	80	05632	1:	3.40	10: 2.45 50: 2.10

SNP



Protective cap for coupler connections

Fitted with reflectors, out of plastic material.

Info	kg	Pack	Part No.	for order volume of: €/each		
	0.12	30	05629	1:	3.80	10: 3.20 50: 2.85

SNP

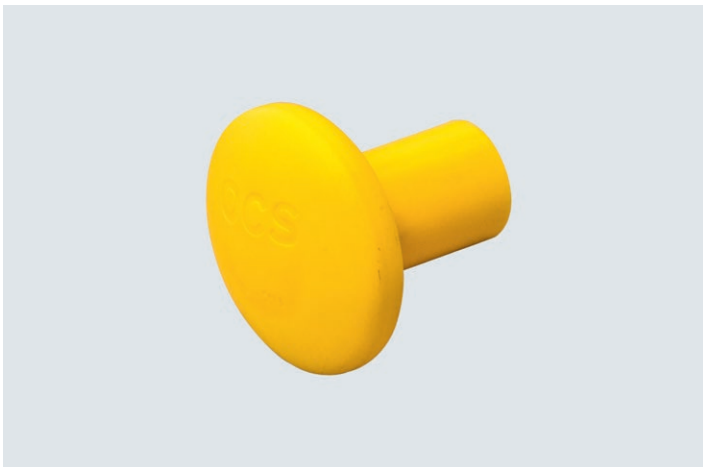


Protective cap for tube ends

Fitted with reflector, Ø 48.3 mm tube.

Info	kg	Pack	Part No.	for order volume of: €/each		
L: 46 mm	0.03	30	05633	1:	2.95	10: 2.20 50: 1.75

SNP



Protective cap for tube ends without reflector

For tubes with an outer diameter of 48.3 mm. To cover up the cut edges.

Info	kg	Pack	Part No.	for order volume of: €/each		
	0.02	30	05634	1:	0.49	10: 0.35 50: 0.29

SNP



Protective cap for tube ends - grey

Out of grey plastic material, for tubes with Ø 48.3 mm.

Info	kg	Pack	Part No.	for order volume of: €/each		
	0.01	100	01220	1:	1.60	10: 1.20 50: 0.95

SNP

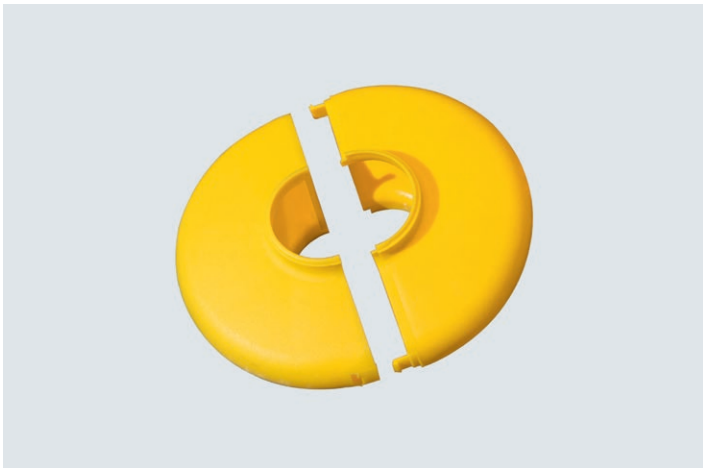


Protective cap for longitudinal tube

Suitable for scaffold tubes with a diameter of 48.3 mm, with reflector.

Info	kg	Pack	Part No.	for order volume of: €/each		
L: 245 mm	0.10	100	05635	1:	2.95	10: 2.20 50: 1.75 ①

SNP



Protective cap for standard rings, complete

Set consists of 2 caps.

Info	kg	Pack	Part No.	for order volume of: €/each		
	0.09	30	05630	1:	3.40	10: 2.45 50: 1.90

SNP

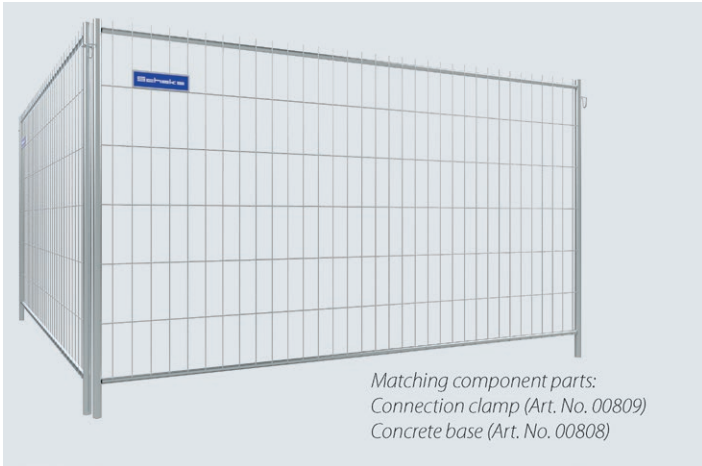


Protective cap for standard rings

Comes with opening for ledgers.

Info	kg	Pack	Part No.	for order volume of: €/each		
	0.06	30	05631	1:	3.40	10: 2.45 50: 1.90

SNP



Matching component parts:
Connection clamp (Art. No. 00809)
Concrete base (Art. No. 00808)

Site fence ROBUST

To secure the building site against unauthorised entry, vandalism and theft and to avoid accidents. Robust, torsion-free steel tube frame with stable 4 mm-thick stanchions out of round steel. Mesh size 100 x 300 mm.

H/L x B (m)	kg	Pack	Part No.	for order volume of: €/each		
3.50 x 2.00	16.00	1	00806	1: 73.00	10: 61.00	25: 55.20 ①

SNP



Connection clamp for mobile site fences

For the simple screw-connection of site fence elements. Depending on the application, at least 4 clamps are necessary to securely affix the adjoining site fences.

H/L x B (m)	kg	Pack	Part No.	for order volume of: €/each		
	0.30	20	00809	1: 4.50	10: 3.75	25: 3.40 ①

SNP



Concrete base

Provides site fence elements with a safe stand. Made out of heavy gravel concrete it comes with 6 holes for a secure arrangement of the fence sections (secure against overturning). Practical grip recesses for ergonomic handling.

H/L x B (m)	kg	Pack	Part No.	for order volume of: €/each		
0.71 x 0.23	36.00	1	00808	1: 14.90	10: 9.80	25: 9.00 ①

SNP

REAL HEROES: TOOLS AND LOGISTICS STUFF

MONEY BEING EARN'T IN THE BACKGROUND!

Ever enjoyed looking for something for an hour? Who hasn't ...
 As our parents used to say: "A tidy house, a tidy mind", we go even one step further: logistics is half the profit! Our pallets, mesh boxes etc. are there to help you earn money.

STORING AND LOADING [01]

Our collapsible stacking pallet is more or less the worst thing you can do to an out-of-control storage depot. But from time to time you need to show just who the boss is! Moreover, we can also be of service with various types of pallets as well as special, customised manufactures.

TOOLS AND INSTRUMENTS [02]

Useful tools for the scaffolder, various ratchet models, measuring instruments – you will find them here!

DIFFICULT TO ALLOCATE [03]

Our concrete blocks are heavy but useful – however, they do not really fit into any specific chapter; that is something they have in common with scaffold ropes. That is why they are detailed here. A kind of ballast, obstacle, a millstone around one's neck. In other words, they do just what they are supposed to do.

EVERYTHING FOR EFFICIENT LOGISTICS

QUALITY TOOLS

MEASURING INSTRUMENTS

AND THE REST





Ratchet wrench

Identical in construction to the Mannesmann ratchet. Special version with steel head and aluminium handle, riveted, extremely robust, heavy-duty design with single socket; length: 31 cm.

Info	kg	Pack	Part No.	for order volume of: €/each		
AF 19	0.80	1	00321	1: 86.00	5: 72.80	10: 68.50
AF 22	0.80	1	00322	1: 86.00	5: 72.80	10: 68.50

SNP



Reversible ratchet wrench

Identical in construction to the Mannesmann ratchet. Special version with steel head and aluminium handle, riveted, extremely robust, heavy-duty design with double socket; length: 31 cm

Info	kg	Pack	Part No.	for order volume of: €/each		
AF 19/22	0.90	1	00326	1: 92.50	5: 76.40	10: 74.20

SNP



Double ratchet with hammer drop-forged ratchet head

Combined tool: ratchet and hammer Drop-forged ratchet head with two hammer faces. Double ratchet, SW 19 and 22. Hammer function for occasional blows. For example: removal of plaster crusts, aligning couplers, unlocking guardrails. No inconvenient change of tool necessary.

Info	kg	Pack	Part No.	for order volume of: €/each		
AF 19/22	0.95	1	05223	1: 43.00	5: 29.50	10: 25.00

SNP



Reversible ratchet wrench – robust version

Scaffold ratchet with extra-long leverage arm for simpler loosening or tightening of collar nuts in the wrench sizes 19 and 22. Made out of high-quality steel with pointed handle for diverse applications.

Info	kg	Pack	Part No.	for order volume of: €/each		
AF 19/22	0.90	1	05218	1: 39.00	5: 25.00	10: 22.00

SNP



Reversible ratchet wrench – standard version

Light and convenient for universal usage; for the wrench sizes 19 and 22.

Info	kg	Pack	Part No.	for order volume of: €/each		
AF 19/22	0.40	1	04657	1: 33.00	5: 19.90	10: 18.00

SNP



Ratchet belt

Made out of real leather with 2-pin fastener. Width 3.8 cm, length 110 cm, thickness 2 mm.

Info	kg	Pack	Part No.	for order volume of: €/each		
	0.10	1	00346	1: 9.90	10: 9.30	20: 9.10

SNP



Ratchet holster

Applicable universally for various ratchet models. Made out of real leather, riveted.

Info	kg	Pack	Part No.	for order volume of: €/each		
L: 70 mm	0.04	5	00347	1: 4.80	5: 4.00	20: 3.50

SNP



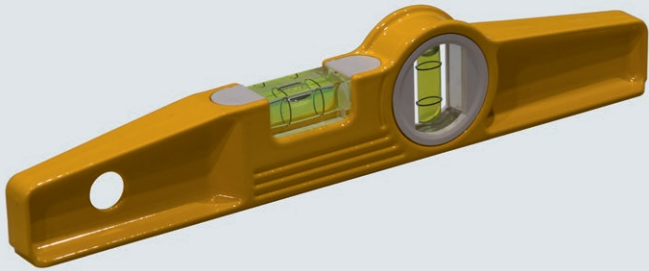
Snap hook

Material Ø 11 mm, steel, galvanised.

Info	kg	Pack	Part No.	for order volume of: €/each		
L: 120 mm	0.19	5	00735	1: 1.76	10: 1.60	20: 1.50

SNP

Matching component part:
Belt pouch (Art. No. 00863)



STABILA spirit level with magnet

Made out of aluminium, easy to handle, extremely robust and impact-resistant. High precision, not only in the normal position but also for overhead measurements. Comes with hole for snap hook. Made in Germany.

H/L x B (m)	kg	Pack	Part No.	for order volume of: €/each		
0.25	0.20	1	00867	1: 34.80	10: 28.90	20: 26.40

SNP



Handler EV 25 pocket spirit level

Robust, magnetic and 25 cm long. The Handler EV 25 (based on the Kapro 923) pocket spirit level is a compact all-rounder.

Level housing out of high-grade solid cast metal. A horizontal vial with markings for the zero position. Vertical vial with Kapro Plumb Site® Dual-View™ Vial: which means that the viewing of the vial can be simply accomplished from the top view. Lower section with precision grinding and equipped with two additional, extra-strong holding magnets. Holes to enable transportation e.g. on a snap hook. Vial housing made out of impact-resistant plastic material.

H/L x B (m)	kg	Pack	Part No.	for order volume of: €/each		
0.25	0.29	1	07028	1: 26.00	10: 21.00	20: 19.00

SNP NEW



Belt pouch – holder for spirit level

STABILA belt pouch 81 SM (08718) for STABILA spirit level (00867N).

Info	kg	Pack	Part No.	for order volume of: €/each		
	0.06		00863	1: 6.50	10: 4.90	20: 4.40

SNP NEW



Toughbuilt hammer holster/ratchet holster CT31A

Designed in USA.
This robust pouch by Toughbuilt is just the right article for all craftspeople having to transport hammer and ratchet or both.
Comes with two compartments.
Belt attachment with convenient Cliptech® adapter.
Main section approx. 9.0 x 4.5 cm, secondary section approx. 5.5 x .2.0 cm.

This holster is particularly suitable for carrying the rather heavy "Mannesmann-like" ratchet. The slightly inclined positioning angle of the holster prevents any immediate falling-out of the tools and enables ergonomic handling. The holster impresses on account of its outstanding robustness and is therefore very popular among carpenters, scaffolders etc. The holster is equipped with an ingenious Cliptech® adapter that enables a rapid removal of the holster from the belt.

H/L x B (m)	kg	Pack	Part No.	for order volume of: €/each		
9.00 x 4.50	0.29	1	07032	1: 25.00	5: 19.50	10: 18.50

SNP **NEW**



Toughbuilt TB52 hammer holster

Designed in USA.
There are many hammer holsters, but this one is simply massive. A robust steel shackle combined with a simple, attachable belt clip out of stable industrial plastic. Steel ring as a hammer holder. Extremely resistant belt clip made of very tough synthetic material in top-quality.
Overall clearance of the steel shackle approx. 5.8 x 5.8 cm.

H/L x B (m)	kg	Pack	Part No.	for order volume of: €/each		
0.06 x 0.06	0.16	1	07031	1: 9.95	5: 9.40	10: 8.80

SNP **NEW**



Toughbuilt pliers pouch

The pouch tapers towards the bottom and is adjustable in length per hook and loop fastener. The main section therefore offers a secure fit and space for various types of pliers. But even compact spirit levels can be well accommodated. Besides the main section, there are a large and two smaller straps to securely hold other tools. The pouch is equipped with the ingenious Cliptech® adapter that enables a rapid removal of the holster from the belt.
Robust work pouch out of nylon fabric with steel ring as a hammer holder.
Belt attachment with convenient Cliptech® adapter.
Main section approx. 14.0 – 16.0 x 8.5 – 5.5 x 3.0 cm.
1 tool strap outside and one small tool pocket.
Length of the hook and loop fastener adjustable.
Designed in USA.

H/L x B (m)	kg	Pack	Part No.	for order volume of: €/each		
0.16 x 0.05	0.29	1	07034	1: 21.00	5: 19.50	10: 18.70

SNP **NEW**



Toughbuilt smartphone pouch TB33

Just the right thing for all craftspeople wishing to carry a smartphone or devices with similar dimensions in a belt pouch.

The spacious main section allows almost all current smartphones and hand-helds to be carried and effectively protects them.

Dimensions: 14,5 x 8,0 x 3,6 cm

A robust metal clip enables rapid and simple removal of the pouch from the belt. Besides the main section, which is secured with an extra-strong hook and loop fastener, a snap hook for keys and two pockets for pens round off the comprehensive design.

H/L x B (m)	kg	Pack	Part No.	for order volume of: €/each		
14.50 x 8.00	0.16	1	07035	1: 22.50	5: 19.50	10: 18.00

SNP

NEW



LED scaffold spotlight Nova 20

Robust plastic housing with convenient, shock-absorbing rubber bordering incl. holder.

This LED construction site floodlight distinguishes itself for 4 specific features:

- 1) Bright light up to 2,000 lumen, two-step adjustment for light intensity (600/2,000 lumen), cordless and mains operation.
- 2) Very robust thanks to special screen design, IP67 protection, easily withstands being dropped from heights up to one metre.
- 3) Colour-Match feature; the light imitates daylight and is therefore ideally suited for painters or coating jobs.
- 4) Flexible positioning of the holder enables free movement.

H/L x B (m)	kg	Pack	Part No.	for order volume of: €/each		
23.50 x 22.00	2.33	1	07408	1: 185.00	5: 160.00	

SNP

NEW



Handler LED cordless working light HLM7

The model HLM 7 is a device which goes well beyond the demands met by a standard DIY article. It is equipped with two lamps that can be switched on and off with the central switch. Contrary to many other models on the market, the main lamp has an output of 4W with a particularly wide light beam, while the front-side lamp with 3W has a more focused beam.

This LED lamp features 3 magnets (one in the foot, and two on the rear side).

The magnets are so strong that they will even hold on circular tubes with a diameter of approx. 5 mm. Additionally, there are two fold-out hooks fitted to the rear side that enable a flexible attachment of the lamp. Further, the lamp can be swivelled by 180° in relation to its foot thereby allowing dazzle-free work irrespective of where the lamp is affixed.

The internal battery is charged by a mini-USB charging device that is included in the scope of delivery:

USB 110 V - 240 V AC/DC 5 V 1 A

1.5 m micro-USB charge cable

Light duration: working light approx. 3 h, inspection lamp approx. 7 h

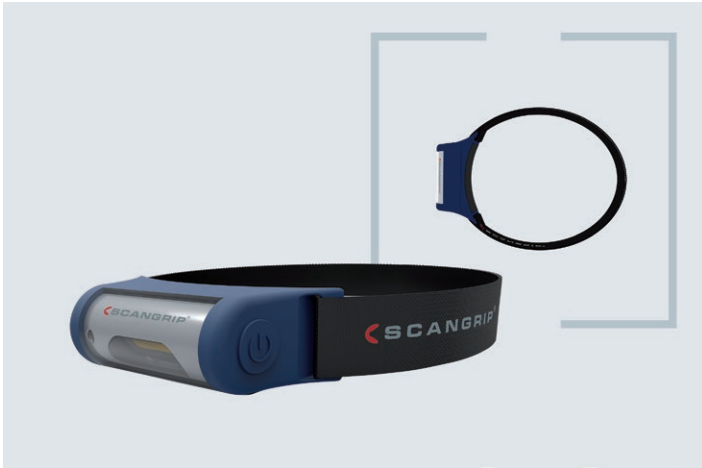
Charge time: approx. 4 h

Dimensions: 26 x 5.1 x 4 cm

H/L x B (m)	kg	Pack	Part No.	for order volume of: €/each		
26.00 x 5.10	0.34	1	07012	1: 27.00	5: 23.50	10: 19.95

SNP

NEW


Scangrip headlamp

This LED headlamp distinguishes itself on account of 4 specific features:
 Very robust thanks to the use of impact-resistant materials and soft outer shell. IP65 protection.
 Strong light up to 200 lumen, two-step adjustment for light intensity (100/200 lumen).
 Extra-wide light beam, wide illuminated area means less turning of the head.

Material, properties and equipment:
 Sensor system, touchless on/off switch (can be disabled)
 Excellent protection against water and dirt
 Useable between -10 and +40 degrees centigrade
 Large buttons so simple to handle – even with thick gloves
 Small and light (120 g)
 Black, woven headband (30 mm wide)
 Lamps and battery data:
 100 lumen (stage 1) / 200 lumen (stage 2)
 Lux at 0.5 m 300 (stage 1) / 500 (stage 2)
 Battery capacity: 6 h (stage 1) / 3 h (stage 2); 3.8 V / 1600 mAh Li-poly
 IK07, IP65

Info	kg	Pack	Part No.	for order volume of: €/each	
	0.15	1	07010	1: 69.00	5: 58.00

SNP NEW


Toughbuilt trestle C700 (pair)

Designed in USA.
 Trestles for working platforms (scaffold frames) or for worktops at building sites e.g. as a support for sawing jobs (1 pair).
 Fold-out legs with a stable stand, height adjustable.
 Powder coated or galvanised surfaces.
 Entire structure out of steel.
 Can be used as a workbench.
 Rubberised and swivel-mounted feet.
 Load up to 1,300 kg as a pair or 650 kg for each trestle.
 Dimensions (when set up): W 101.2 x H 63.5-81.5 x D 54.5-69.5 cm.
 Dimensions (when folded down): B 101.2 x H 14 x T 13.5 cm.
 Pull-out carrying handles.
 Fold-out holder for bars and wooden beams.
 Anti-slip surfaces on the upper sections for convenient processing of workpieces.

H/L x B (m)	kg	Pack	Part No.	for order volume of: €/each	
1.01 x 0.70	22.20	2	07033	1: 178.00	5: 157.50

SNP NEW

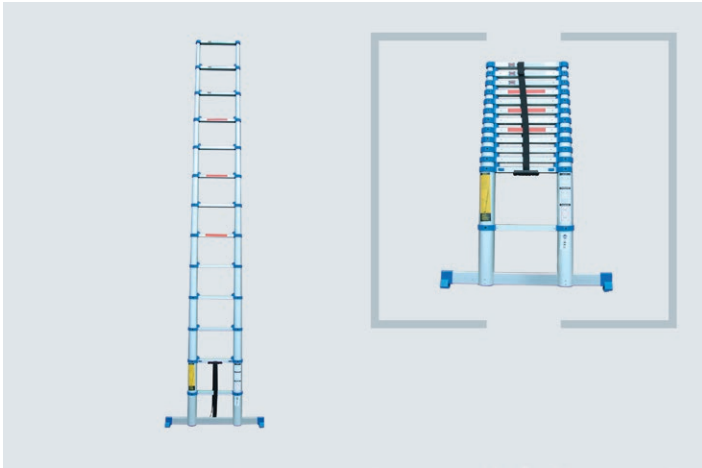

EZSTEP telescopic ladder 3.80 m

Robust aluminium design to meet high demands in terms of durability.
 Packing dimensions: 0.86 x 0.88 x 9.0 cm.
 30 cm distance between the rungs.
 13 rungs and one base transom.
 Manufactured in accordance with the latest EN 131 and TÜV-certified.
 Rubber caps on the feet to prevent any unintentional slipping.
 Load-bearing capacity of 150 kg.
 Can be extended rung-for rung/length adjustable.
 Plastic handle for convenient carrying.
 Slide brake for simple and secure retraction.

As of 1 January 2018, many ladders no longer have an approval for commercial use. This applies in particular for telescopic ladders. The EZSTEP satisfies all relevant standards for commercial use, and this well beyond 2017.

Info	H/L x B (m)	kg	Pack	Part No.	€/each
	3.80	14.80	1	07013	328.50

SNP NEW



ASC telescopic ladder

Robust aluminium design to meet high demands in terms of durability.
 Manufactured according to DIN 131, approved according to NEN2484.
 Load-bearing capacity of 150 kg.
 Extendable by rungs / length adjustable.
 Plastic handle for comfortable carrying.
 Incl. captive Velcro tape as packing protection against unintentional Extension.
 Ladder length when used as a leaning ladder: 3.80 m.
 13 rungs.
 Distance between rungs is about 0.30 m.
 Transport dimensions: 52 x 104 x 12 cm.

Info	H/L x B (m)	kg	Pack	Part No.	€/each
	15.40		1	07001	258.00

SNP NEW



Matching component part:
Steel strapping
(Art. No. 03162)

Dispenser trolley with tray

Transport unit and dispenser for steel band in widths of 9.5–19 mm. Comes with a tray for strapping tool and incidentals.

Info	H/L x B (m)	kg	Pack	Part No.	€/each
		31.00	1	03161	390.00



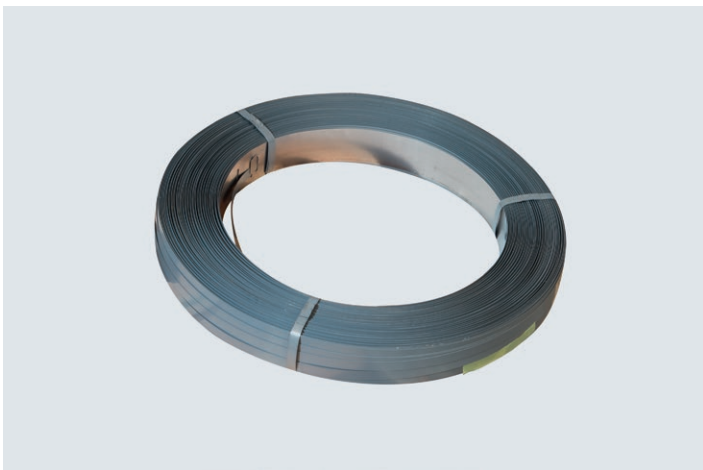
Matching accessories:
Dispenser trolley (Art. No. 03161)
Steel strapping (Art. No. 03162)

Strapping tool

Appliance for the secure and stable bundling of scaffold elements. Important aid when equipping or clearing a building site. Enables orderly and clear circumstances for transport and storage. No sleeves necessary for the closing of the steel band. The crimped band provides seal resistance of some 80–85 % of the band breach load against unintentional opening. For standard steel band width of 16 mm. Other steel band widths on request.

Info	H/L x B (m)	kg	Pack	Part No.	€/each
		4.90	1	03158	895.00

SNP Other models on request

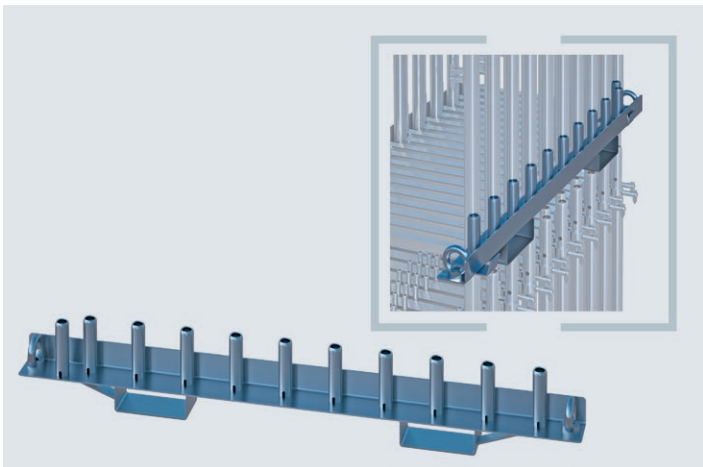


Steel strapping

Steel band 16 x 0.5 mm, galvanised (1 roll approx. 42 kg and approx. 700 m).

H/L x B (m)	kg	Pack	Part No.	for order volume of: €/each		
	42.00	12	03162	1: 82.00	5: 72.00	10: 69.40

SNP



Stacking grid for all scaffolding systems

For 20 vertical frames. Establishes order and provides for a clear overview in terms of storage and transport. Suitable for cranes as well as fork-lifts. Fits for all vertical frames with a tube diameter of 48.3 mm. 2 pieces are required at all times.

H/L x B (m)	kg	Pack	Part No.	for order volume of: €/each		
1.57 x 0.10	16.80	2	01533	1: 109.70	10: 95.60	20: 89.80

SNP

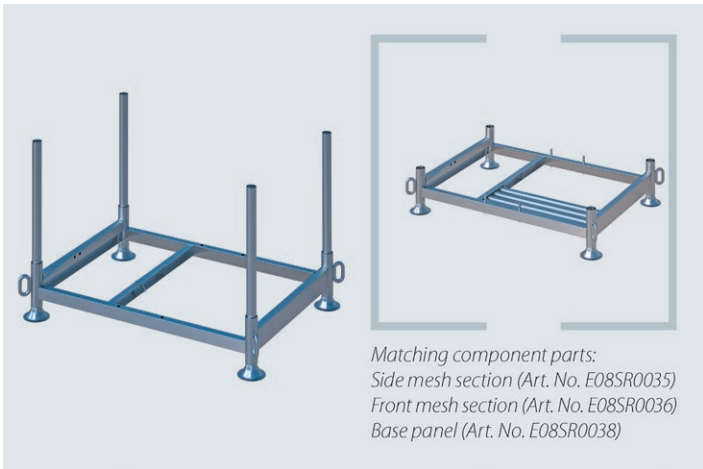


Support profile for stacking grid

In combination with the stacking grids, this article allows 2 or 3 units to be stacked on top of each other. Four pieces are required and they are positioned at the corners and attached to the tube connectors on the vertical frames.

H/L x B (m)	kg	Pack	Part No.	for order volume of: €/each		
1.50	1	1	01534	1: 9.80	20: 8.70	100: 8.20 ①

SNP Other models on request



Duralok stacking rack, collapsible

Simple principle – numerous uses. Space-saving when not in use as it is collapsible. Consists of a base frame and four insertion tubes (diameter 48.3 mm). The insertion tubes can be substituted by longer ones when need be. Designed for fork-lift loading and crane transport. Stackable thanks to the large circular feet that also prevent any sinking into soft ground and protect the contact surface. Payload 1,500 kg; with 4 crane lugs.

Rollers 10 kN (Art. No. 05507) can be used to make the rack manoeuvrable. Duralok side sections (Art. No. E08SR0035) for small parts available as an option.

H/L x B (m)	kg	Pack	Part No.	for order volume of: €/each		
1.25 x 0.85	45.60	20	E08SR0032	1: 210.00	10: 130.00	50: 119.00

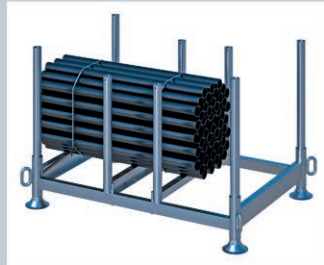
SNP

Matching component parts:
Side mesh section (Art. No. E08SR0035)
Front mesh section (Art. No. E08SR0036)
Base panel (Art. No. E08SR0038)

SMART DETAILS



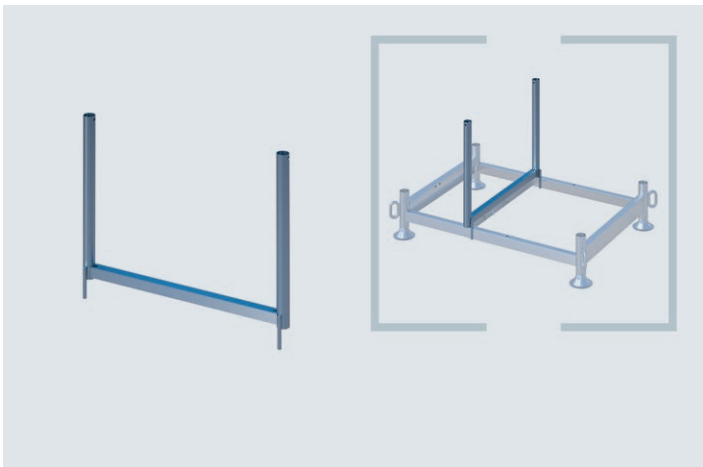
Logistics optimised – stackable,
- Fork-lift removal possible due to offset transoms
- Optional use of castors for the feet



Versatile – The stacking pallet can be adapted to almost any application purpose with add-on component parts.



Complete remodelling – Additional insertion wall sections make a compact mesh box out of the light stacking pallet.



Central insertion frame

An intermediate element for the Duralok stacking rack for the storage and secure transport of short scaffold parts.

H/L x B (m)	kg	Pack	Part No.	for order volume of: €/each		
0.85	7.00	1	E08SR0034	1: 22.90	5: 18.50	10: 16.90 ①

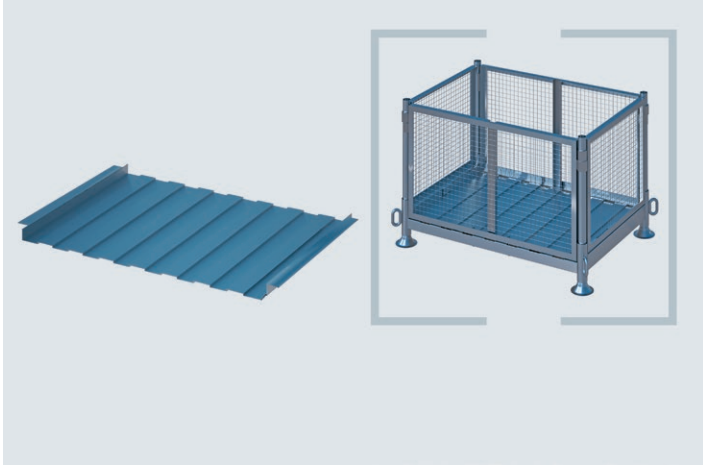
SNP



Duralok mesh box, complete

Duralok stacking rack incl. base panel and side mesh sections. Comes with 4 crane lugs.

Info	H/L x B (m)	kg	Pack	Part No.	€/each
	1.25 x 0.85	109.40	1	E08SR0033	319.00 ^①

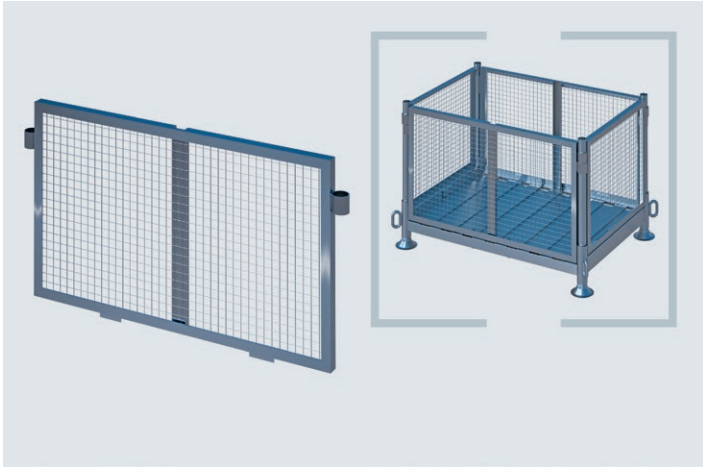


Duralok base panel

Reinforced base panel. As a spare part or for making a mesh box out of a Duralok stacking rack.

Info	H/L x B (m)	kg	Pack	Part No.	€/each
	1.25 x 0.85	19.50	1	E08SR0038	^①

Price on request

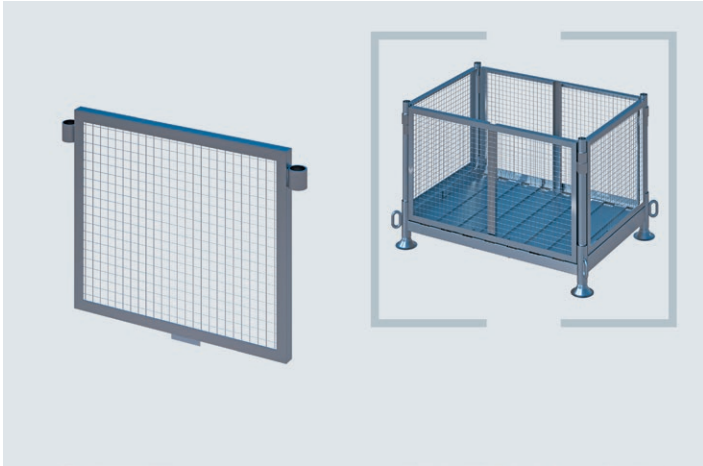


Duralok side mesh section

As a spare part or for making a mesh box out of a Duralok stacking rack.

Info	H/L x B (m)	kg	Pack	Part No.	€/each
	1.25	12.50	1	E08SR0035	^①

Price on request

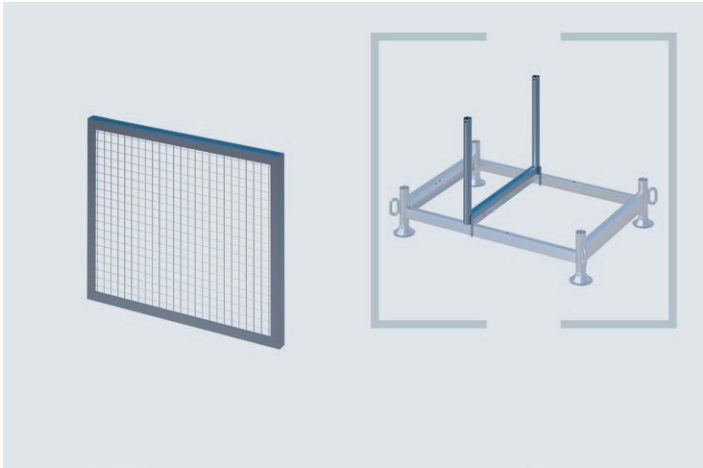


Duralok front mesh section

As a spare part or for making a mesh box out of a Duralok stacking rack.

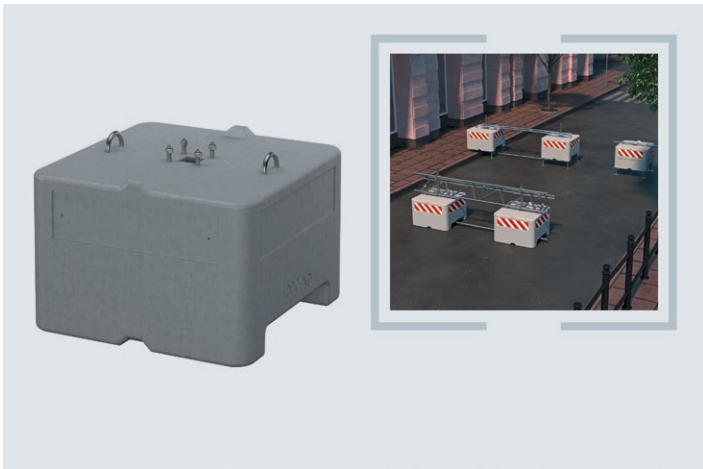
Info	H/L x B (m)	kg	Pack	Part No.	€/each
	0.85	8.50	1	E08SR0036	^①

Price on request



Duralok central mesh section
Partition wall for Duralok mesh box.

Info	H/L x B (m)	kg	Pack	Part No.	€/each
	0.80	7.90	1	E08SR0037	21.90 ①



Blocks of concrete ballast

Enormous diversity, looks good, perfect product design.
Uses: scaffold ballast, protective barrier, cable bridge, advertising medium, building-site safety etc.

The numerous connection alternatives as well as the product design, allowing for a combination of several blocks to a much larger unit, enable a diverse range of applications for events and construction sites. Optimally used as a ballast for freestanding scaffold structures. Here, too, given the many connection possibilities, new options present themselves for making effective use of ballast.

Blocks are available in 600 kg and 1,000 kg alternatives.
Concrete quality: high-performance min. C55/67
Density of normal concrete: 2.4 kg/dm
Surface: exposed concrete
Recommendation: combine a max. of 3 blocks vertically

Features:

- Crane lugs, fork-lift capability
- Spindles or castors can be fitted
- Vertical combination since the blocks interlock with one another or from inserting scaffold tubes through the central scaffold tube opening
- Horizontal connection with scaffold tubes
- Combinable with scaffolding elements such as e.g. lattice girders
- An adapter plate for the central attachment of square elements is optionally available

Advertising:

Can be supplied in RAL colours
Stickers with company logo available

H/L x B (m)	kg	Pack	Part No.	for order volume of: €/each		
0.80 x 0.80	600.00	1	07047	1: 585.00	10: 425.00	20: 375.00
0.90 x 0.90	1,000.00	1	07046	1: 695.00	10: 495.00	20: 445.00

SNP

NEW

SMART DETAILS



Modular – The blocks ideally interlock with one another and can be combined vertically or horizontally to form stable units by using the integrated tube holding fixtures.



Practical – Blocks can be adapted to every scaffolding situation thanks to their many connection options and add-on possibilities – fork-lift optimised. Blocks have a weight

of one tonne and can be perfectly integrated into a company's corporate design through stickers bearing the company's logo or by applying individual colouring.





Scaffold rope

Comes with an eyelet at one side. Made out of a proven sisal/polypropylene mix.

Tear resistance: 480 kg.

H/L x B (m)	kg	Pack	Part No.	for order volume of: €/each		
1.50	0.04		01337	1: 0.66	50: 0.62	200: 0.55
2.00	0.05		01341	1: 0.74	50: 0.68	200: 0.58
2.50	0.06		01345	1: 0.84	50: 0.75	200: 0.66
3.00	0.08		01349	1: 0.91	50: 0.85	200: 0.75

SNP Other models on request

K++ STICKER AS PROOF OF OWNERSHIP
CAN BE INDIVIDUALLY DESIGNED
4-COLOUR PRINT
DIFFICULT TO REMOVE
scafom-rux

STICKS? LOGO!

K++ STICKER AS PROOF OF OWNERSHIP
CAN BE INDIVIDUALLY DESIGNED
4-COLOUR PRINT
DIFFICULT TO REMOVE
scafom-rux

K++ proof of ownership

Individual and simple proof of ownership for new and existing material.

Most stickers can be removed from smooth surfaces quite simply, which makes them unsuitable as proof of ownership.

By contrast, our K++ sticker adheres extremely well to the substrate. Moreover, it cannot be removed in one piece, but only in mini shreds.

Please request our print requirements should you be interested:

4-colour digital print (CMYK)

160 mm x 50 mm (min. quantity 3,000 pieces)

160 mm x 100 mm (min. quantity 5,000 pieces)

Approx. 5 years UV-resistant

Info	H/L x B (m)	kg	Pack	Part No.	€/each
	0.16 x 0.05	0.01	3000	07241	0.80
	0.16 x 0.10	0.01	5000	07242	0.98

NEW

**Spare parts****Ratchet wrench - Mannesmann ratchet****Article No. 00321, 00322****and****Reversible ratchet wrench - Mannesmann ratchet****Article No. 00326, 00328**

Article No.	Article designation	Price €/piece
00345	Aluminium handle	15.34
00344	Housing	51.13
00340	Button-head rivet for handle 5x23 DIN 660	0.51
00329	Double ratchet, wrench dimensions 19/22	40.39
00332	Ratchet, wrench dimension 19	30.68
00333	Ratchet, wrench dimension 22	30.68
00335	Locking piece	15.34
00337	Locking pin	1.02
00342	Pressure spring	0.51
00336	Cover for ratchet wrench	5.11
00341	Button-head rivet for cover 2.5 x 20 DIN 660	0.51
00339	Retaining ring for cover	1.02
00338	Switchover lever	2.05
00343	Pin for switchover lever 2 x 12 mm	0.51



**SERVICE IS OUR HALLMARK,
AND MARKING IS OUR SERVICE FOR YOU!**

Ownership marking is becoming increasingly important – sometimes finance houses and insurers even demand this. But looking on the positive side: a professional external image and advertising impact should not be underestimated!

We offer various forms of material marking ranging from embossing and screen printing to solutions with stickers. Depending on the material, quantities involved and the motifs desired, there are a number of possible options which we would very much like to discuss with you in detail.



COATING METAL EMBOSSING

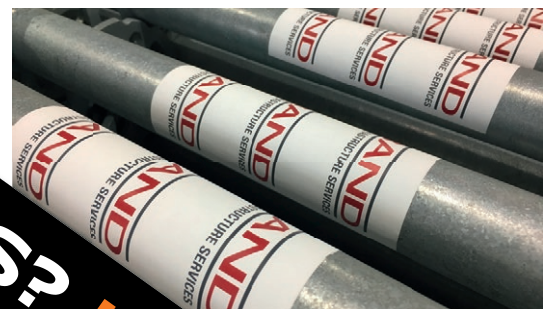
The classic solution for scaffolding! Just get some paint on it. That is exactly what we do with our rental material, too. Also available in fashionable RAL colours for your new material.

We can supply individually embossed steel strip already affixed to the planks if desired. Individually embossed U-shaped caps are also available for SUPER planks.



OUR K++ STICKERS: YUCK!

Our K++ stickers are not quite as tasty as jelly babies, but they are just as colourful and a whole lot stickier – so at least it is two out of three points here! Moreover, they cannot be removed in a single piece, but only in shreds. And the best thing: they are available with your motif in small lot sizes!



**EMBOSSING,
COATING,
STICKERS: LAST!**

Anyone knowing a little about the whole thing, knows that it is not quite so easy to find marking solutions that last for a long time – and that is what is needed, of course. We work together with suppliers that are extremely proficient in the areas of embossing, marking, coating, labelling, adhesion etc.

Ask us to provide you with an individual quotation!



The **technical information** on our K++ stickers can be found in the download section of the scafom-rux.de homepage.



QUICK ON-THE-SPOT ESTIMATE? APP-SOLUTELY NO PROBLEM!

Who doesn't know the situation: an impromptu enquiry and the customer is located along the way, so drive over quickly and have a look at the situation. Then the typical question: "Well, what sort of price can I expect?"

You will always have the answer right in your pocket: namely your smartphone with our scaffold APP. **This enables you to quickly calculate the parts needed for a façade or modular scaffolding as well as stair towers.** A few seconds later the customer has a general idea of the cost and you already have a rough parts list. You could even email us this list directly and make an order out of it. Not exactly unselfish, but still ingenious, isn't it?

CALCULATOR, NEWS + MANUALS

You can access approval documents, technical details and manuals on our website with the APP. Our animations and current scafom-rux news are also available there.

So it is probably a good idea to surf over to the iOS or Android store and download the scaffold APP from there! Free of charge and without any in-app purchases.



NUMEROUS IMAGES, FEW WORDS: SCAFOM-RUX FILMS AND ANIMATIONS

Moving images providing information on the application, assembly and benefits of proven or new scafom-rux products? "Can't do any harm", we thought some years ago. In the meantime, the video library has grown to some 100 clips and the feedback from users proves that they are being readily used.

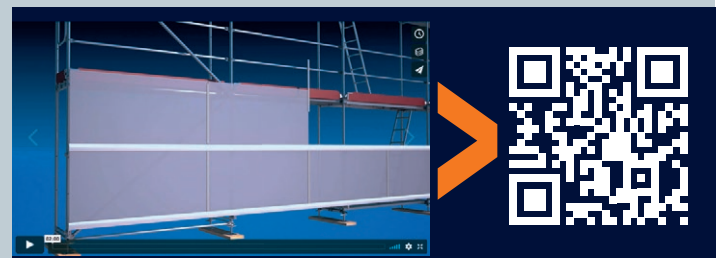
Our movies are available on **Youtube.de** and **Vimeo.com** – and this without any irritating advertising (apart from the film itself, of course). And when things get really tough, you can always use them to keep your interns quiet and happy for a while...

SORTED BY PRODUCT GROUPS, OPTIMISED FOR ALL DEVICES: VIMEO.COM/RUXGMBH/ALBUMS



E.g. SCAFFPLANK building site protection:

Protection against vandalism and noise as well as for passers-by during demolition work can be simply implemented through the use of standard planking that is just inserted into the system-independent SCAFFPLANK rails.



E.g. SCAFFGUARD scaffold cladding:

Economic, system-independent enclosures – and that with a minimal storage requirement. Building sites with scaffolding can be cladded very simply using SCAFFGUARD. System-independent!

MORE THAN 60 YEARS' EXPERIENCE

We have been involved in the manufacture of scaffolding for quite some time now. So it is not really surprising that our product ranges have been consistently adapted to meet market requirements and correspondingly enlarged.

But for all this, we have never lost sight of the fact that the user prefers specific components – namely those that are already in one's own stock. In other words, new products will always be confronted with the same question: "Is everything still compatible?".

Admittedly, we no longer have any parts in our ranges that are compatible with wooden ladder scaffolds... but otherwise we ensure economic product sustainability wherever it makes sense.

Our developments MULTI-ROOF and SCAFFPLANK are just two examples from many in this respect. The MULTI-ROOF solution can be accomplished using existing RINGSCAFF ledgers and in the case of SCAFFPLANK, existing decking can be used to protect the building site.

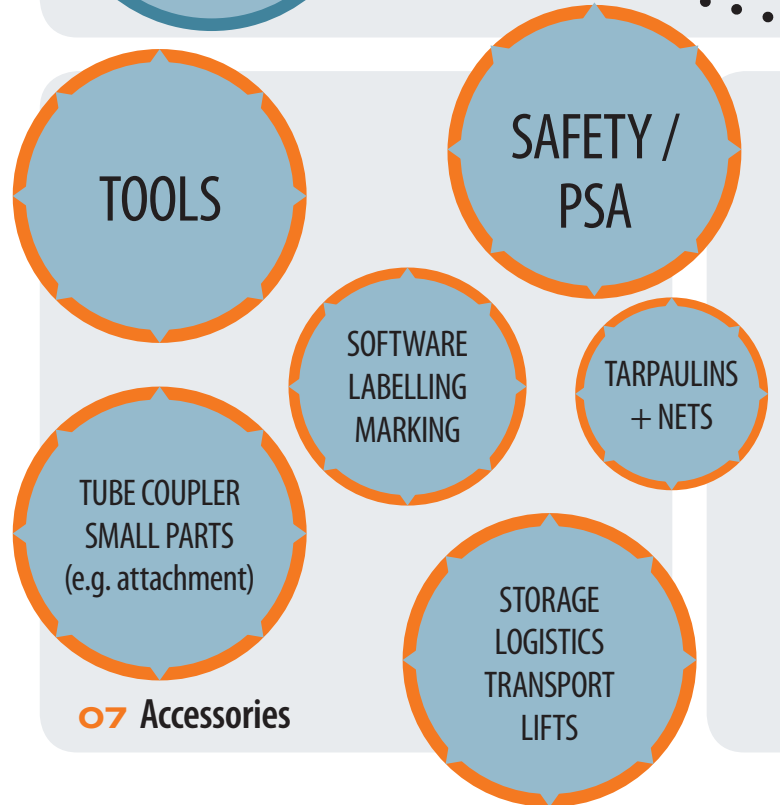
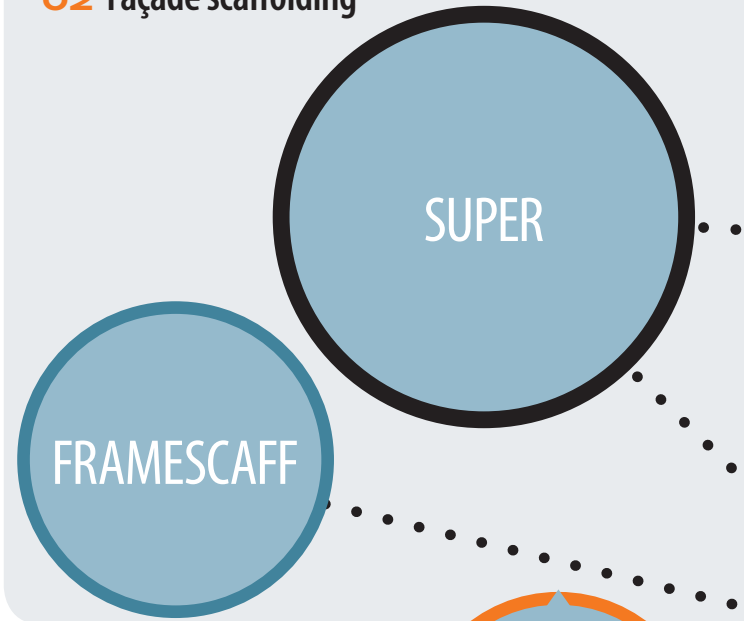
An intensive exchange with scaffold users additionally ensures that new developments really do make the daily work on the building sites easier: e.g. in terms of logistics, assembly and material optimisation and that they are, of course, needs-oriented. After all, you know best what you require in order to get the job done really well.

As an important part of the international scafom-rux group, we are more effective than ever: networked worldwide with specialists from development, manufacturing and application technology, we combine our profound expertise to go one step further in finding the best solution for your great projects. To put it in a nutshell:

SMART DETAILS, GREAT SOLUTIONS!



02 Façade scaffolding

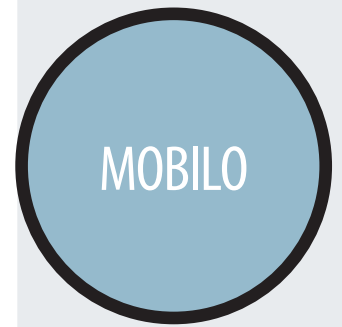
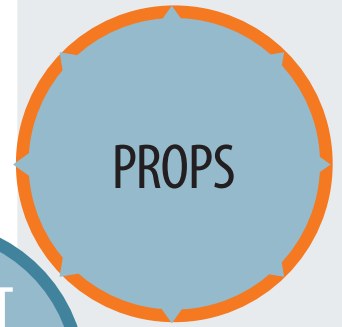
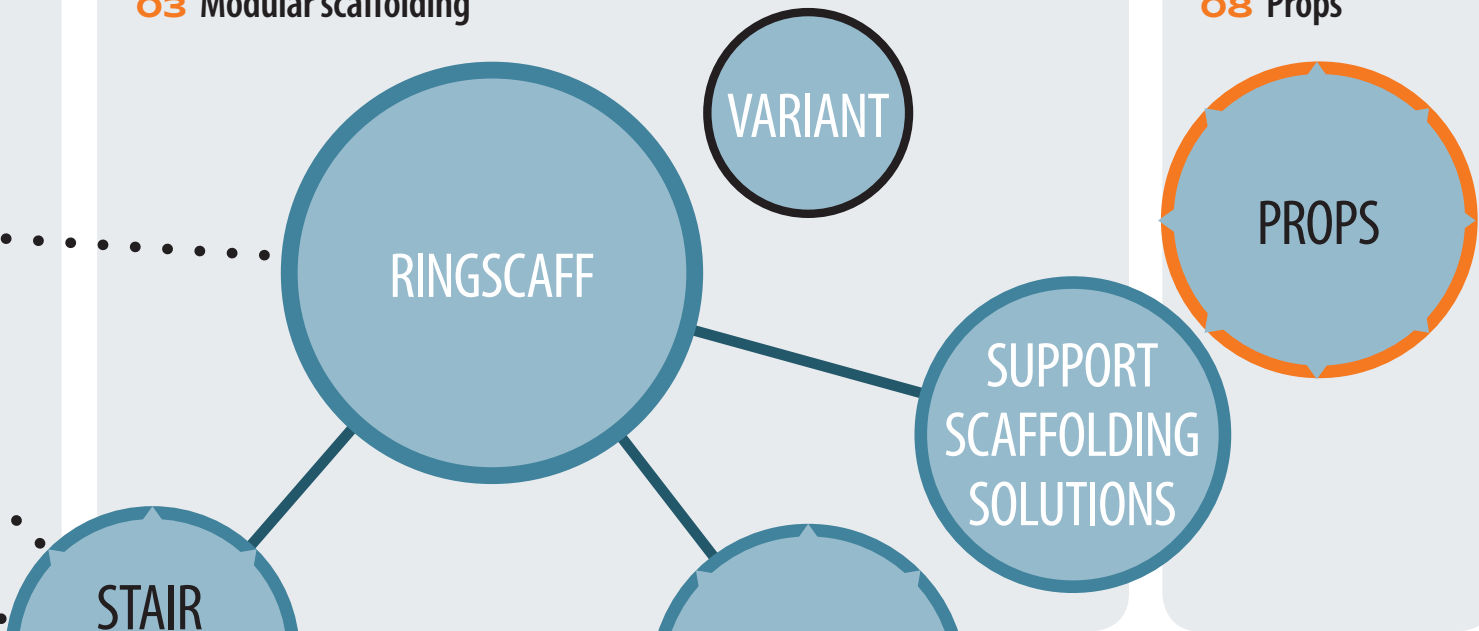


07 Accessories

This overview shows you just how wide our product range is and how well one thing interconnects with the other.

03 Modular scaffolding

08 Props



05 Weather and building site protection

06 Mobile scaffold

99 Category



SYSTEM-ACCOMPANYING

CONNECTABLE

RUX RENTAL - YOUR SCAFFOLD RENTAL COMPANY



RENTING INSTEAD OF BUYING - STAY LIQUID!

FAÇADE SCAFFOLDING, MODULAR SCAFFOLDING, ACCESSORIES, STAIR TOWERS, ROOFING, LIFTS

In times like these, flexibility is absolutely essential if you wish to stay competitive. Renting scaffold material is a real alternative to buying both in terms of material availability as well as when peak order demands have to be met.

Our rental specialists will gladly inform you about when and for whom rental is worthwhile. Simply request our current price list or download it as a PDF directly from our website:

www.scafom-rux.de/download-center

**YOU HAVE THE PROJECT,
 WE SUPPLY THE MISSING
 PUZZLE PIECES**

- **Flexibility both financially and in terms of time**
- **Planning and calculation reliability**
- **Fixed, low monthly payments instead of high investments**
- **Original material in manufacturer quality**
- **Safeguarding of order peaks**
- **Closing investment gaps**

HAMBURG

BERLIN

HAGEN
CENTRAL DEPOT

LEIPZIG

MUNICH



THE RUX RENTAL TEAM
AVAILABLE FOR YOU

Telephone +49 (0)2331 47 09-333
Fax +49 (0)2331 47 09-222
E-Mail rental@scafom-rux.de

RENTAL AND COLLECTION DEPOTS
IN GERMANY

Central Depot Hagen

Neue Str. 7
58135 Hagen
Telephone +49 (0) 2331 4709-333

Rental Depot Leipzig

An der Bahn 11
04319 Leipzig-Engelsdorf
Telephone +49 (0)341 251 38 05

Rental Depot Hamburg

Kulemannstieg 5
22457 Hamburg
Telephone +49 (0)40 54 80 57 48

Rental Depot Berlin

Zobtener Str. 73
10317 Berlin-Lichtenberg
Telephone +49 (0)30 51 58 88-22

Rental Depot Munich

Krautgartenstr. 36
85241 Hebertshausen
Telephone +49 (0)175 50 76 708

GENERAL TERMS AND CONDITIONS OF SALE, DELIVERY AND PAYMENT OF RUX GMBH (AS OF: 2017)

5.1 – Applicability

- These general terms and conditions shall apply exclusively. Any terms and conditions of purchaser that are contrary or different to our terms and conditions shall not apply unless they have been expressly confirmed in writing. Our general terms and conditions of sale, delivery and payment shall also apply when we effect unconditional delivery to the purchaser although we are aware that the purchaser's terms and conditions are contrary or different.
- Our general terms and conditions of sale, delivery and payment shall also apply for all future transactions with purchaser.

5.2 – Offers

- The offers and quotations we make shall be subject to confirmation in all parts.
- We reserve ownership rights as well as copyrights to illustrations, drawings, calculations and other documents. The documentation mentioned may not be made accessible to third parties without our express written consent.

5.3 – Prices and terms of payment

- Insofar as nothing to the contrary has been agreed, our prices are quoted "ex works" excluding packaging and freight, which will be invoiced separately.
- All prices we quote are net amounts that are subject to value added tax at the statutory rate valid on the date of invoicing.
- Insofar as nothing to the contrary has been agreed contractually, the purchaser shall be deemed as in default at the latest 30 days after receipt of invoice or request for payment unless default has come about earlier on account of a reminder or overdue notice. The purchaser shall not be entitled to deduct discount without any specific written agreement in this respect.
- The purchaser shall only be entitled to offsetting rights when same's counter claims have been established in law, are undisputed or have been recognised by us. Moreover, the purchaser shall only be authorised to exercise a right of retention when the counter claim is based on the same contractual relationship as the claim for payment.
- An administration fee of EUR 20.00 will be levied on orders below a minimum order value of EUR 50.00.

5.4 – Delivery and delivery period

- The periods and dates we indicate for delivery and execution shall be deemed as approximate unless a fixed deadline or date has been expressly assured or agreed. When shipments have been agreed, delivery periods and delivery dates shall refer to the time when the goods are handed over to a forwarding agent, carrier or other third party commissioned with the transportation.
- Should we be late in effecting delivery for reasons we are responsible for, purchaser's claims to compensation for the damage caused by the delay shall be limited to an amount of 0.5 % of the value of the delivery for each completed week of delay and to a maximum of 5 % of the value of the delivery. This limitation shall not apply when the delay has been caused with intent, by gross negligence or through the infringement of significant contractual obligations (these are obligations that need to be fulfilled to make the proper performance of the contract at all possible in the first place, whose observance our contractual partner may normally rely on).
- Both claims to compensation on the part of the purchaser for delays in delivery as well as claims for compensation in lieu of delivery going beyond the limits mentioned in Clauses 1. and 2. shall be excluded in all cases of delayed delivery, even after expiry of a deadline that may have been set us for delivery. This shall not apply in cases of intent, gross negligence or injury to life, body or health where liability is mandatory; an amendment of the burden of proof to the disadvantage of the purchaser is not associated with this. The purchaser may only withdraw from the contract within the framework of the statutory provisions when we are responsible for the delay in delivery.
- The purchaser shall, upon our request, be obliged to state within a reasonable period whether it will withdraw from the contract and/or demand compensation in lieu of performance or insist on performance as a result of the delay in delivery.
- Should the purchaser be in default of acceptance or infringe against other cooperation obligations, we shall be entitled to demand compensation for the resulting damage and, in addition, for any additional expenses incurred. In such cases, the risk of an accidental loss or deterioration of the purchased item(s) shall pass to the purchaser at that moment when same is in default of acceptance.
- Acts of God or operational disruptions affecting either us or our suppliers that, through no fault of our own, temporarily prevent us from supplying the contractual object(s) at the agreed time or within the agreed period shall correspondingly move backward the dates and prolong the periods mentioned in Clauses 1 to 5 of this paragraph by the duration of the default caused by these circumstances. The purchaser may withdraw from the contract if such disruptions result in a postponement in delivery of more than four months. Other cancellation rights shall remain unaffected by this.
- The adherence to agreed delivery dates or legally set delivery periods presupposes that we are supplied by our sub-suppliers punctually with the ordered input material or purchased parts necessary for the fulfilment of the order commissioned (reservation of self-supply). Should we not be able to adhere to agreed or set delivery periods as a result of non-punctual delivery from our sub-suppliers, we shall not be deemed to be in default when the input material was ordered in good time and we have otherwise made every reasonable effort to ensure punctual delivery of the input material.

5.5 – Transfer of risk

- Insofar as nothing to the contrary has been contractually established, "ex works" delivery shall be deemed as agreed. This shall also apply when the purchased item(s) is/are dispatched to another address at the request of the purchaser. The risk shall transfer to the purchaser when the purchased item(s) is/are handed over to the transport party.
- We shall take out transportation insurance for the delivery if this is requested by the purchaser; the costs resulting for this shall be borne by purchaser.
- The material is normally supplied unpacked and unprotected against rust. In the case of packed material, the purchaser assumes the obligation of unpacking and disposing of the packaging at own expense.

5.6 – Warranty claims

- Warranty rights on the part of the purchaser are subject to it having properly exercised its inspection and complaint obligations pursuant to § 377 HGB (German Commercial Code). § 377 HGB shall also apply correspondingly when we are to purely perform work on behalf of the purchaser. Additionally, the delivered goods are to be properly and correctly stored, processed and used. Correct and proper storage of wooden material, for example, means it is appropriately ventilated. A correct and proper handling of scaffolding when it is assembled or disassembled necessitates compliance with all prescribed technical provisions including the DIN standards as well as observation of all approval requirements and state guidelines.
- Insofar as the purchased item(s) is/are faulty, we shall always be provided with an opportunity of putting things right first (supplementary performance) as per § 439 BGB (German Civil Code).
- Should we not be willing or able to rectify the situation or should such supplementary performance be delayed beyond a reasonable period of time on grounds that we are responsible for, or should supplementary performance be unsuccessful for other reasons, the purchaser shall be free to decide whether to withdraw from the contract or to demand a lowering of the purchase price (reduction).
- Insofar as nothing to the contrary has been agreed below, more far-reaching claims on the part of the purchaser – irrespective of the legal grounds – shall be deemed excluded. We are not therefore liable for claims that do not concern the delivered item itself: in

particular, we are not liable for missed earnings or other financial losses of the purchaser. The above exemption from liability shall not apply when the damage was caused through intent or gross negligence or in cases of injury to life, body or health. Similarly, it will not apply when we have assumed a guarantee for the quality of the item or its durability. The above exemption from liability shall again not apply to damage caused as a consequence of the culpable infringement of significant contractual obligations (these are obligations that need to be fulfilled to make the proper performance of the contract at all possible in the first place, whose observance our contractual partner may normally rely on). Insofar as it is not a case of intent or gross negligence or that we have assumed any guarantees, our liability in such situations shall be limited in terms of its amount to the level of foreseeable damage typical for this type of contract.

- Any warranty claims on the part of the purchaser shall be barred after twelve months. This shall not apply when longer periods as per § 438 [1] No. 2 BGB (Construction Work and Objects for Construction Work), § 479 [1] BGB (Right of Recourse) and § 634a [1] No. 2 BGB (Construction Defects) are required by law.

5.7 – Total liability

- More far-reaching liability for compensatory damages and reimbursement of expenditure than that envisaged in § 6 – irrespective of the legal nature of the asserted claim – shall be deemed excluded. This provision shall not apply to claims that are filed against us pursuant to §§ 1 and 4 of the Product Liability Act. Similarly, the exclusion of liability shall not apply in cases of intent, gross negligence, injury to life, body or health or when significant contractual obligations are infringed (these are obligations that need to be fulfilled to make the proper performance of the contract at all possible in the first place, whose observance our contractual partner may normally rely on). However, the amount of the claim for damages in the event of infringement of significant contractual obligations shall be limited in terms of its amount to the level of foreseeable damage typical for this type of contract insofar as it is not a case of intent or gross negligence or there is liability on account of an injury to life, body or health. An amendment of the burden of proof to the disadvantage of the purchaser is not associated with the above provisions.
- Insofar as our liability is excluded or limited, this shall also extend to the personal liability of our employees, workforce, staff members, representatives and agents.

5.8 – Retention of title

- We reserve the right of ownership to the purchased item until full payment of the purchase price including the incidental expenses (freight, packing etc). In the event of any behaviour on the part of the orderer that is contrary to the contractual obligations, in particular in a case of default in payment, we shall be entitled to withdraw from the contract and take back the purchased item. We shall be authorised to remarket the purchased item after taking it back. After deducting the appropriate amount of remarketing costs, the remaining proceeds shall be set off against the obligation of the orderer.
- The purchaser shall be obliged to treat the purchased item(s) carefully. Same shall insure such at own expense against fire, water and theft with the insured sum being adequate to cover the replacement value. The purchaser shall carry out any service and maintenance work that may be or become necessary in good time and at own expense.
- The purchaser shall be obliged to notify us immediately in writing of any seizure or other interventions of third parties. In such cases, the purchaser is also obliged to support us in full in the court and out-of-court assertion of our rights, in particular to furnish us with the necessary documents.
- The purchaser shall be entitled to resell the purchased item(s) in the ordinary course of its business. However, the purchaser here-with already assigns all its claims against its customers or third parties arising from such reselling in the amount of the final invoice amount (including VAT). This assignment shall apply irrespective of whether the purchased item(s) is/are resold without or after being processed. We herewith accept such assignment. The purchaser shall remain entitled to collect its claims within the framework of its ordinary course of business. This entitlement shall lapse when the purchaser does not meet its payment obligations out of the proceeds received, or when same defaults in payment. It also lapses when application is made for the opening of insolvency or composition proceedings on purchaser's assets or when the purchaser suspends payments. In such cases, we shall be entitled to collect the assigned claim ourselves. The purchaser shall be obliged to provide us with all the necessary information and associated documents to enable collection. In such a case, the purchaser shall also be obliged to notify the debtor (third party) of the assignment.
- The processing or transformation of the purchased item(s) is always done on our behalf by the purchaser. If the purchased item(s) is/are processed with other objects not belonging to us, we acquire co-ownership of the new item in the relation of the value of the purchased item(s) to the other processed item(s) at the point in time of processing. Incidentally, the same shall apply to the object(s) created in the processing operation as for the purchased item(s) supplied under retention of ownership.
- If the purchased item(s) is/are inseparably combined with other objects not belonging to us, we acquire co-ownership of the new item in the relation of the value of the purchased item(s) to the other combined item(s) at the point in time of processing. If combination has meant that the object of the purchaser is to be considered the main item, it shall be deemed as agreed that the purchaser proportionately transfers co-ownership. The purchaser shall safe-keep the resulting sole or co-ownership on our behalf.
- At the request of the purchaser we undertake to release the collateral we are entitled to when the realisable value of the collateral exceeds the claim to be secured by more than 10%. We shall select the collateral to be released at our own discretion. In such cases, the purchaser shall mark the scaffolding material in its possession in such a way that it is possible to unambiguously identify the material still standing in our ownership. Should the assignment of claims be waived, the purchaser shall be obliged to previously disclose all its claims resulting from the sale of scaffolding material.

5.9 – Place of fulfilment, applicable law and place of jurisdiction

- Insofar as nothing to the contrary has been agreed contractually, the place of fulfilment shall be the registered offices of the company. These are located in Hagen.
- The law of the Federal Republic of Germany shall apply exclusively to all business relations with us. Application of the UN Convention on Contracts the International Sale of Goods shall be deemed excluded.
- Insofar as the purchaser is a qualified businessperson, the courts of the Federal Republic of Germany shall have international jurisdiction in the event of any legal disputes. The place of jurisdiction shall in all events be the location of our company. We are however entitled to bring proceedings against the purchaser at same's general place of jurisdiction. This competency provision shall also apply for claims arising out of bills of exchange or cheques.
- Should the purchaser infringe against VAT law provisions, in particular with regard to stating a VAT ID number, the purchaser shall be obliged to compensate us for any taxation disadvantage thus ensuing. We reserve the right to file more far-reaching claims for damages.

5.10 – Final provisions

Should these general terms and conditions of sale, delivery and payment contain any loopholes, it shall be deemed as agreed that they be replaced by such legally effective provisions that the parties to the contract would have agreed upon in view of the commercial objectives of the contract and the purpose of these general terms and conditions of sale, delivery and payment if they had known about such loopholes.

ORDER FAX

**Simply copy the fax form,
fill it in and fax it to:
+49 (0) 2331 4709-222**

Firm:

Street:

Country/Postcode/Town:

Purchaser:

Customer No.:

Tel.:

Fax:

Email:

ORDER / **ENQUIRY**

Order confirmation/Please send offer by post / by fax / by e-mail

Goods designation	Article No.	Quantity	Unit price €	Value of goods €
Order value €				

Date:

Delivery address:

Street:

Country/Postcode/Town:

Contact person on delivery:

Tel.:

The General Sales, Delivery and Payment Terms and Conditions of RUX GmbH shall apply. Any secondary agreements, subsequent amendments or other assurances that may have been made will strictly need to have been confirmed in writing to be valid.

Stamp/Signature:



**SMART DETAILS
ACCESSORIES** | SYSTEM-INDEPENDENT

MODULAR SCAFFOLDING
FAÇADE SCAFFOLDING
WEATHER PROTECTION
BUILDING SITE PROTECTION
MOBILE SCAFFOLDS
PROPS
ACCESSORIES
IDEAS

**SMART
DETAILS
GREAT
SOLUTIONS!**



APP



Vimeo | YouTube



FACEBOOK



SCAFOM-RUX.DE

scafom-rux Deutschland · RUX GmbH
Neue Str. 7 · 58135 Hagen · Germany
T +49 2331 4709-0 · info@scafom-rux.de

 **scafom-rux**